

PT YKK AP INDONESIA

ENGLISH VERSION

JUL 2025

YKK
ap[®]

FOR HIGH - RISE
(1200Pa)



MADDELA-H

MADELA



MAKE DELIGHTFUL LIFE

MADELA is our product series that provides sufficient quality at a reasonable price based on the concept of “Simple and Easy”. It continues to grow its lineup and improve to meet the demand of Indonesia’s middle-up market.

| PROJECT REFERENCE



PROJECT REFERENCE



Project Photo: Ayana Segara Hotel, Bali

TABLE OF CONTENTS

Content	1
High Waterproofness Achieved by YKK AP	2
Windows For Next Generations	3
Product Features	4
MADELA Special System	5
Parts Information	6
Performance	7
Product Lineup	8
About MADELA	9
Precautions	10
Sliding	11
Sliding Flat Sill	35
Fix Update	51
Top Hung Update	63
Top Hung Friction Stayless Update	79
Casement Update	95
Door With Sill	111
Continuous Windows NEW	119

HIGH WATERPROOFNESS ACHIEVED BY YKK AP

To ensure there is no water leakage with windows is very important not only for your comfortable life but also for your value of the property. YKK AP make effort to achieve high waterproofness.

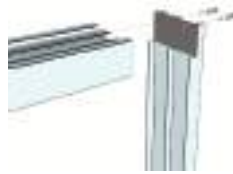
W Proof Joint

General metal joint (Bar window)



Sealant application after jointing

Normal metal joint (Other company FG)



Using a rubber Sealer pad
*Only Solid rubber

YKK AP performance products

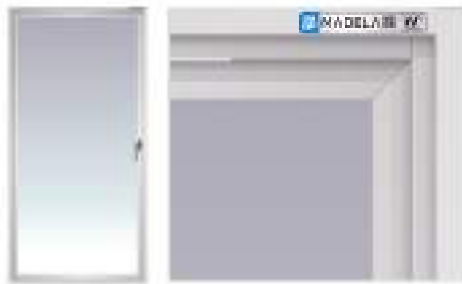



Using Sealer pad with *SAP Material

Junction factor Water leakage ratio:
More than 10%
(API research)

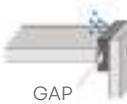
Junction factor Water leakage ratio:
Less than 3%
(API research)

Junction factor Water leakage ratio:
Less than 1%
(API research)






Secret of W Proof Joint



GAP

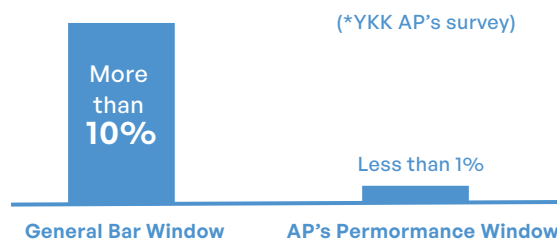


SAP Effect

*Logo "W Proof Joint" expresses high Waterproofness by SAP technology. Trademark registration has been applied.

*SAP: Super Absorbent polymer using Japanese diaper technology. Sealer pad with SAP material will swell and securely fill the gap to achieve optimum water stopping performance.

Water Leakage Rate (Caused by Window Factors)



- The water leakage rate of the bar window is 10% or more.
- The ratio is greatly reduced for bar windows with standardized waterproof parts.
- The risk of water leakage due to window factors is almost 0 for products processed by manufacturers.

Water Tightness Test at In-house Testing Center

We test water tightness of our products in our own Testing Center, and confirm the performance before product delivery. In Indonesia, this test is possible only in YKK AP.



Test for Apartments / High Rise
200 Pa (Wind Speed = 18.1m/s) × 15 minutes

Test for Landed Houses / Low Rise
100 Pa (Wind Speed = 12.8m/s) × 15 minutes

WINDOWS FOR NEXT GENERATIONS

“SIMPLE AND EASY”

Reliable Quality

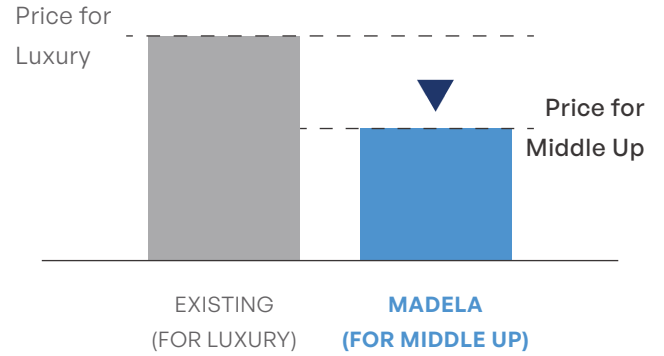
- YKK AP Original Hardware



YKK AP Original Hardware are used for the main parts

Affordability

- Price Suitable For Middle Up Zone



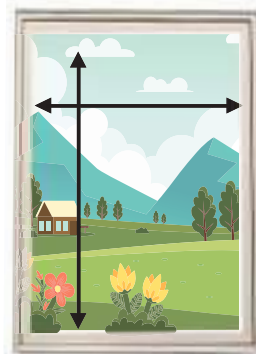
Simple Design

- Not Obstruct The Scenery



GENERAL WINDOWS

Glass Area
14% up



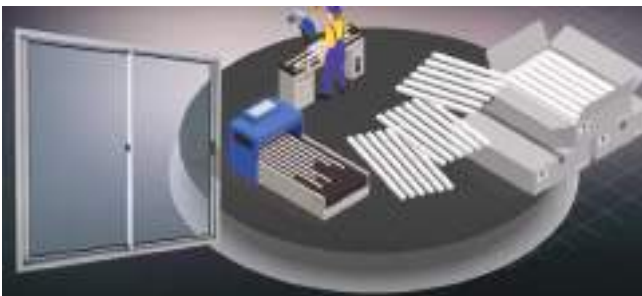
MADELA

Slim stile with
Sufficient strength

*Comparison condition:
Top Hung 900x1200

Height Processing Accuracy

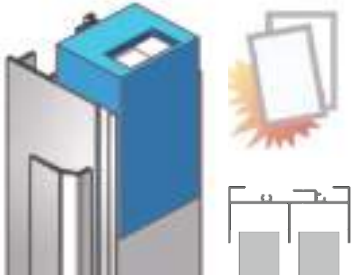
- Products are processed with high accuracy in AP Factory



PRODUCT FEATURE

Safety Consideration

- Anti-Lift Device



Anti-Lift device is set standard for both inner/outer shutters to prevent the shutters from falling out of position

- Safety Cap For Interlocking Stile



Prevents injuries caused by accidents during cleaning, normal use, and accidents

Operating Parts

- Easy-To-Use

Crescent
(With lock knob)



Raise the lock knob



Turn the handle to unlock

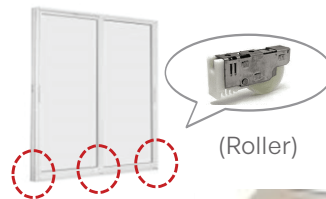
Hook Lock
(Flat design)



Pictogram

Unlock
↑
Lock
↓

- Smooth Sliding And Highly Durable Roller



(Roller)



Adjustable height
(+3 mm)



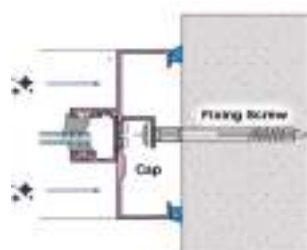
Rollers can be replaced without dismantling the shutters

After 20,000 times of opening and closing, there were no disorder for operation

Beautiful Finishes

- Compatible With Thin Walls

Neat and Clean Look
Non Visible Fixing Screw



1. Since it is screwed with the core of the wall, the wall will not break
2. Clean fit with no visible screws or caps

MADELA SPECIAL SYSTEM

The Advantage of 90° Joint Stile in Top Hung & Casement



MADELA's TOP HUNG & CASEMENT windows have VERTICAL STILE (90° Joint) which has neat and sharp appearance and easier to cut and assemble.

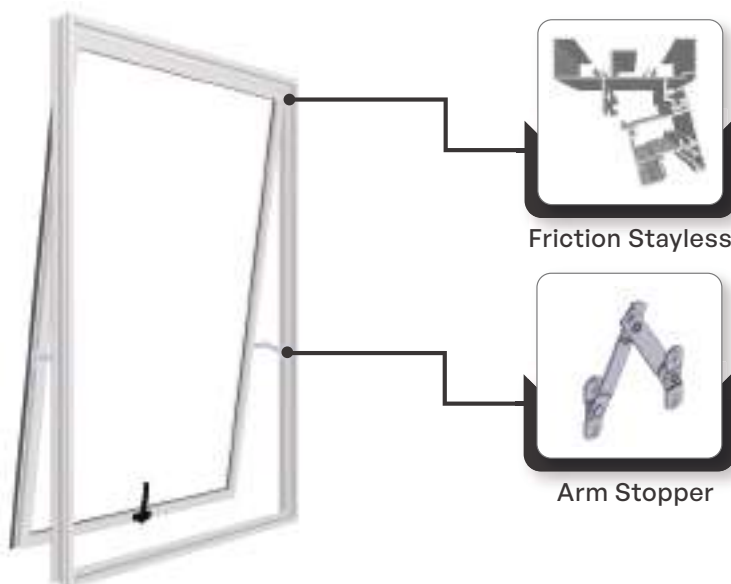
- ✓ SHARP APPEARANCE**
Vertical Stile emphasizes vertical lines, unity in multiple lines.
- ✓ ADJUSTABLE WIDTH**
Easily cut in site (current stile cannot be adjusted easily)
- ✓ BETTER PERFORMANCE**
Even with aluminium's shrinkage feature, water does not easily leak
- ✓ WIDER GLASS AREA**
Slim stile for 14% wider scenery view than general window while keeping sufficient strength.

*Comparison condition: Top Hung 900x1200

Top Hung Friction Stayless **NEW**

• Friction Stayless

Indonesia first innovation for using dedicated profile hinge for friction stayless top hung.



Friction Stayless

Does not use friction stay, so there is no deterioration of movement due to rust.






Safety **✓**

Arm Stopper keeps the appropriate the opening width.

PARTS SPECIFICATION

Parts Matrix

WINDOW TYPE	SLIDING (ALL TYPE)			DOOR (ALL TYPE)			
	CATEGORY	HANDLE		HANDLE SET			
		STANDARD	OPTIONAL		OPTIONAL		
			CRESCENT LOCK	HOOK LOCK		LEVER HANDLE	MORTISE
WITHOUT KEY	WITH KEY Double Sided						
PARTS							
COLOR OPTION	L = 60 DG, YW	YK, D1	YK	YS			

WINDOW TYPE	TOP HUNG & CASEMENT				
	HANDLE*		FRICITIONSTAY	SAFETY STOPPER (OPENING ABOUT 100mm)*	
	MULTI POINT	CAMLATCH	YKK AP	ARMSTOPPER*	AL.PLATE*
PARTS					
COLOR OPTION	YK, D1	YK	YS	YS	YS

*Check size limitation

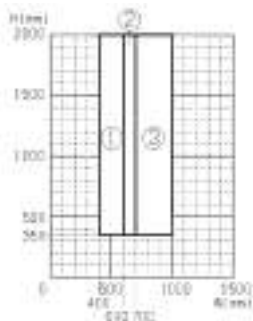
*Optional Parts depend on user needs on strength and price matter

Parts Color

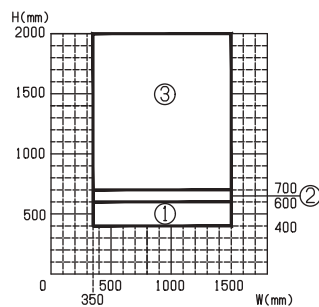
DG : Dark Gray **D1** : White **YK** : Black **YS** : Light Gray

Limitation Graph For Safety Stopper

CASEMENT



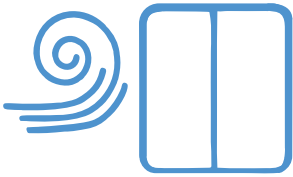


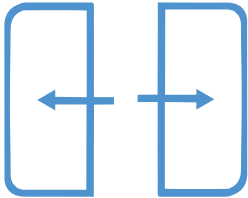
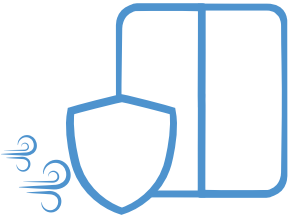
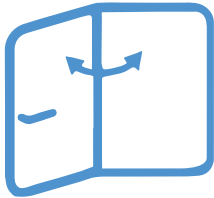
TOP HUNG





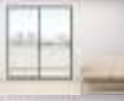


NO.	DESCRIPTION	PART NO.
①	AL. PLATE(L=33)	9K-11114
②	AL. PLATE(L=47)	9K-11353
③	ARM STOPPER	9K-11113

*Not applied for Top Hung Friction Stayless

WINDOW PERFORMANCE

<p>Structural (Wind Load)</p>  <p>Up to 1200 pa</p>	<p>Sound Insulation</p>  <p>Provide A Quiet Living Atmosphere -25 dB</p>	<p>Water Tightness</p>  <p>Watertight From Outside Within MADELA - L : 200Pa</p>
<p>Opening Force</p>  <p>Smooth Opening (Less Than 5 Kg)</p>	<p>Air Tightness</p>  <p>Dust Free and Airtight System Up to 75 Pa</p>	<p>Open-Close Test</p>  <p>20,000 Cycles No Damage</p>

*Sliding Flat Sill and Door Without Sill performance has no guarantee

High Quality Finishes		
	Powder Coating re-paint OK	Anodize + resistant to rain and UV
	White/Ivory	TW01
		TW02
	Light Gray /Champagne	YS1N (Matte)
		YH1N (Matte)
	Deep Gray	TB80
	Brown	YB1C (Glossy)
		YB1N (Matte)
	Black	YK1N (Matte)

Variety of Opening Types & Setting Units

□ SLIDING

2 LEAVES

4 LEAVES

Standard



SLIDING



SLIDING/FIX



FIX/SLIDING



FIX/SLIDING/FIX



SLIDING

(Without Muntin)



FIX/SLIDING

(With Muntin)



FIX/SLIDING

Flat Sill



SLIDING



FIX/SLIDING



SLIDING

(Without Muntin)



FIX/SLIDING

(With Muntin)



FIX/SLIDING

* Size W>2400 : Muntin will be added to FIX automatically for reinforcement.

□ TOP HUNG

SINGLE

STEP WINDOWS

STEP WINDOWS

Standard



TOP HUNG



TOP HUNG/FIX



FIX/TOP HUNG



FIX/TOP HUNG/FIX

Friction Stayless

SINGLE

STEP WINDOWS

STEP WINDOWS



TOP HUNG



TOP HUNG/FIX



FIX/TOP HUNG



FIX/TOP HUNG/FIX

□ CASEMENT

SINGLE

STEP WINDOWS

STEP WINDOWS



CASEMENT



CASEMENT/FIX



FIX/CASEMENT



FIX/CASEMENT/FIX

□ FIX

SINGLE

STEP WINDOWS

STEP WINDOWS



FIX



FIX/FIX



FIX/FIX/FIX

□ DOOR

SINGLE DOOR

DOUBLE DOOR

(Without Sill)

SINGLE STEP DOOR



DOOR



FIX/DOOR

(With Sill)

SINGLE STEP DOOR



DOOR



FIX/DOOR

(Without Sill)

DOUBLE STEP DOOR



DOOR



FIX/D-DOOR

(With Sill)

DOUBLE STEP DOOR



DOOR

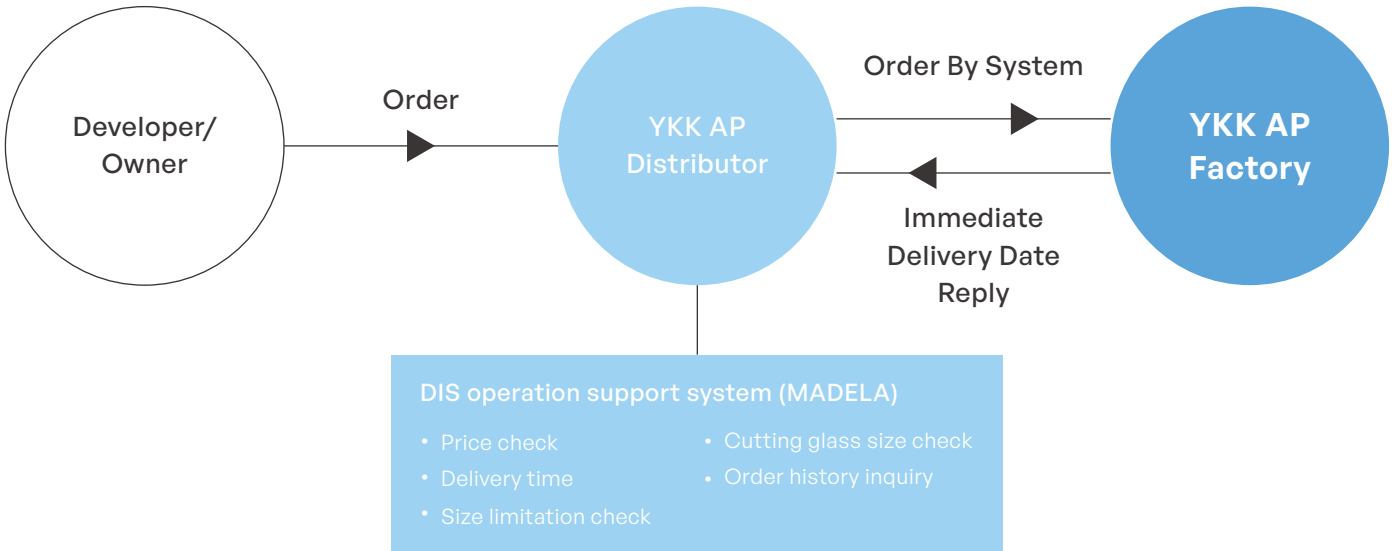


FIX/D-DOOR

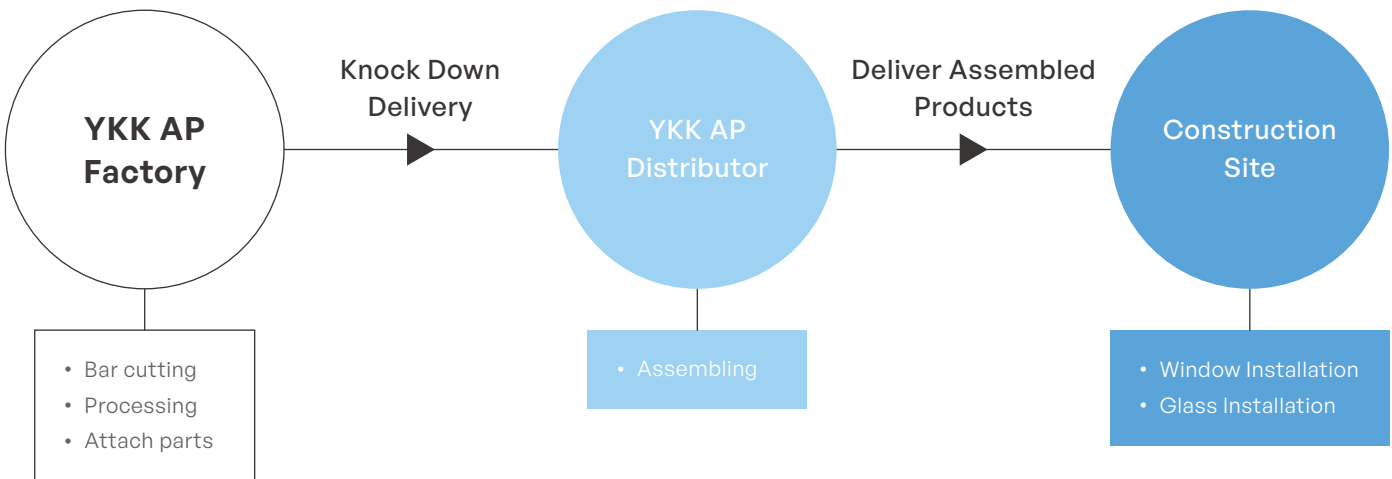
ABOUT MADELA

MADELA is a product with a **new concept**, when DIS places an **order by this system**, the orders arrive directly at the factory line, and it will be possible to **notify the price, delivery date, etc in real time**

Order Flow



Delivery Flow



PRECAUTIONS

• About the Price List

- The prices listed in this catalog exclude glass, installation fees, and assembly fees
The price list is listed in units of 100 mm, and less than 100 mm should be rounded up
Ex) W1830xH860 = The price will be 1900x900
- For the stepped window type, add up the prices of each single window.
- For the continuous window type, add the mullion price

• Delivery Destination

- Only DIS warehouse or workshop, on-site delivery is not possible (Can be picked up at the factory upon request)

• Quality Assurance

- 10 years for surface treatment of profile and 2 years for parts (see below for disclaimers)
- DIS guarantees for the quality of assembly, installation, and sealing

• Disclaimer

- Even within the warranty period, the following cases will be repaired for a fee
When the product at the time of ordering is modified (cut • installation of on-site procured parts, processed, problems due to inadequate construction • management • and maintenance
- Problems when installed in a place that requires performance that exceeds the performance of this product
- Product defects caused by defects other than the product, such as deformation of the building frame
- Corrosion or other defects caused by the natural environment or living environment around the product (for example, corrosion caused by salt damage, dust in the atmosphere, soot, various metal powders, sulfurous acid gas, ammonia, corrosion caused by car exhaust gas, abnormal high temperature, low temperature, high humidity etc)
- Phenomena associated with the material properties of products or parts (e.g., the sound of opening and closing windows)
- Problems caused by natural disasters or other force majeure (for example, windbreaks, heavy rains, storm surges, earthquakes, lightning strikes, floods, land subsidence, fires, tsunamis, eruptions, etc)
- Problems caused by small animals such as dogs, cats, birds, and mice
- Problems caused by operational errors after delivery, improper adjustment, or improper maintenance
- Problems caused by customer's own assembly, processing, installation, repair, modification
- Damage or malfunction caused by illegal acts such as crime. Problems that occur under conditions that exceed the performance value
- Problems that occur under conditions that exceed the performance value
 - * A fee will be charged for replacement after the warranty period has expired
 - * This document does not limit customer's legal rights. If customers have any questions about repairs after the warranty period has expired, please contact our sales office

SLIDING 2 LEAVES



Performance

Structural (Wind Load)	1,200 Pa
Water Tightness	200 Pa
Sound Insulation	-25 dB

Specifications

Selected parts :

Crescent, Hook Lock, Hook Lock Double Sided (Optional)

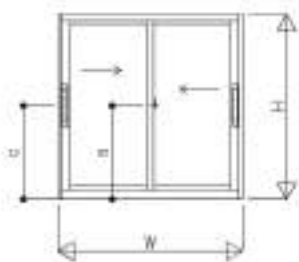
Glass

Glass Size	Qty	Thickness
$(W/2-66) \times (H-117)$	2	5,6,8

FOR H>2500 USE GLASS ONLY 6mm & 8mm

Standard Specifications

OUTSIDE VIEW



Crescent Height : a

- $H/2+5$
- 645
- Custom

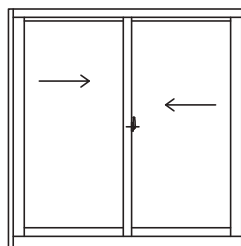
Hook Lock Height : c

- $H/2+5$
- 645
- Custom

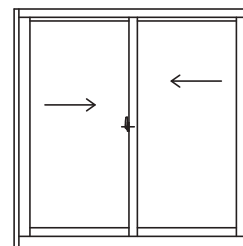
2 LEAF STANDARD

2 LEAF REVERSE

OUTSIDE VIEW

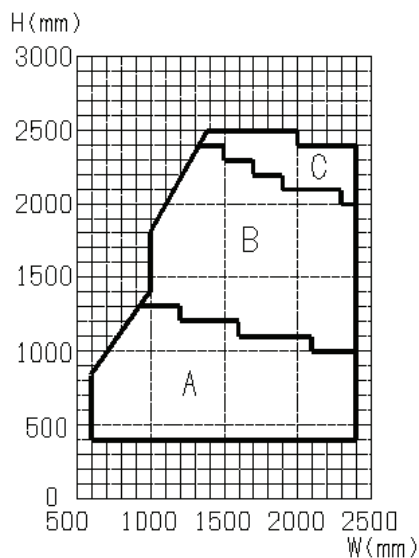


Inside
Outside



Inside
Outside

Size Limitation



SEE SYSTEM DRAWING (P13, 14) FOR A, B, C




SLIDING 2 LEAVES

PRICE LIST

CRESCENT

Juta Rp

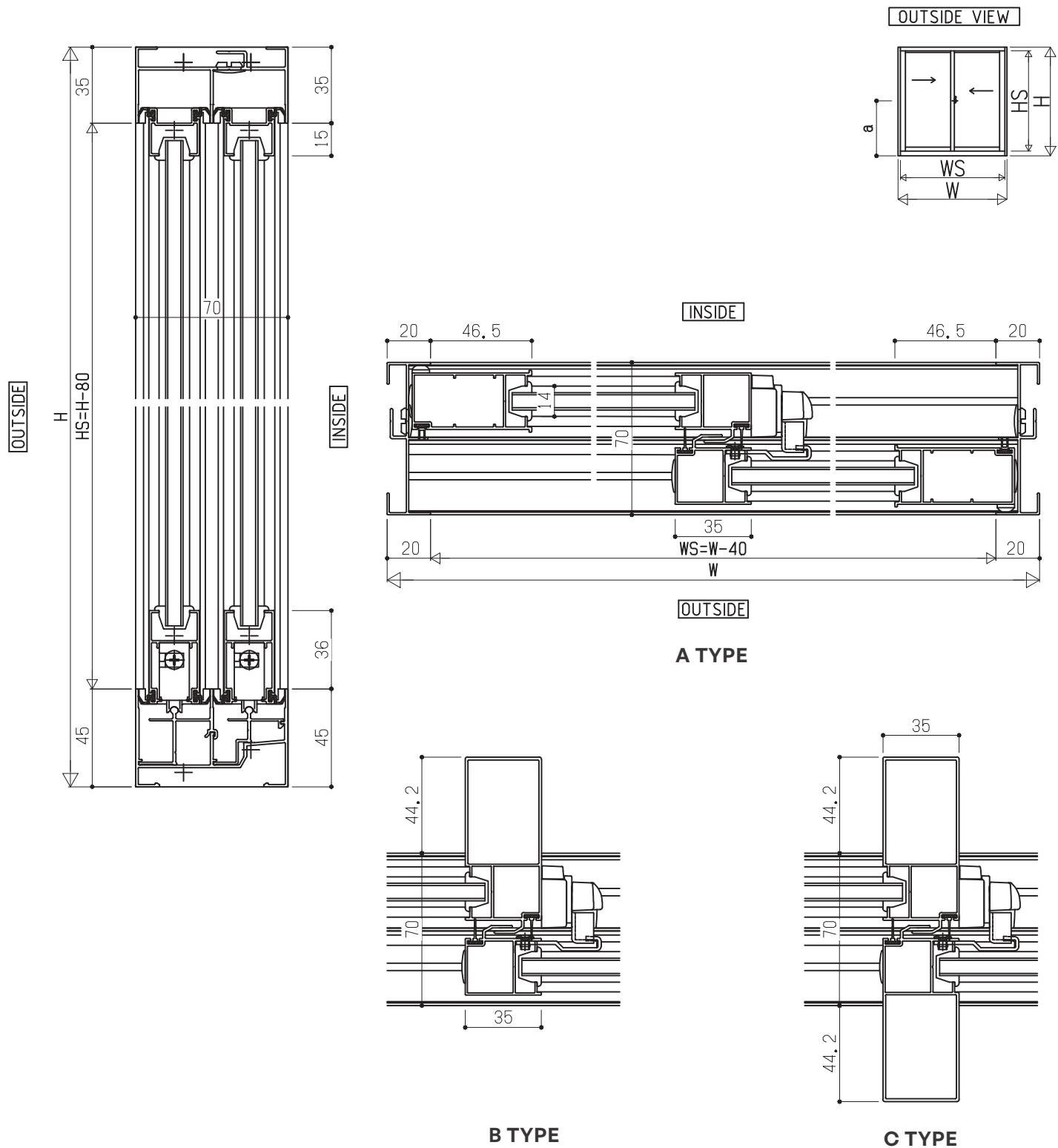
H (mm) \ W (mm)																				
	600	601-700	701-800	801-900	901-1000	1001-1100	1101-1200	1201-1300	1301-1400	1401-1500	1501-1600	1601-1700	1701-1800	1801-1900	1901-2000	2001-2100	2101-2200	2201-2300	2301-2400	
400	1,02	1,06	1,10	1,15	1,20	1,25	1,29	1,33	1,38	1,42	1,47	1,51	1,55	1,60	1,65	1,69	1,74	1,78	1,82	
401 ~ 500	1,06	1,11	1,15	1,20	1,25	1,30	1,34	1,38	1,43	1,47	1,51	1,56	1,60	1,65	1,70	1,74	1,78	1,83	1,87	
501 ~ 600	1,11	1,16	1,20	1,25	1,30	1,34	1,39	1,43	1,47	1,52	1,56	1,61	1,65	1,69	1,74	1,79	1,83	1,88	1,92	
601 ~ 700	1,16	1,20	1,25	1,30	1,35	1,39	1,44	1,48	1,52	1,57	1,61	1,65	1,70	1,74	1,79	1,84	1,88	1,92	1,97	
701 ~ 800	1,21	1,25	1,30	1,35	1,40	1,44	1,48	1,53	1,57	1,62	1,66	1,70	1,75	1,79	1,84	1,88	1,93	1,97	2,02	
801 ~ 900	1,26	1,30	1,34	1,39	1,44	1,49	1,53	1,58	1,62	1,66	1,71	1,75	1,79	1,84	1,89	1,93	1,98	2,02	2,06	
901 ~ 1.000		1,35	1,40	1,45	1,50	1,54	1,59	1,63	1,67	1,72	1,76	1,81	1,85	1,89	1,94	1,99	2,03	2,08	2,12	
1.001 ~ 1.100			1,46	1,51	1,56	1,60	1,64	1,69	1,73	1,78	1,82	1,86	1,91	1,95	2,00	2,05	2,31	2,35	2,40	
1.101 ~ 1.200			1,50	1,56	1,61	1,65	1,69	1,74	1,78	1,82	1,87	1,91	1,95	2,00	2,05	2,32	2,36	2,41	2,46	
1.201 ~ 1.300				1,60	1,65	1,70	1,74	2,00	2,04	2,09	2,13	2,18	2,23	2,27	2,33	2,37	2,42	2,47	2,51	
1.301 ~ 1.400					1,91	1,96	2,01	2,05	2,10	2,15	2,19	2,24	2,28	2,33	2,38	2,43	2,48	2,52	2,57	
1.401 ~ 1.500					1,97	2,02	2,06	2,11	2,16	2,20	2,25	2,30	2,34	2,39	2,44	2,49	2,53	2,58	2,63	
1.501 ~ 1.600					2,04	2,09	2,13	2,18	2,23	2,27	2,32	2,37	2,41	2,46	2,51	2,56	2,61	2,65	2,70	
1.601 ~ 1.700					2,10	2,15	2,19	2,24	2,28	2,33	2,38	2,42	2,47	2,52	2,57	2,62	2,66	2,71	2,76	
1.701 ~ 1.800					2,16	2,20	2,25	2,30	2,34	2,39	2,43	2,48	2,53	2,57	2,63	2,67	2,72	2,77	2,81	
1.801 ~ 1.900						2,26	2,31	2,35	2,40	2,45	2,49	2,54	2,58	2,63	2,68	2,73	2,78	3,45	3,51	
1.901 ~ 2.000						2,32	2,36	2,41	2,46	2,50	2,55	2,60	2,64	2,69	3,35	3,41	3,46	3,52	3,58	
2.001 ~ 2.100							2,42	2,47	2,51	2,56	2,61	3,24	3,30	3,36	3,42	3,48	3,53	3,59	3,83	
2.101 ~ 2.200							2,48	2,52	2,57	3,20	3,26	3,31	3,37	3,43	3,68	3,74	3,80	3,85	3,91	
2.201 ~ 2.300								3,17	3,23	3,28	3,34	3,40	3,65	3,71	3,77	3,83	3,89	3,94	4,00	
2.301 ~ 2.400								3,24	3,30	3,35	3,62	3,67	3,73	3,79	3,85	3,91	3,96	4,02	4,08	
2.401 ~ 2.500									3,58	3,64	3,69	3,75	3,81	3,86	3,93					

-  Stile A type
-  Stile B type
-  Stile C type

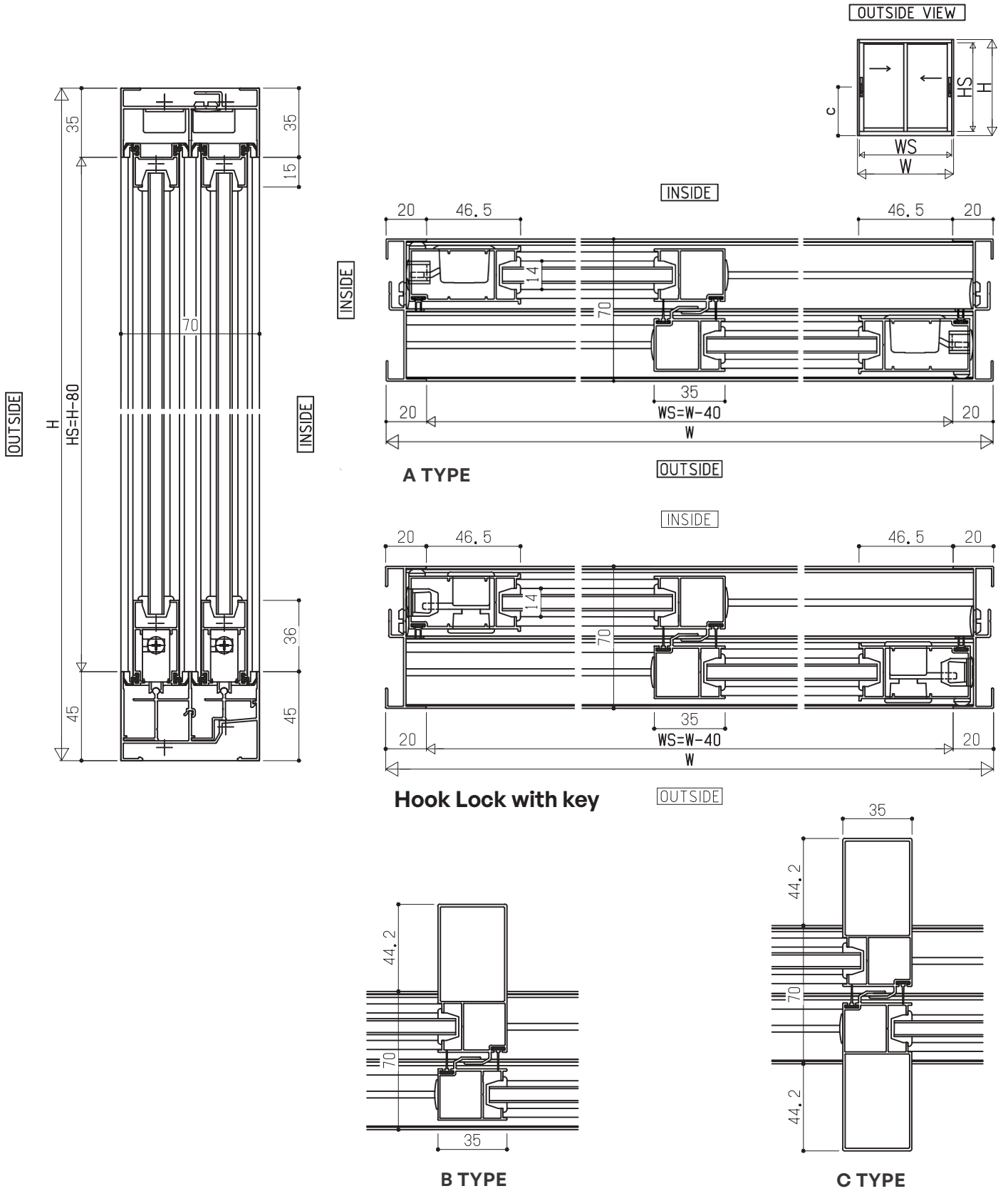
* For the specifications with **Hook Lock**, 0.21 juta/set will be added to the price above

* For the specifications **Hook Lock with key**, 0.53 juta/set will be added to the price above.

*This price is not included glass, assembling fee, delivery fee and installation fee.



* The stile type is automatically selected according to the size range.
Please check the size limitation graph.



* The stile type is automatically selected according to the size range.
Please check the size limitation graph.

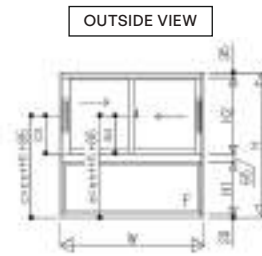
SLIDING 2 LEAVES/FIX



Performance

Structural (Wind Load)	1,200 Pa
Water Tightness	200 Pa
Sound Insulation	-25 dB

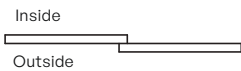
Standard Specifications



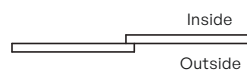
- Crescent Height :** as
 - H2/2
 - 600 as
 - Custom
Hook Lock Height :
 - H2/2
 - 600
 - Custom

Variation

2 LEAF STANDARD

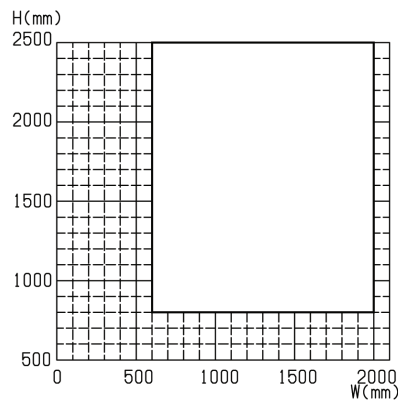


2 LEAF REVERSE



Size Limitation

WH size



Specifications

Selected parts :

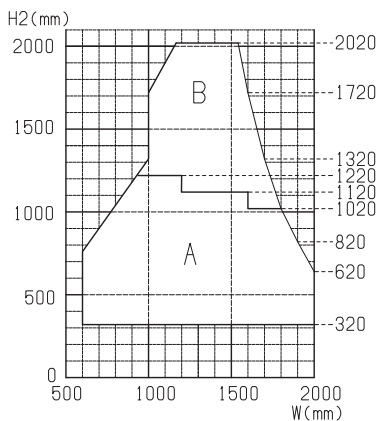
Crescent, Hook Lock, Hook Lock with key

Glass

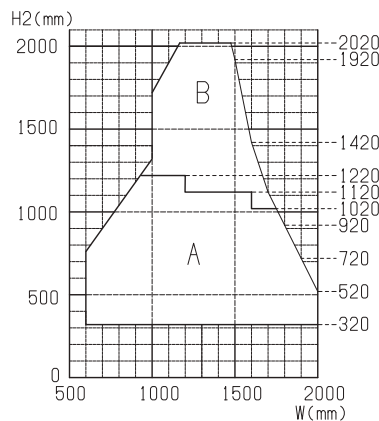
	Glass Size	Qty	Thickness
SL	(W/2-66) × (H2-37)	2	5,6,8
FIX	(W-62) × (H1-22)	1	5,6,8

Size Limitation

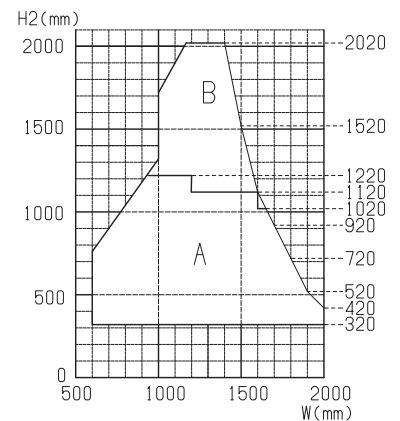
H2 size



Glass thickness 5 mm



Glass thickness 6 mm



Glass thickness 8 mm

SLIDING 2 LEAVES/FIX

PRICE LIST

1 See page **12** for the upper sliding window

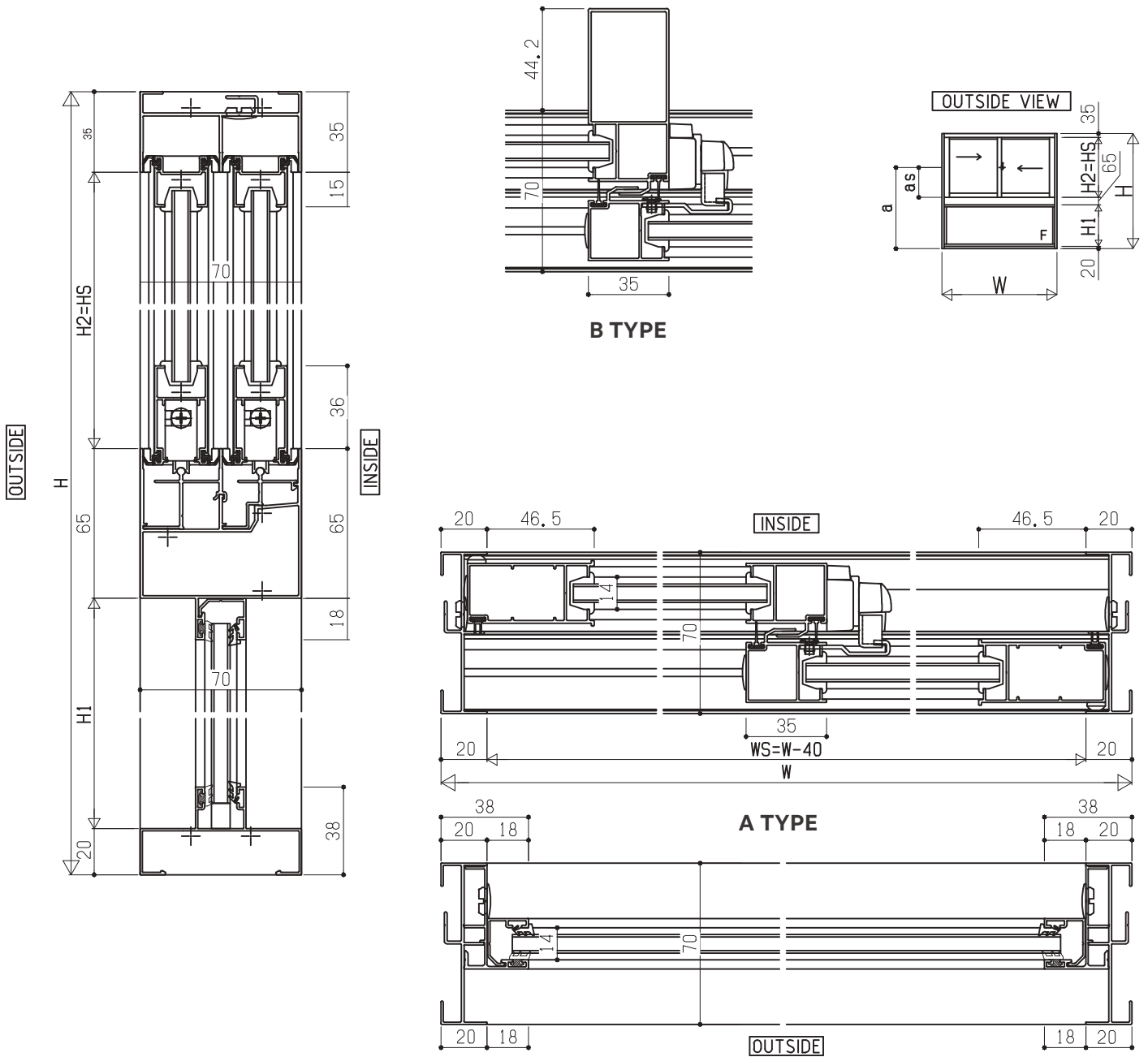
2 See the price list below for the lower FIX

Price : +

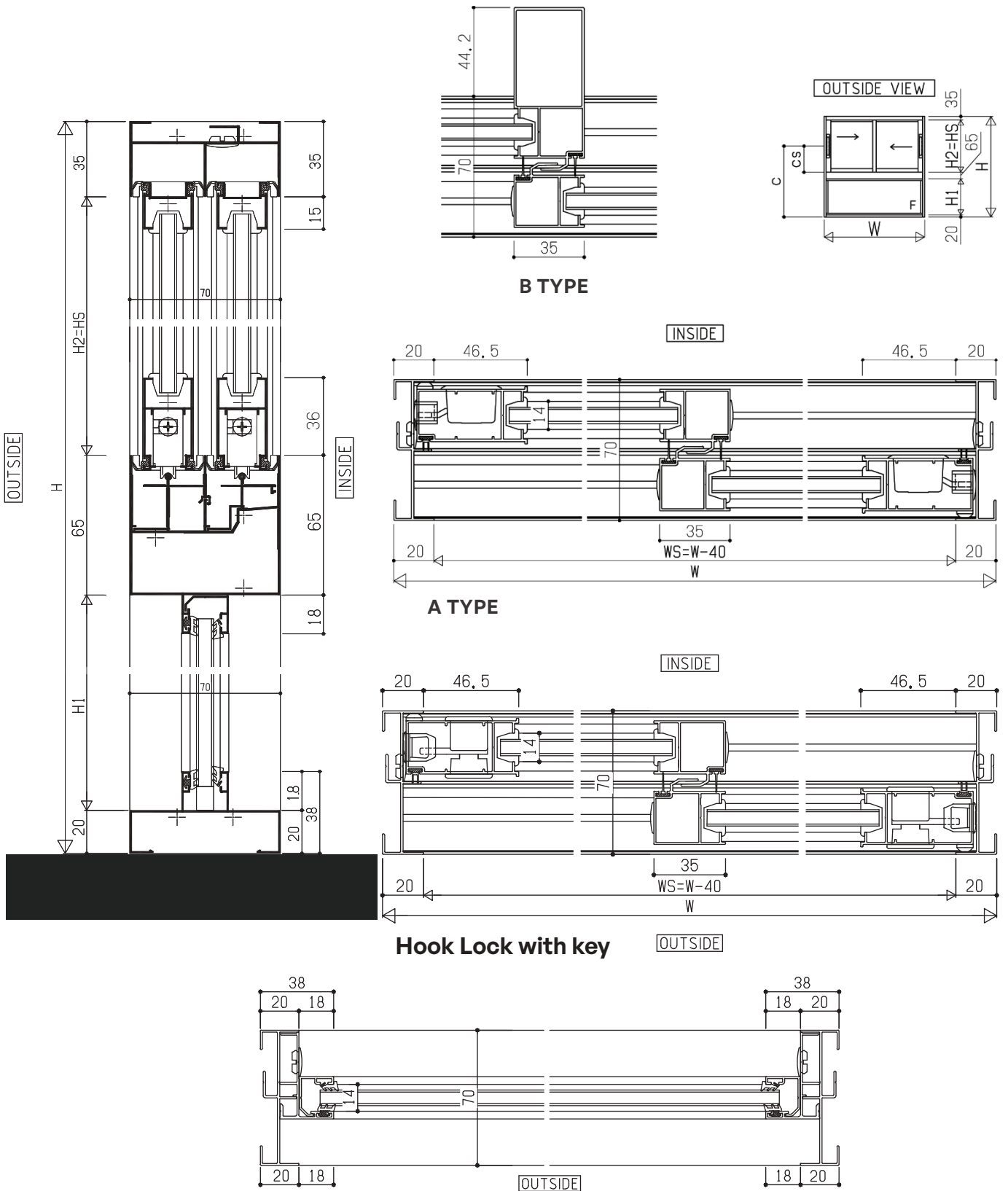
FIX (Transom Price Included)

Juta Rp

W (mm)		600	601-700	701-800	801-900	901-1,000	1,001-1,100	1,101-1,200	1,201-1,300	1,301-1,400	1,401-1,500	1,501-1,600	1,601-1,700	1,701-1,800	1,801-1,900	1,901-2,000
H (mm)																
	300	0.42	0.44	0.46	0.48	0.51	0.53	0.55	0.57	0.59	0.61	0.63	0.65	0.67	0.69	0.71
301	~ 400	0.44	0.46	0.48	0.50	0.54	0.56	0.58	0.60	0.62	0.64	0.66	0.68	0.70	0.72	0.74
401	~ 500	0.47	0.49	0.51	0.53	0.56	0.58	0.60	0.62	0.64	0.66	0.68	0.70	0.72	0.74	0.76
501	~ 600	0.49	0.51	0.53	0.55	0.59	0.61	0.63	0.65	0.67	0.69	0.71	0.73	0.75	0.77	0.79
601	~ 700	0.51	0.53	0.55	0.57	0.61	0.63	0.65	0.67	0.69	0.71	0.73	0.75	0.77	0.79	0.81
701	~ 800	0.54	0.56	0.58	0.60	0.64	0.66	0.68	0.70	0.72	0.74	0.76	0.78	0.80	0.82	0.84
801	~ 900	0.57	0.59	0.61	0.63	0.66	0.68	0.70	0.72	0.74	0.76	0.78	0.80	0.82	0.84	0.86
901	~ 1,000	0.59	0.61	0.63	0.65	0.69	0.71	0.73	0.75	0.77	0.79	0.81	0.83	0.85	0.87	0.89
1,001	~ 1,100	0.62	0.64	0.66	0.68	0.71	0.73	0.75	0.77	0.79	0.81	0.83	0.85	0.87	0.89	0.91
1,101	~ 1,200	0.64	0.66	0.68	0.70	0.74	0.76	0.78	0.80	0.82	0.84	0.86	0.88	0.90	0.92	0.94
1,201	~ 1,300	0.66	0.68	0.70	0.72	0.76	0.78	0.80	0.82	0.84	0.86	0.88	0.90	0.92	0.94	0.96
1,301	~ 1,400	0.69	0.71	0.73	0.75	0.79	0.81	0.83	0.85	0.87	0.89	0.91	0.93	0.95	0.97	0.99
1,401	~ 1,500	0.72	0.74	0.76	0.78	0.81	0.83	0.85	0.87	0.89	0.91	0.93	0.95	0.97	0.99	1.01
1,501	~ 1,600	0.74	0.76	0.78	0.80	0.84	0.86	0.88	0.90	0.92	0.94	0.96	0.98	1.00	1.02	1.04
1,601	~ 1,700	0.77	0.79	0.81	0.82	0.86	0.88	0.90	0.92	0.94	0.96	0.98	1.00	1.02	1.04	1.06
1,701	~ 1,800	0.79	0.81	0.83	0.85	0.89	0.91	0.93	0.95	0.97	0.99	1.01	1.03	1.05	1.07	1.09
1,801	~ 1,900	0.82	0.84	0.86	0.88	0.91	0.93	0.95	0.97	0.99	1.01	1.03	1.05	1.07	1.09	1.11
1,901	~ 2,000	0.84	0.86	0.88	0.90	0.94	0.96	0.98	1.00	1.02	1.04	1.06	1.08	1.10	1.12	1.14
2,001	~ 2,100	0.87	0.89	0.91	0.93	0.96	0.98	1.00	1.02	1.04	1.06	1.08	1.10	1.12	1.14	1.16
2,101	~ 2,200	0.89	0.91	0.93	0.95	0.99	1.01	1.03	1.05	1.07	1.09	1.11	1.13	1.15	1.17	1.19
2,201	~ 2,300	0.92	0.94	0.96	0.97	1.01	1.03	1.05	1.07	1.09	1.11	1.13	1.15	1.17	1.19	1.21
2,301	~ 2,400	0.94	0.96	0.98	1.00	1.04	1.06	1.08	1.10	1.12	1.14	1.16	1.18	1.20	1.22	1.24
2,401	~ 2,500	0.97	0.99	1.01	1.03	1.06	1.08	1.10	1.12	1.14	1.16	1.18	1.20	1.22	1.24	1.26
2,501	~ 2,600	0.99	1.01	1.03	1.05	1.09	1.11	1.13	1.15	1.17	1.19	1.21	1.23	1.25	1.27	1.29



* The stile type is automatically selected according to the size range.
Please check the size limitation graph.



* The stile type is automatically selected according to the size range.
Please check the size limitation graph.

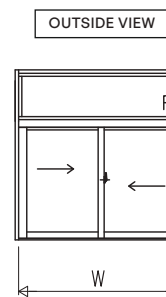
FIX/SLIDING 2 LEAVES



Performance

Structural (Wind Load)	1200 Pa
Water Tightness	200 Pa
Sound Insulation	-25 dB

Standard Specification



Crescent Height : as

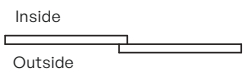
- H1/2
- 600
- Custom

Hook Lock Height : c

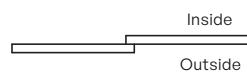
- H1/2
- 600
- Custom

Variation

2 LEAF STANDARD

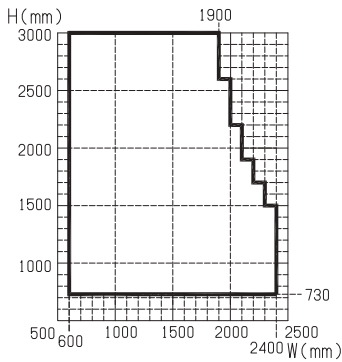


2 LEAF REVERSE

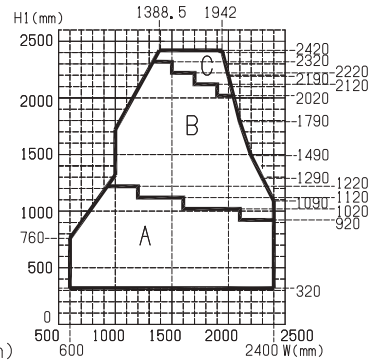


Size Limitation

WH size



H1 size



Specifications

Selected parts :

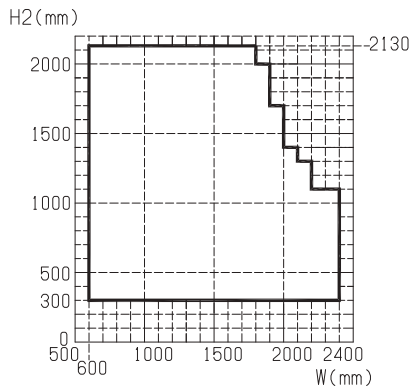
Crescent, Hook Lock, Hook Lock with key

Glass

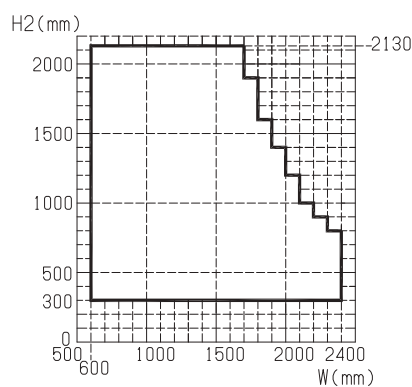
	Glass Size	Qty	Thickness
SL	$(W/2-66) \times (H1-37)$	2	5,6,8
FIX	$(W-62) \times (H2-22)$	1	5,6,8

Size Limitation

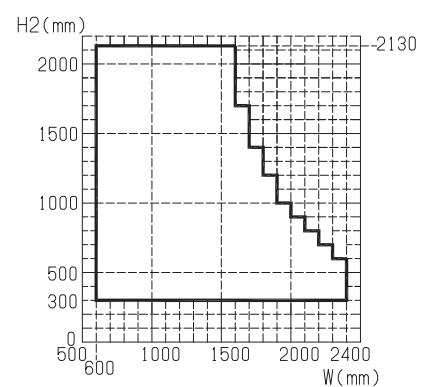
H2 size



Glass thickness 5 mm



Glass thickness 6 mm



Glass thickness 8 mm

FIX/SLIDING 2 LEAVES

PRICE LIST

1 See the price list below for the upper FIX

2 See page **12** for the lower Sliding window

Price : +

FIX (Transom Price Included)

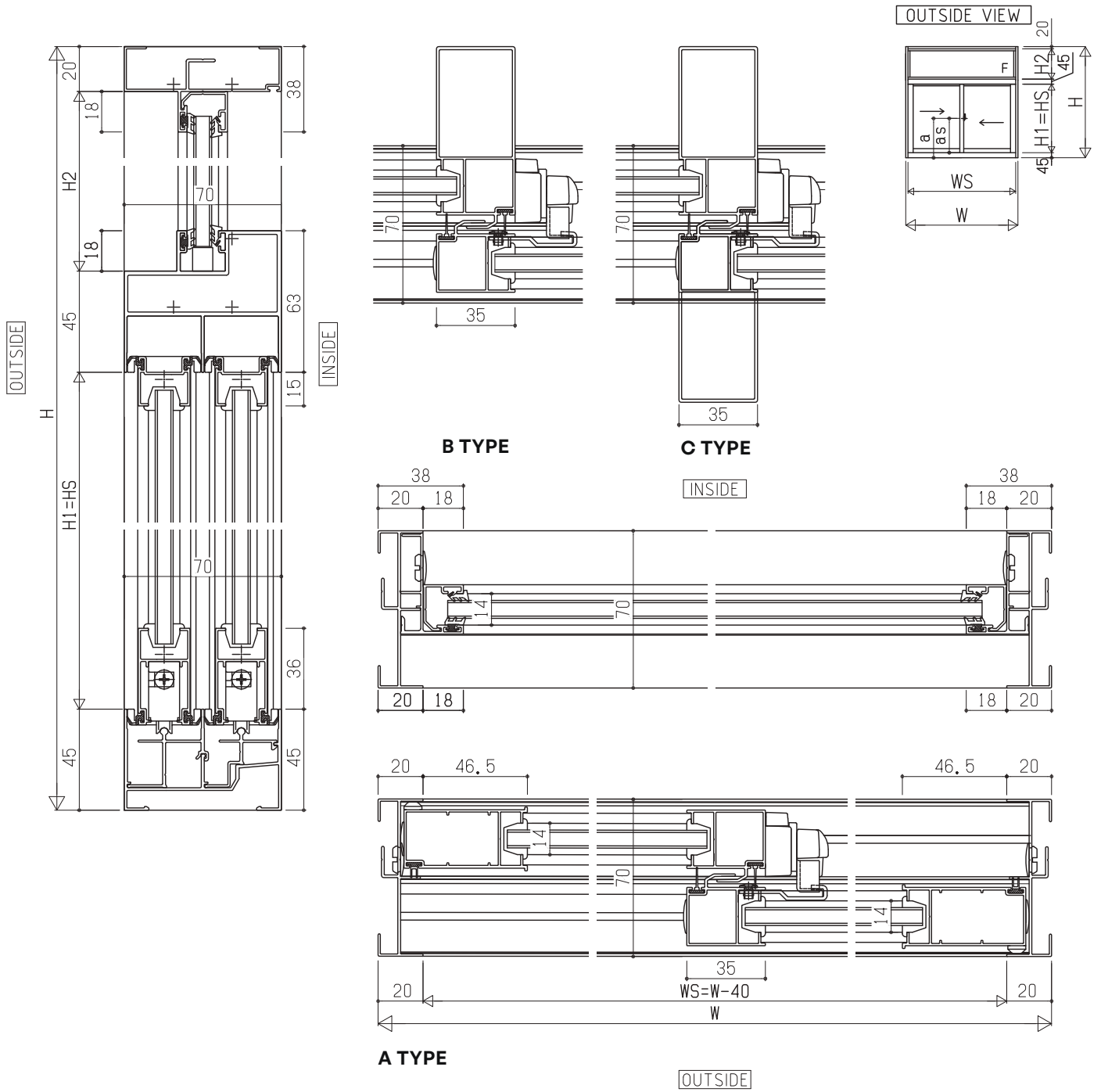
Juta Rp

H (mm)	W (mm)																			
		600	601-700	701-800	801-900	901-1,000	1,001-1,100	1,101-1,200	1,201-1,300	1,301-1,400	1,401-1,500	1,501-1,600	1,601-1,700	1,701-1,800	1,801-1,900	1,901-2,000	2,001-2,100	2,101-2,200	2,201-2,300	2,301-2,400
301	~ 300	0.43	0.45	0.47	0.50	0.52	0.54	0.57	0.59	0.62	0.64	0.66	0.69	0.71	0.73	0.76	0.78	0.80	0.83	0.85
401	~ 400	0.45	0.47	0.50	0.52	0.55	0.57	0.59	0.62	0.64	0.66	0.69	0.71	0.74	0.76	0.78	0.81	0.83	0.85	0.88
501	~ 500	0.48	0.50	0.52	0.55	0.57	0.59	0.62	0.64	0.67	0.69	0.71	0.74	0.76	0.79	0.81	0.83	0.86	0.88	0.90
601	~ 600	0.50	0.52	0.55	0.57	0.59	0.62	0.64	0.67	0.69	0.71	0.74	0.76	0.79	0.81	0.83	0.86	0.88	0.90	0.93
701	~ 700	0.52	0.55	0.57	0.60	0.62	0.64	0.67	0.69	0.72	0.74	0.76	0.79	0.81	0.83	0.86	0.88	0.90	0.93	0.95
801	~ 800	0.55	0.57	0.60	0.62	0.64	0.67	0.69	0.72	0.74	0.76	0.79	0.81	0.83	0.86	0.88	0.90	0.93	0.95	0.98
901	~ 900	0.58	0.60	0.62	0.65	0.67	0.69	0.72	0.74	0.77	0.79	0.81	0.84	0.86	0.88	0.91	0.93	0.96	0.98	1.00
1,001	~ 1,000	0.60	0.62	0.65	0.67	0.70	0.72	0.74	0.77	0.79	0.81	0.84	0.86	0.89	0.91	0.93	0.96	0.98	1.00	1.03
1,101	~ 1,100	0.63	0.65	0.67	0.70	0.72	0.74	0.77	0.79	0.82	0.84	0.86	0.89	0.91	0.93	0.96	0.98	1.00	1.03	1.05
1,201	~ 1,200	0.65	0.67	0.70	0.72	0.74	0.77	0.79	0.82	0.84	0.86	0.89	0.91	0.94	0.96	0.98	1.00	1.03		
1,301	~ 1,300	0.67	0.70	0.72	0.75	0.77	0.79	0.82	0.84	0.87	0.89	0.91	0.94	0.96	0.98	1.01	1.03	1.05		
1,401	~ 1,400	0.70	0.72	0.75	0.77	0.80	0.82	0.84	0.87	0.89	0.91	0.94	0.96	0.99	1.01	1.03	1.06			
1,501	~ 1,500	0.73	0.75	0.77	0.80	0.82	0.84	0.87	0.89	0.92	0.94	0.96	0.99	1.01	1.03	1.06				
1,601	~ 1,600	0.75	0.77	0.80	0.82	0.85	0.87	0.89	0.92	0.94	0.96	0.99	1.01	1.04	1.06	1.08				
1,701	~ 1,700	0.77	0.80	0.82	0.85	0.87	0.89	0.92	0.94	0.97	0.99	1.01	1.04	1.06	1.08	1.11				
1,801	~ 1,800	0.80	0.82	0.85	0.87	0.89	0.92	0.94	0.97	0.99	1.01	1.04	1.06	1.09	1.11					
1,901	~ 1,900	0.83	0.85	0.87	0.90	0.92	0.94	0.97	0.99	1.02	1.04	1.06	1.09	1.11	1.13					
2,001	~ 2,000	0.85	0.87	0.90	0.92	0.95	0.97	0.99	1.02	1.04	1.06	1.09	1.11	1.14	1.16					
2,101	~ 2,100	0.88	0.90	0.92	0.95	0.97	0.99	1.02	1.04	1.07	1.09	1.11	1.14	1.16						
2,201	~ 2,200	0.90	0.92	0.95	0.97	1.00	1.02	1.04	1.07	1.09	1.11	1.14	1.16	1.19						

FIX/SLIDING 2 LEAVES

SYSTEM DRAWING

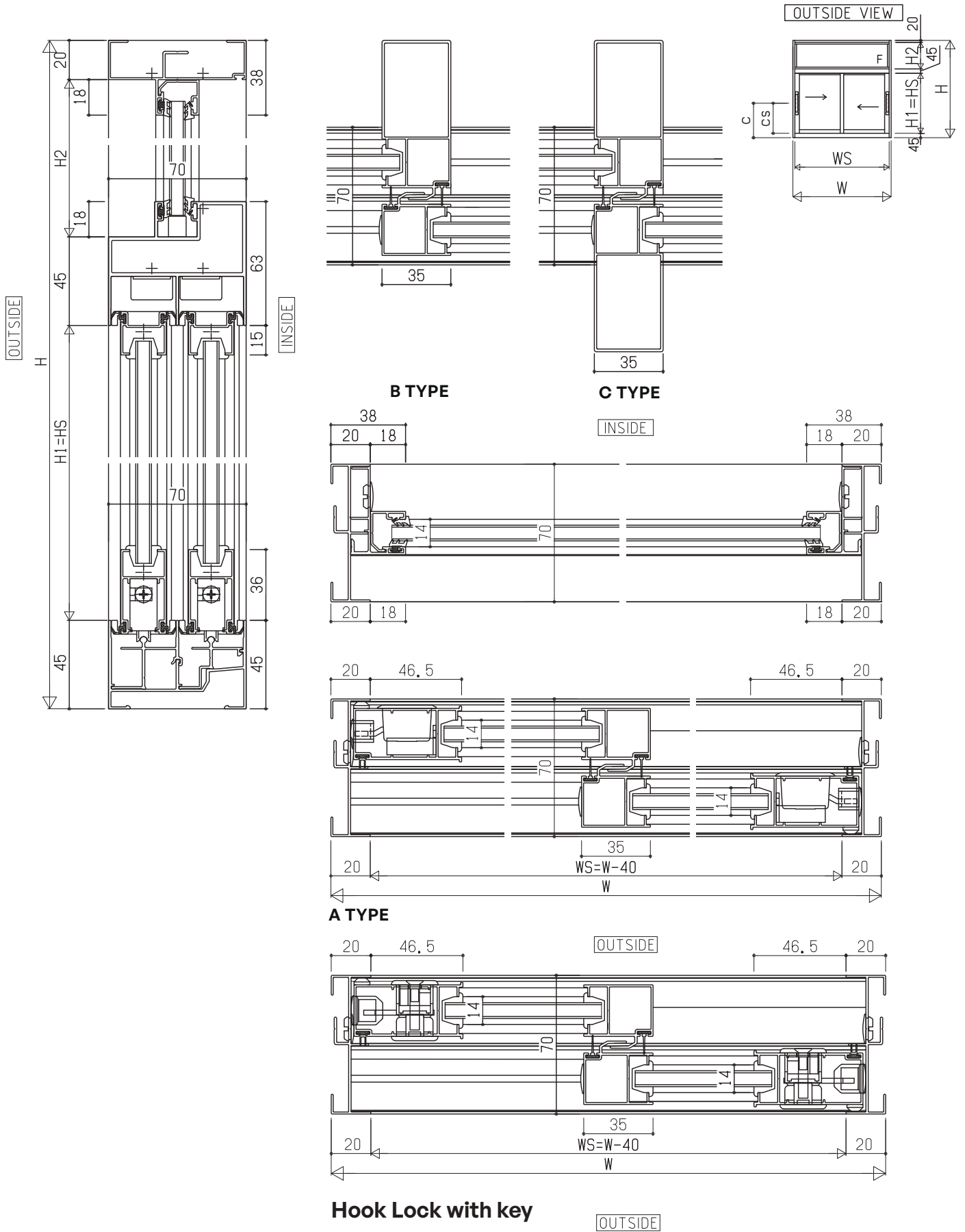
CRESCENT LOCK



FIX/SLIDING 2 LEAVES

SYSTEM DRAWING

HOOK LOCK



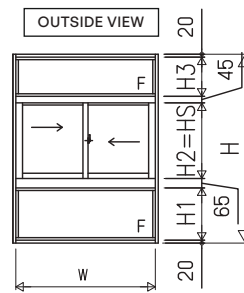
FIX/SLIDING 2 LEAVES/FIX



Performance

Structural (Wind Load)	1200 Pa
Water Tightness	200 Pa
Sound Insulation	-25 dB

Standard Specification



Crescent Height : as

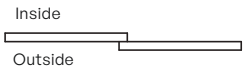
- H2/2
- 600
- Custom

Hook Lock Height : c

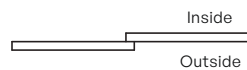
- H2/2
- 600
- Custom

Variation

2 LEAF STANDARD

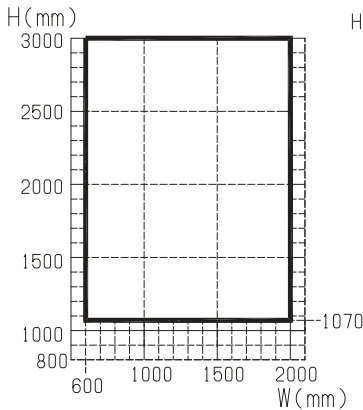


2 LEAF REVERSE

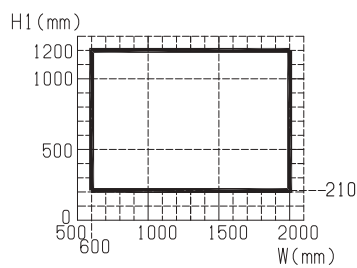


Size Limitation

WH size



H1 size



**Glass thickness
5, 6, 8 mm**

Specifications

Selected parts :

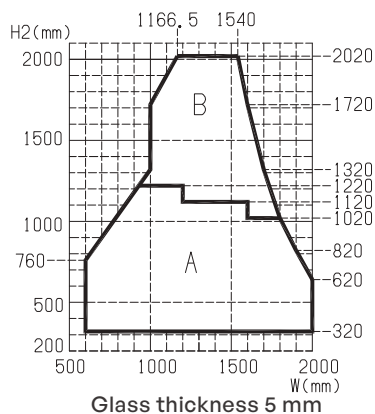
Crescent, Hook Lock, Hook Lock with key

Glass

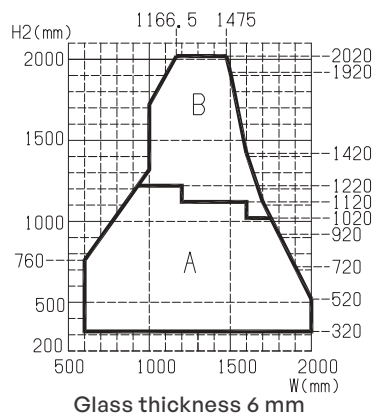
	Glass Size	Qty	Thickness
SL	$(W/2-66) \times (H2-37)$	2	5,6,8
FIX1	$(W-62) \times (H1-22)$	1	5,6,8
FIX2	$(W-62) \times (H2-22)$	1	5,6,8

Size Limitation

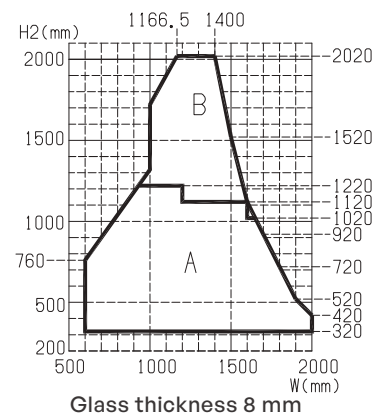
H2 size



Glass thickness 5 mm



Glass thickness 6 mm



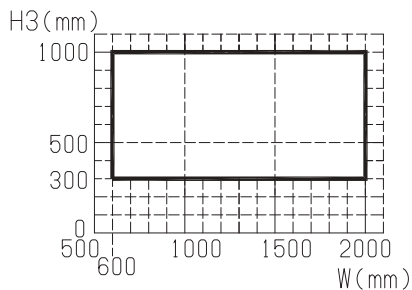
Glass thickness 8 mm

FIX/SLIDING 2 LEAVES/FIX

SIZE LIMITATION & PRICE LIST

Size Limitation

H3 size



Glass thickness 5, 6, 8 mm

Price List

1 See the price list below for the upper FIX

2 See page **12** for the middle Sliding

3 See the price list below for the lower FIX

Price : 1 + 2 + 3

FIX (Transom Price Included)

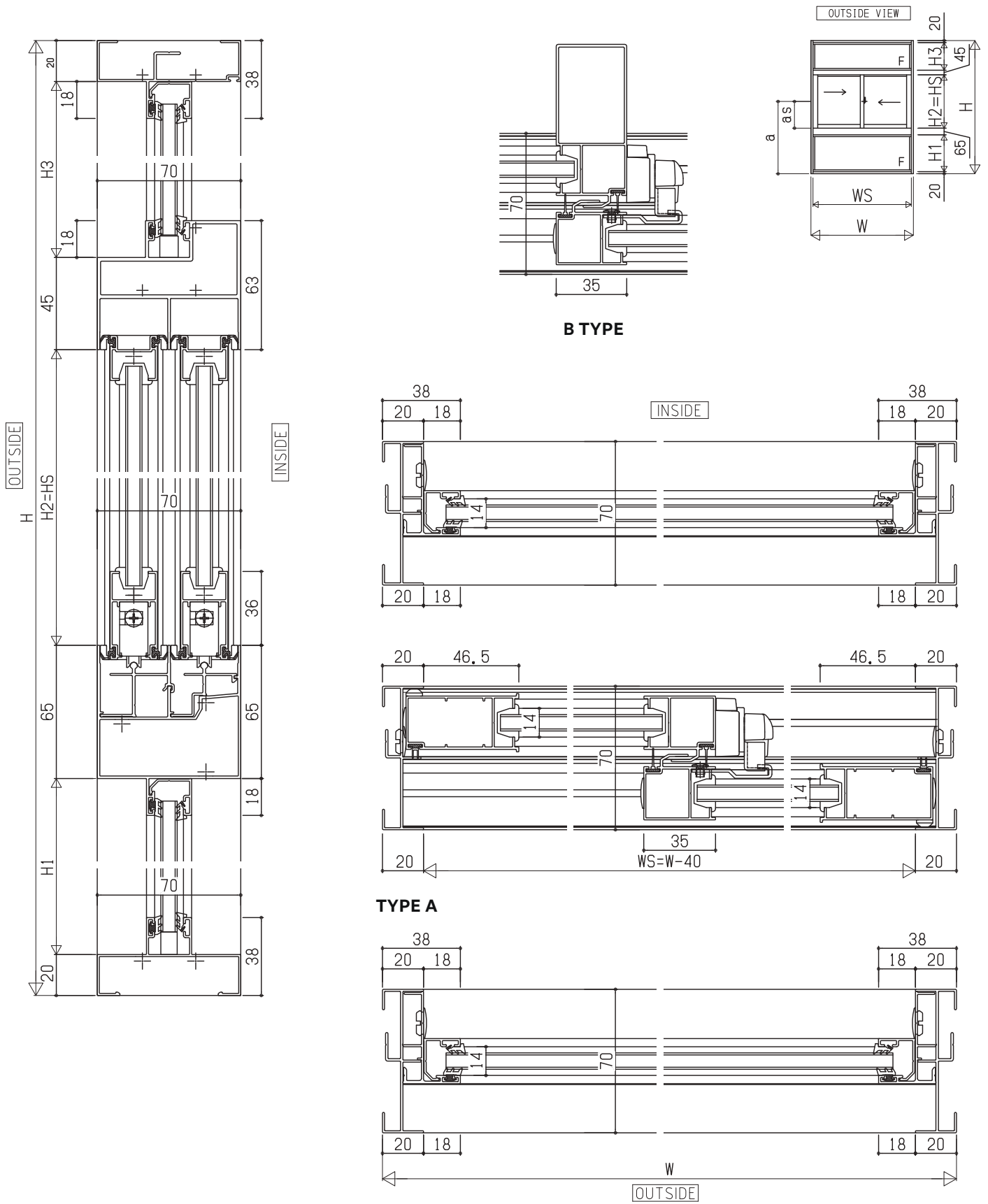
Juta Rp

W (mm) \ H (mm)		W (mm)														
		501-600	601-700	701-800	801-900	901-1,000	1,001-1,100	1,101-1,200	1,201-1,300	1,301-1,400	1,401-1,500	1,501-1,600	1,601-1,700	1,701-1,800	1,801-1,900	1,901-2,000
300	~	0.54	0.56	0.58	0.60	0.64	0.66	0.68	0.70	0.72	0.74	0.76	0.78	0.81	0.83	0.85
301	~	0.56	0.58	0.60	0.63	0.66	0.68	0.71	0.73	0.75	0.77	0.79	0.81	0.83	0.85	0.87
401	~	0.59	0.61	0.63	0.65	0.69	0.71	0.73	0.75	0.77	0.79	0.81	0.83	0.85	0.88	0.90
501	~	0.61	0.63	0.65	0.67	0.71	0.73	0.76	0.78	0.80	0.82	0.84	0.86	0.88	0.90	0.92
601	~	0.64	0.66	0.68	0.70	0.74	0.76	0.78	0.80	0.82	0.84	0.86	0.88	0.90	0.92	0.94
701	~	0.66	0.68	0.70	0.72	0.76	0.78	0.80	0.83	0.85	0.87	0.89	0.91	0.93	0.95	0.97
801	~	0.69	0.71	0.73	0.75	0.79	0.81	0.83	0.85	0.87	0.89	0.91	0.93	0.96	0.98	1.00
901	~	0.71	0.73	0.75	0.78	0.81	0.83	0.86	0.88	0.90	0.92	0.94	0.96	0.98	1.00	1.02
1,001	~	0.74	0.76	0.78	0.80	0.84	0.86	0.88	0.90	0.92	0.94	0.96	0.98	1.00	1.03	1.05
1,101	~	0.76	0.78	0.80	0.82	0.86	0.88	0.91	0.93	0.95	0.97	0.99	1.01	1.03	1.05	1.07

FIX/SLIDING 2 LEAVES/FIX

SYSTEM DRAWING

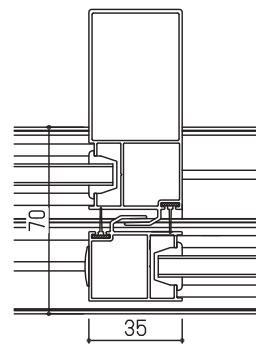
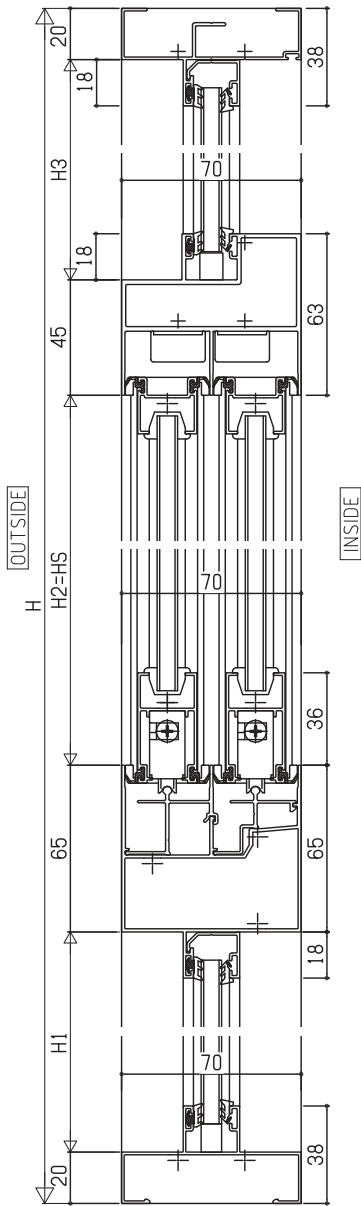
CRESCENT LOCK



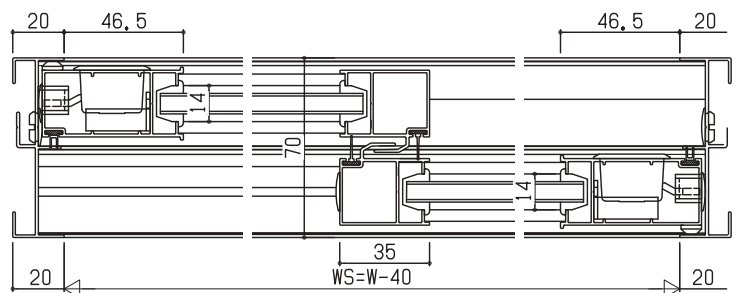
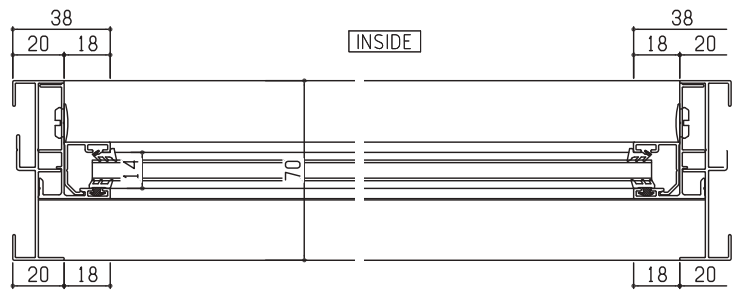
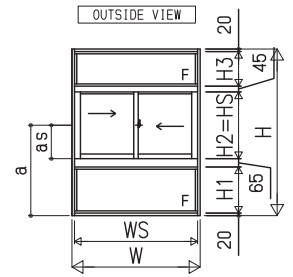
FIX/SLIDING 2 LEAVES/FIX

SYSTEM DRAWING

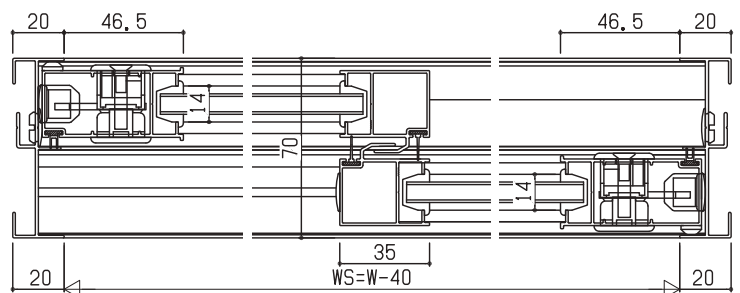
HOOK LOCK



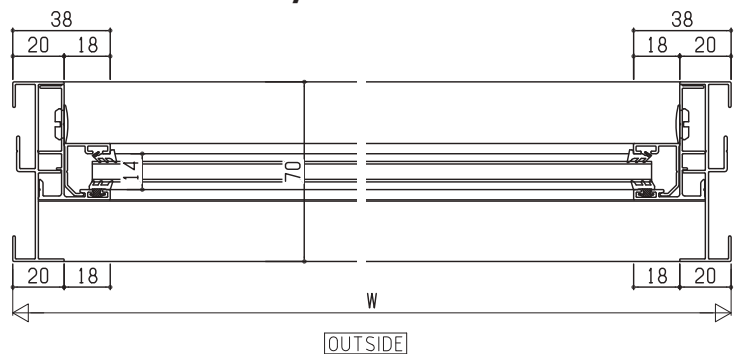
B TYPE



A TYPE



Hook Lock with key



SLIDING 4 LEAVES

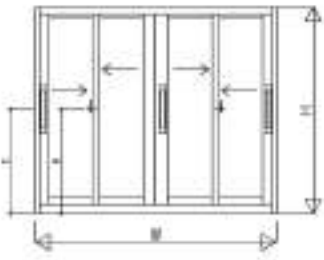


Performance

Structural (Wind Load)	1,200 Pa
Water Tightness	200 Pa
Sound Insulation	-25 dB

Standard Specifications

OUTSIDE VIEW



- Crescent Height : a**
- $H/2+5$
 - 645
 - Custom
- Hook Lock Height : a**
- $H/2+5$
 - 645
 - Custom

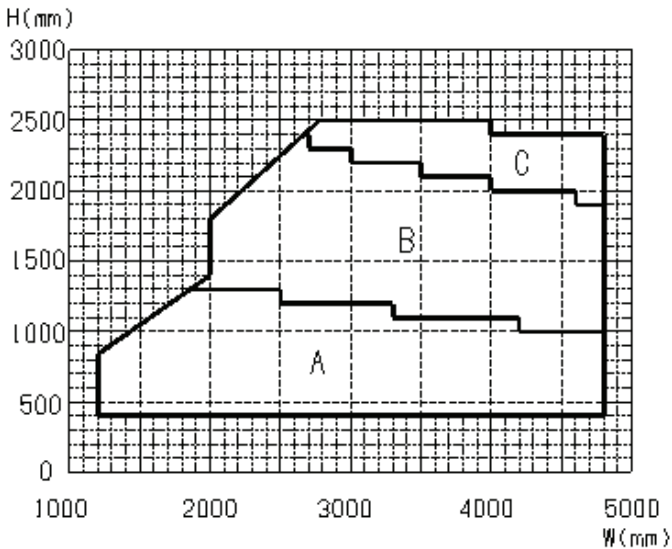
Specifications

Selected parts :
Crescent, Hook Lock, Hook Lock with key

Glass

Glass Size	Qty	Thickness
$(W/4-64) \times (H-117)$	4	5,6,8

Size Limitation



SEE SYSTEM DRAWING (P21, 22) FOR A, B, C

SLIDING 4 LEAVES




PRICE LIST

CRESCENT

Juta Rp

H (mm) \ W (mm)	W (mm)																			
	1.200	1.300	1.400	1.500	1.600	1.700	1.800	1.900	2.000	2.100	2.200	2.300	2.400	2.500	2.600	2.700	2.800	2.900	3.000	
401 ~ 500	1,80	1,84	1,89	1,93	1,97	2,02	2,06	2,11	2,16	2,21	2,25	2,29	2,34	2,38	2,42	2,47	2,51	2,56	2,61	
501 ~ 600	1,89	1,93	1,97	2,02	2,06	2,10	2,15	2,19	2,25	2,29	2,34	2,38	2,42	2,47	2,51	2,55	2,60	2,64	2,69	
601 ~ 700	1,97	2,02	2,06	2,10	2,15	2,19	2,23	2,28	2,34	2,38	2,42	2,47	2,51	2,55	2,60	2,64	2,69	2,73	2,78	
701 ~ 800	2,06	2,10	2,15	2,19	2,23	2,28	2,32	2,37	2,42	2,47	2,51	2,55	2,60	2,64	2,69	2,73	2,77	2,82	2,87	
801 ~ 900	2,14	2,19	2,23	2,28	2,32	2,36	2,41	2,45	2,51	2,55	2,60	2,64	2,68	2,73	2,77	2,82	2,86	2,90	2,95	
901 ~ 1.000	2,23	2,28	2,32	2,36	2,41	2,45	2,49	2,54	2,60	2,64	2,68	2,73	2,78	2,82	2,86	2,91	2,95	3,00	3,04	
1.001 ~ 1.100			2,41	2,46	2,50	2,54	2,59	2,63	2,69	2,73	2,78	2,83	2,87	2,92	2,96	3,00	3,05	3,09	3,13	
1.101 ~ 1.200				2,55	2,60	2,64	2,68	2,73	2,78	2,83	2,87	2,92	2,96	3,00	3,05	3,09	3,13	3,18	3,22	
1.201 ~ 1.300					2,68	2,73	2,77	2,82	2,87	2,92	2,96	3,00	3,05	3,09	3,13	3,18	3,22	3,27	3,32	
1.301 ~ 1.400						2,86	2,90	2,96	3,00	3,05	3,09	3,13	3,18	3,22	3,27	3,32	3,37	3,42	3,47	
1.401 ~ 1.500							3,59	3,65	3,70	3,74	3,79	3,84	3,88	3,93	3,98	4,02	4,07	4,12	4,17	
1.501 ~ 1.600									3,81	3,86	3,91	3,95	4,00	4,05	4,09	4,14	4,19	4,24	4,29	
1.601 ~ 1.700									3,94	3,99	4,04	4,08	4,13	4,18	4,22	4,27	4,31	4,37	4,41	
1.701 ~ 1.800									4,06	4,10	4,15	4,20	4,24	4,29	4,34	4,38	4,43	4,48	4,53	
1.801 ~ 1.900									4,17	4,22	4,27	4,31	4,36	4,41	4,45	4,50	4,55	4,60	4,65	
1.901 ~ 2.000									4,29	4,34	4,38	4,43	4,48	4,52	4,57	4,61	4,66	4,71	4,76	
2.001 ~ 2.100										4,45	4,50	4,54	4,59	4,64	4,68	4,73	4,78	4,83	4,88	
2.101 ~ 2.200											4,61	4,66	4,71	4,75	4,80	4,85	4,89	4,95	5,00	
2.201 ~ 2.300												4,78	4,82	4,87	4,91	4,96	5,01	5,06	5,11	
2.301 ~ 2.400													6,05	6,10	6,16	6,22	6,27	6,33	6,38	
2.401 ~ 2.500														6,25	6,30	6,37	6,43	6,49	6,55	
															6,87	6,93	7,00	7,06	7,13	

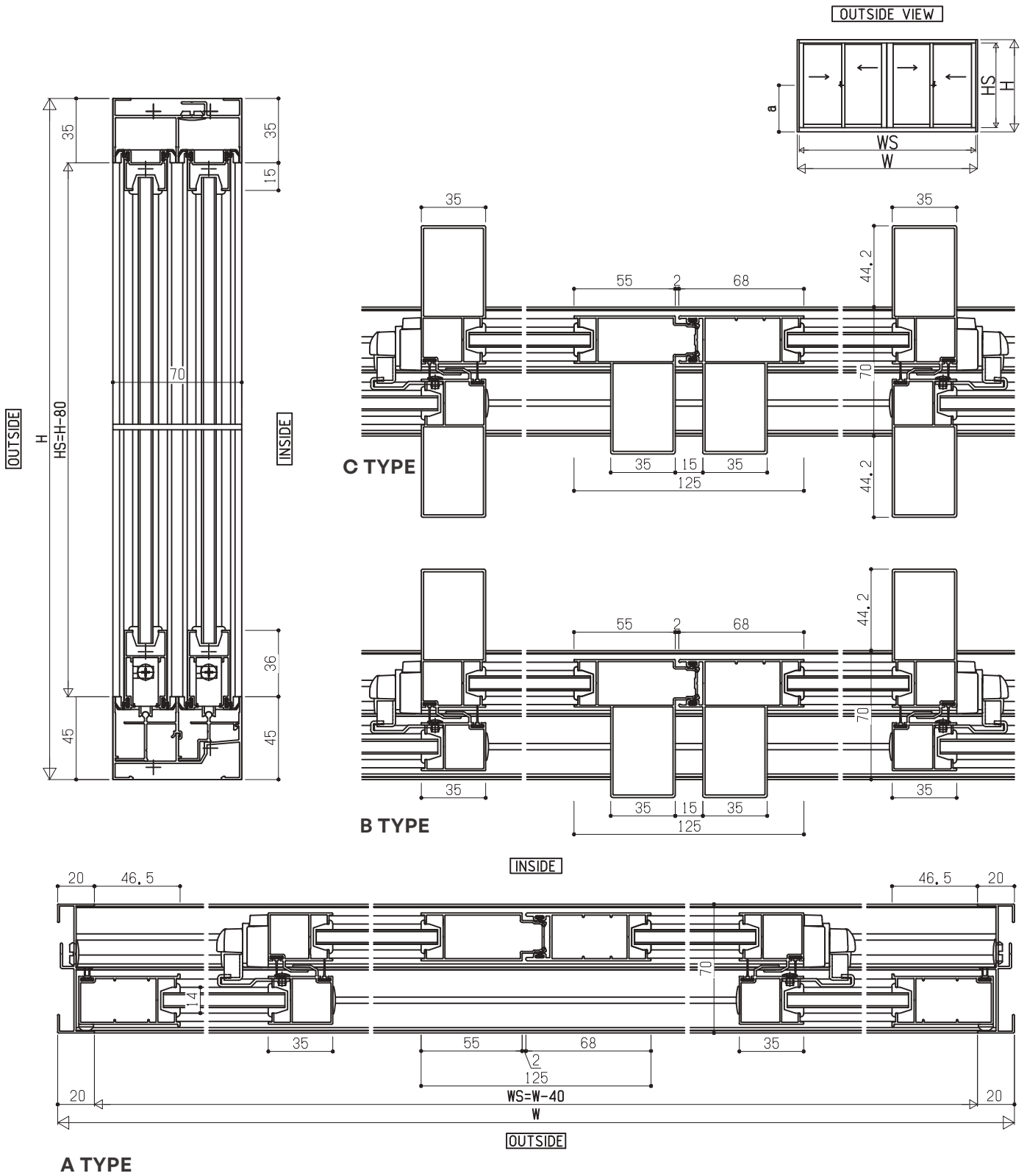
H (mm) \ W (mm)	W (mm)																			
	3.100	3.200	3.300	3.400	3.500	3.600	3.700	3.800	3.900	4.000	4.100	4.200	4.300	4.400	4.500	4.600	4.700	4.800	4.900	
401 ~ 500	2,65	2,69	2,74	2,78	2,83	2,87	2,91	2,96	3,00	3,06	3,10	3,15	3,19	3,23	3,28	3,32	3,37	3,41	3,45	
501 ~ 600	2,74	2,78	2,83	2,87	2,91	2,96	3,00	3,04	3,09	3,14	3,19	3,23	3,28	3,32	3,36	3,41	3,45	3,49	3,54	
601 ~ 700	2,82	2,87	2,91	2,96	3,00	3,04	3,09	3,13	3,18	3,23	3,28	3,32	3,36	3,41	3,45	3,49	3,54	3,58	3,63	
701 ~ 800	2,91	2,95	3,00	3,04	3,09	3,13	3,17	3,22	3,26	3,31	3,35	3,40	3,44	3,49	3,54	3,58	3,62	3,67	3,71	
801 ~ 900	3,00	3,04	3,09	3,13	3,17	3,22	3,26	3,30	3,35	3,39	3,44	3,49	3,54	3,58	3,62	3,67	3,71	3,75	3,80	
901 ~ 1.000	3,08	3,13	3,17	3,22	3,26	3,30	3,35	3,39	3,44	3,49	3,54	3,58	3,62	3,67	3,71	3,75	3,80	3,85	3,89	
1.001 ~ 1.100	3,18	3,22	3,26	3,31	3,35	3,40	3,44	3,48	3,53	3,58	3,63	3,67	3,72	3,76	3,80	3,85	3,89	3,94	3,99	
1.101 ~ 1.200	3,27	3,32	3,36	3,41	3,45	3,49	3,54	3,58	3,62	3,68	3,73	3,77	3,82	3,86	3,91	3,95	4,00	4,05	4,10	
1.201 ~ 1.300	3,36	3,40	3,45	3,49	3,54	3,58	3,62	3,67	3,71	3,76	3,81	3,85	3,90	3,94	3,99	4,04	4,09	4,14	4,19	
1.301 ~ 1.400	4,05	4,10	4,15	4,19	4,24	4,29	4,33	4,38	4,43	4,49	4,53	4,58	4,62	4,67	4,72	4,76	4,81	4,86	4,91	
1.401 ~ 1.500	4,17	4,22	4,26	4,31	4,36	4,40	4,45	4,49	4,54	4,60	4,65	4,69	4,74	4,79	4,83	4,88	4,93	4,97	5,02	
1.501 ~ 1.600	4,29	4,33	4,38	4,42	4,47	4,52	4,56	4,61	4,66	4,72	4,76	4,81	4,86	4,90	4,95	5,00	5,04	5,09	5,14	
1.601 ~ 1.700	4,41	4,46	4,51	4,55	4,60	4,65	4,69	4,74	4,79	4,85	4,89	4,94	4,98	5,03	5,08	5,12	5,17	5,22	5,27	
1.701 ~ 1.800	4,53	4,58	4,62	4,67	4,72	4,76	4,81	4,85	4,90	4,96	5,01	5,05	5,10	5,15	5,20	5,25	5,30	5,35	5,40	
1.801 ~ 1.900	4,65	4,69	4,74	4,78	4,83	4,88	4,92	4,97	5,02	5,08	5,12	5,17	5,22	5,27	5,32	5,37	5,42	5,47	5,52	
1.901 ~ 2.000	4,76	4,81	4,85	4,90	4,95	4,99	5,04	5,09	5,13	5,19	5,24	5,28	5,33	5,38	5,42	5,47	5,52	5,57	5,62	
2.001 ~ 2.100	4,88	4,92	4,97	5,02	5,06	5,11	5,15	5,20	5,24	5,30	5,35	5,40	5,45	5,50	5,55	5,60	5,65	5,70	5,75	
2.101 ~ 2.200	4,99	5,04	5,08	5,13	5,17	5,22	5,26	5,31	5,35	5,41	5,46	5,51	5,56	5,61	5,66	5,71	5,76	5,81	5,86	
2.201 ~ 2.300	6,24	6,30	6,36	6,41	6,47	6,52	6,57	6,62	6,67	6,73	6,78	6,83	6,88	6,93	6,98	7,03	7,08	7,13	7,18	
2.301 ~ 2.400	6,79	6,85	6,91	6,96	7,02	7,07	7,13	7,19	7,25	7,31	7,37	7,43	7,49	7,55	7,61	7,67	7,73	7,79	7,85	
2.401 ~ 2.500	6,95	7,01	7,06	7,12	7,18	7,23	7,29	7,35	7,40	7,48	7,53	7,59	7,65	7,70	7,76	7,82	7,87	7,93	7,99	
	7,11	7,16	7,22	7,28	7,33	7,39	7,45	7,50	7,56	7,63										

-  Stile A type
-  Stile B type
-  Stile C type

* For the specifications with **Hook Lock**, 0.31 juta/set will be added to the price above

* For the specifications **Hook Lock with key**, 0.76 juta/set will be added to the price above.

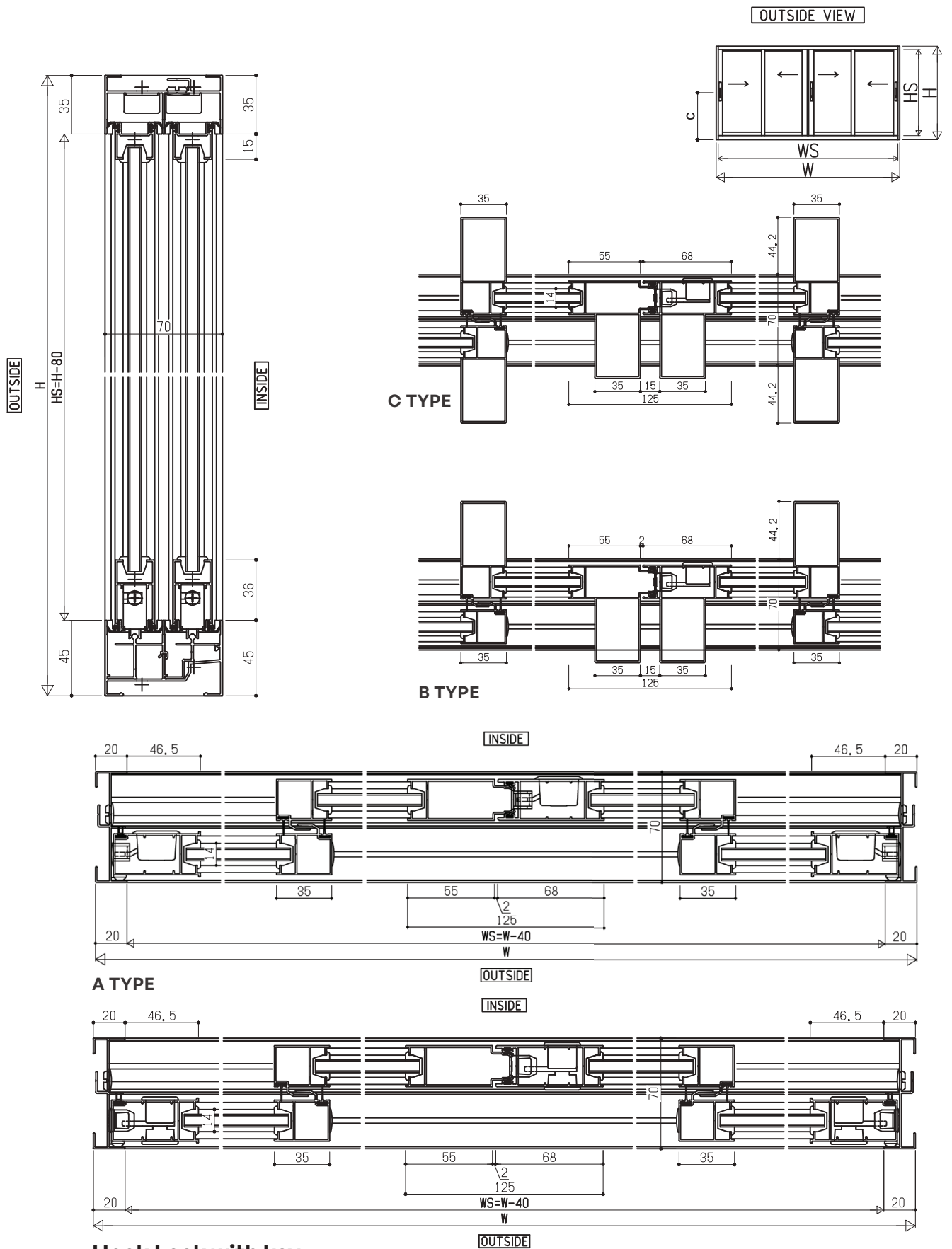
*This price is not included glass, assembling fee, delivery fee and installation fee.



* The stile type is automatically selected according to the size range.
Please check the size limitation graph.

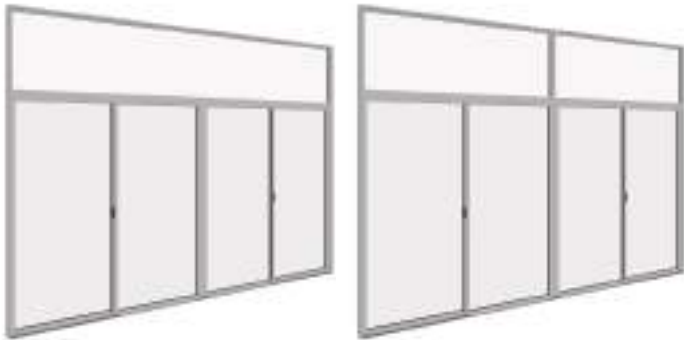
SLIDING 4 LEAVES SYSTEM DRAWING

HOOK LOCK



* The stile type is automatically selected according to the size range.
Please check the size limitation graph.

FIX/SLIDING 4 LEAVES



W>2400 FIX will be divided by Muntin

Glass

Without Muntin

	Glass Size	Qty	Thickness
SL	$(W/2-66) \times (H1-37)$	4	5,6,8
FIX	$(W-62) \times (H2-22)$	1	5,6,8

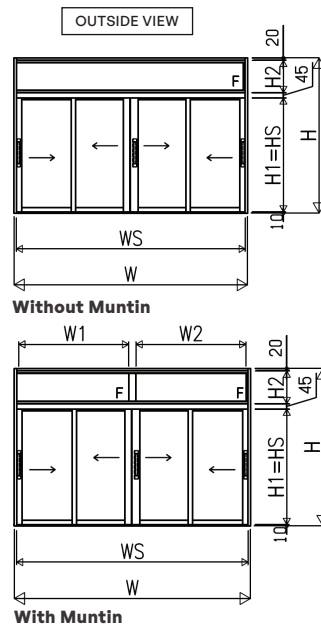
With Muntin

	Glass Size	Qty	Thickness
SL	$(W/2-66) \times (H1-37)$	4	5,6,8
FIX	$(W/2-54,5) \times (H2-22)$	2	5,6,8

Performance

Structural (Wind Load)	1200 Pa
Water Tightness	200 Pa
Sound Insulation	-25 dB

Standard Specification



Crescent Height : as

- H1/2
- 600
- Custom

Hook Lock Height : c

- H1/2
- 600
- Custom

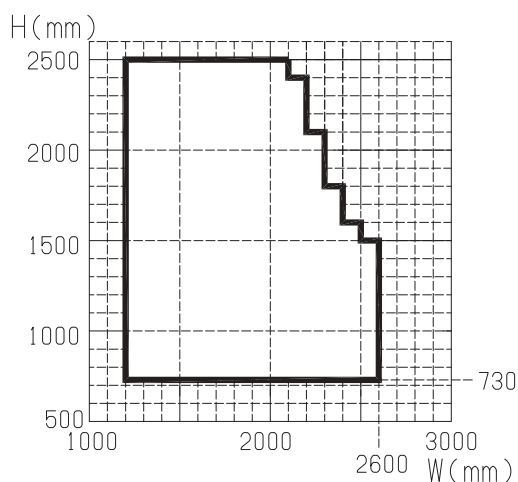
Specifications

Selected parts :

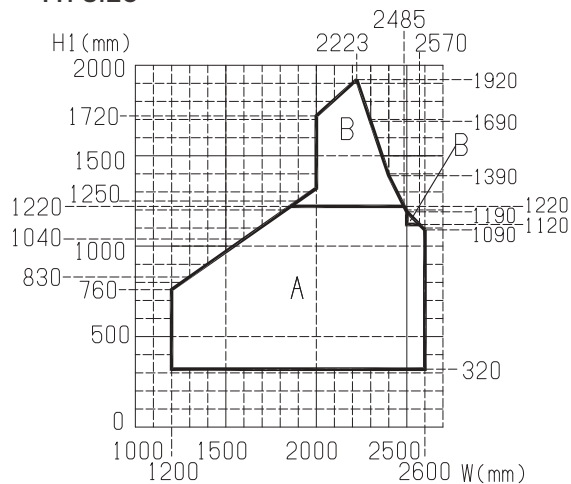
Crescent, Hook Lock, Hook Lock with key

Size Limitation

WH size



H1 size

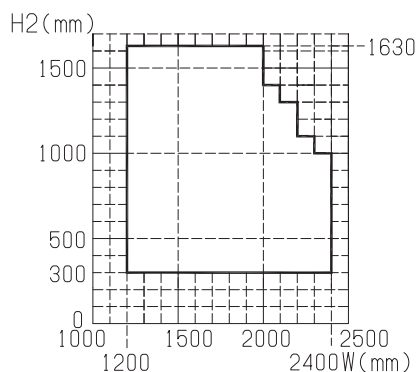


FIX/SLIDING 4 LEAVES

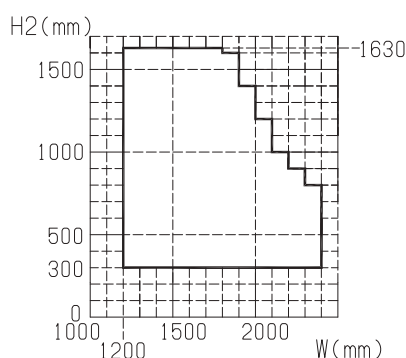
SIZE LIMITATION & PRICE LIST

Size Limitation

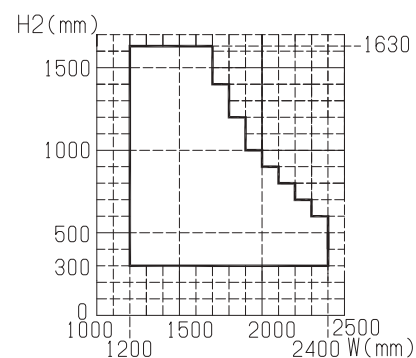
H2 size



Glass thickness 5 mm



Glass thickness 6 mm



Glass thickness 8 mm

Size Limitation

1 See the price list below for the upper FIX

2 See page **28** for the lower Sliding window

Price : 1 + 2

* The price list below is for 1 unit of FIX.

When W>2400, 1 unit will be divided to 2 units by Muntin, and the price count double.

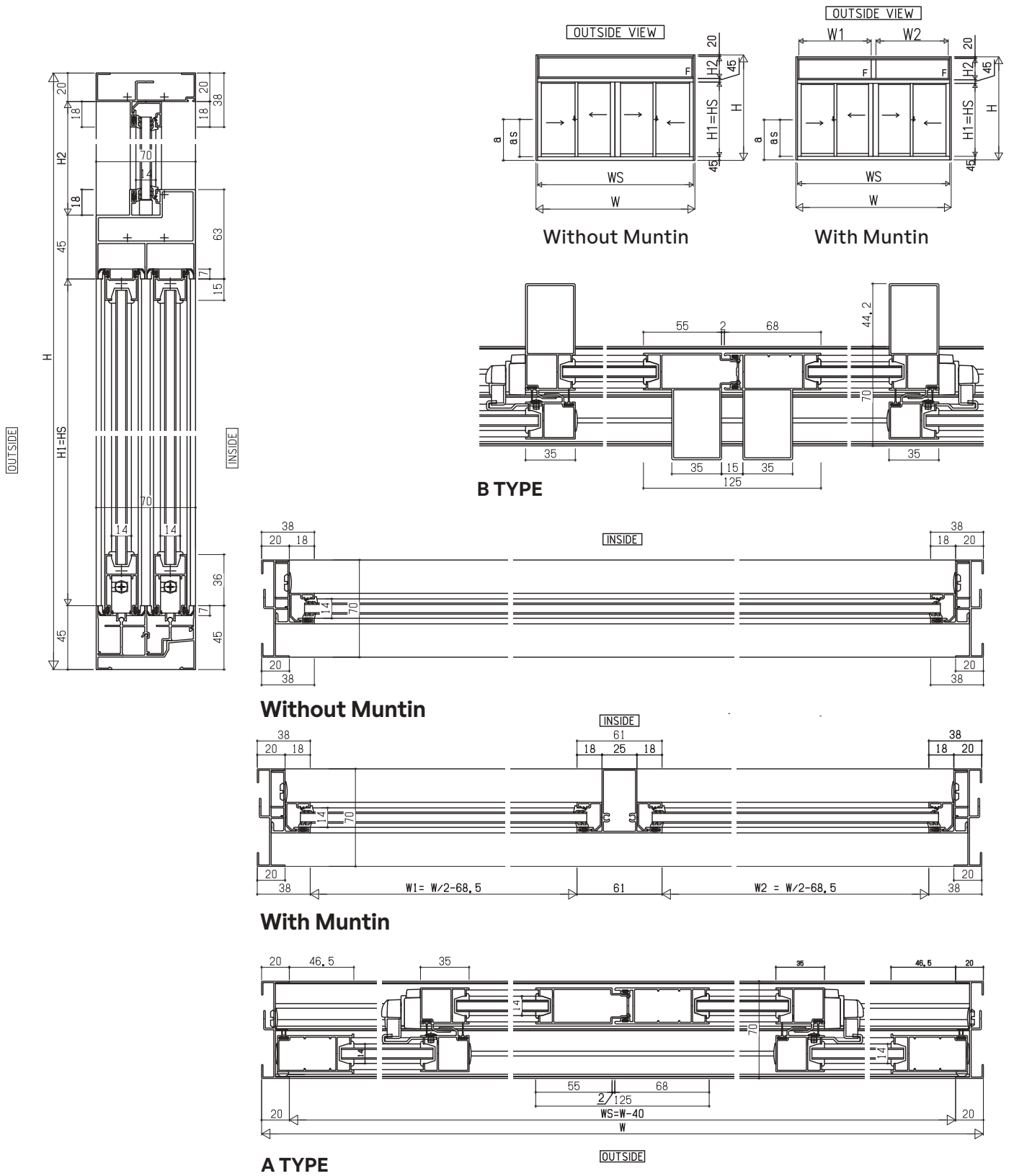
FIX (Transom Price Included)

Juta Rp

W (mm) \ H (mm)		H (mm)													
		1,200	1,201-1,300	1,301-1,400	1,401-1,500	1,501-1,600	1,601-1,700	1,701-1,800	1,801-1,900	1,901-2,000	2,001-2,100	2,101-2,200	2,201-2,300	2,301-2,400	
300	~	0.86	0.88	0.90	0.93	0.95	0.98	1.00	1.02	1.04	1.07	0.98	1.01	1.03	
301	~	400	0.88	0.90	0.93	0.95	0.98	1.00	1.02	1.05	1.07	1.09	1.01	1.03	1.06
401	~	500	0.91	0.93	0.95	0.98	1.00	1.03	1.05	1.07	1.09	1.12	1.03	1.06	1.08
501	~	600	0.93	0.95	0.98	1.00	1.03	1.05	1.07	1.10	1.12	1.14	1.06	1.08	1.11
601	~	700	0.96	0.98	1.00	1.03	1.05	1.08	1.10	1.12	1.14	1.17	1.08	1.10	1.13
701	~	800	0.98	1.00	1.03	1.05	1.08	1.10	1.12	1.15	1.17	1.19	1.11	1.13	1.15
801	~	900	1.01	1.03	1.05	1.08	1.10	1.13	1.15	1.17	1.19	1.22	1.13	1.16	1.18
901	~	1,000	1.03	1.05	1.08	1.10	1.13	1.15	1.17	1.20	1.22	1.24	1.16	1.18	1.21
1,001	~	1,100	1.06	1.08	1.10	1.13	1.15	1.18	1.20	1.22	1.24	1.27	1.18	1.21	
1,101	~	1,200	1.08	1.10	1.13	1.15	1.18	1.20	1.22	1.25	1.27	1.29	1.21		
1,201	~	1,300	1.11	1.13	1.15	1.18	1.20	1.23	1.25	1.27	1.29	1.32	1.23		
1,301	~	1,400	1.13	1.16	1.18	1.20	1.23	1.25	1.28	1.30	1.32	1.34			
1,401	~	1,500	1.16	1.18	1.20	1.23	1.25	1.28	1.30	1.32	1.34				
1,501	~	1,600	1.18	1.20	1.23	1.25	1.28	1.30	1.32	1.35	1.37				
1,601	~	1,700	1.21	1.23	1.25	1.28	1.30	1.33	1.35	1.37	1.39				

FIX/SLIDING 4 LEAVES SYSTEM DRAWING

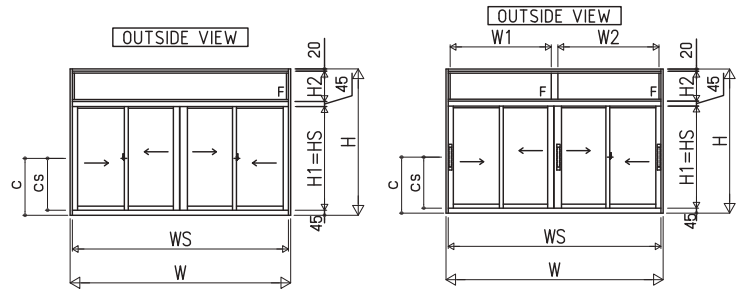
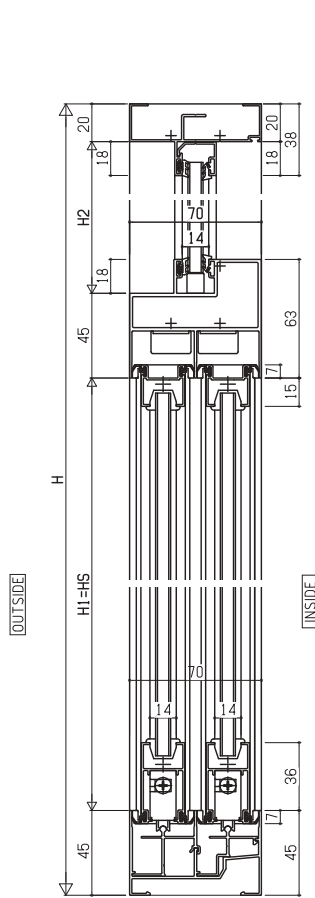
CRESCENT LOCK



FIX/SLIDING 4 LEAVES

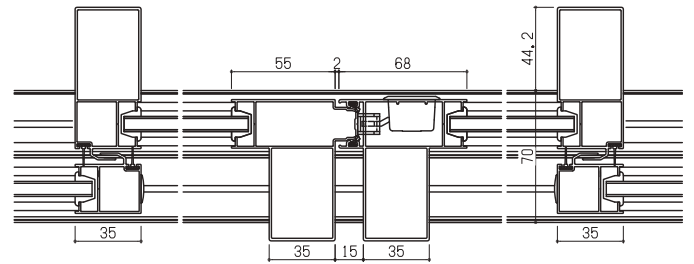
SYSTEM DRAWING

HOOK LOCK

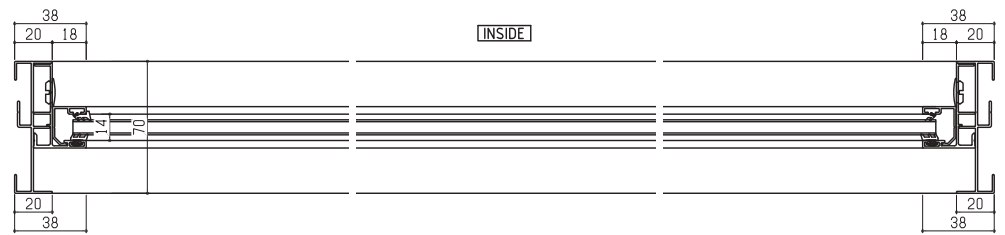


Without Muntin

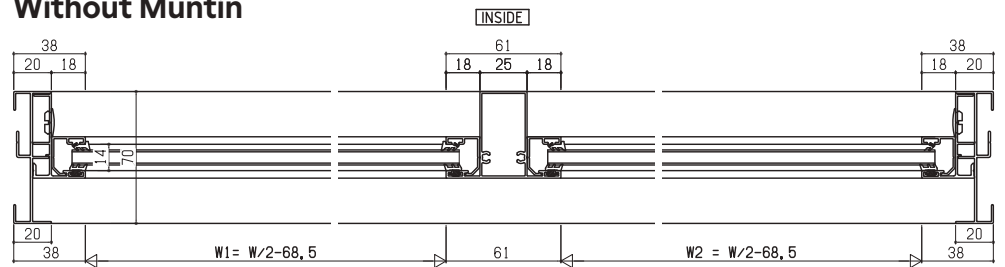
With Muntin



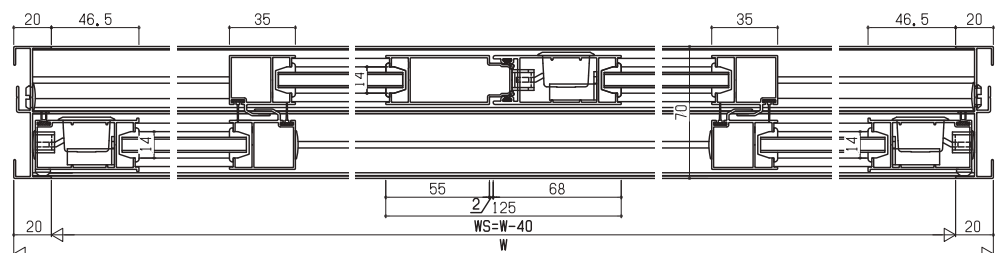
B TYPE



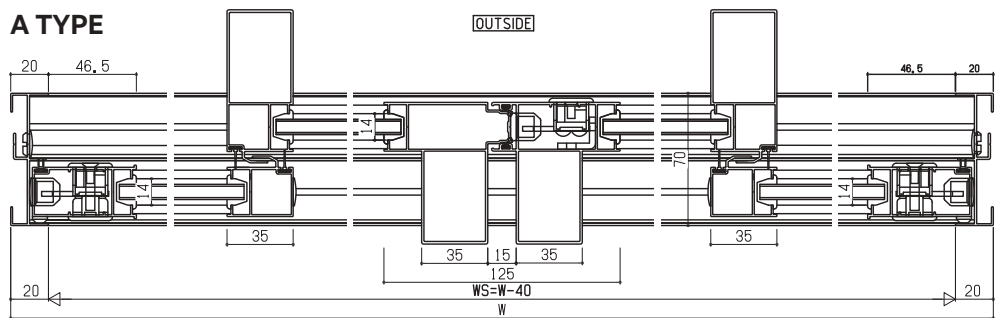
Without Muntin



With Muntin



A TYPE



Hook Lock With Key

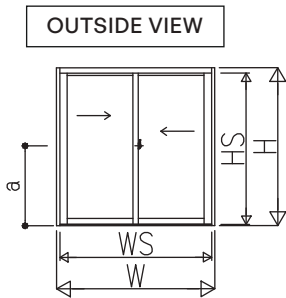
SLIDING FLAT SILL 2 LEAVES



Performance

Structural (Wind Load)	-
Water Tightness	-
Sound Insulation	-

Standard Specifications



Crescent Height : a

- H/2-12.5
- 610
- Custom

Hook Lock / Hook Lock with key

Height : c

- H/2-12.5
- 610
- Custom

Specifications

Selected parts :

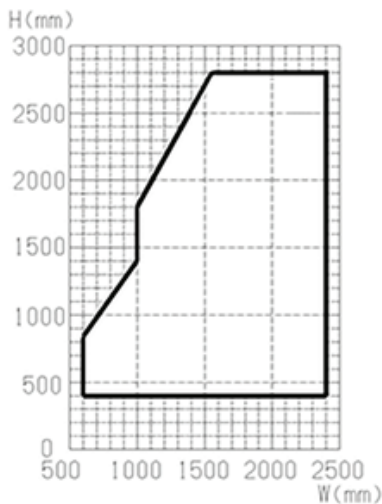
Crescent, Hook Lock, Hook Lock with key

Glass

Glass Size	Qty	Thickness
(W/2-66) × (H-89)	2	5,6,8

- FOR H>2500 USE GLASS ONLY 6mm & 8mm

Size Limitation



SLIDING FLAT SILL 2 LEAVES

PRICE LIST

CRESCENT

Juta Rp

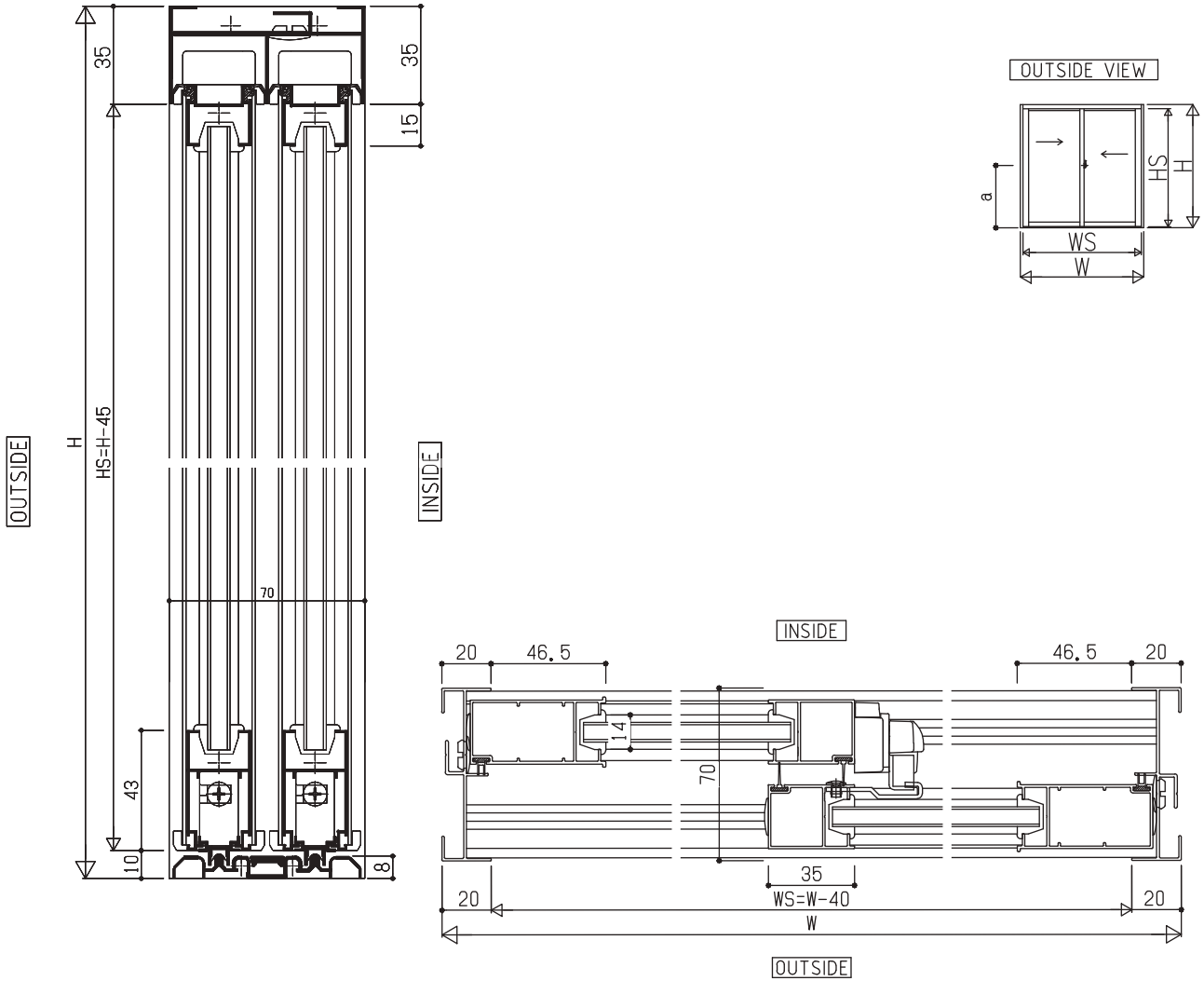
H (mm) \ W (mm)	W (mm)																			
	600	601-700	701-800	801-900	901-1,000	1,001-1,100	1,101-1,200	1,201-1,300	1,301-1,400	1,401-1,500	1,501-1,600	1,601-1,700	1,701-1,800	1,801-1,900	1,901-2,000	2,001-2,100	2,101-2,200	2,201-2,300	2,301-2,400	
400	1.02	1.06	1.11	1.15	1.20	1.24	1.28	1.33	1.37	1.42	1.46	1.51	1.55	1.59	1.64	1.68	1.73	1.77	1.82	
401 ~ 500	1.08	1.12	1.17	1.21	1.26	1.30	1.34	1.39	1.43	1.48	1.52	1.56	1.61	1.65	1.70	1.74	1.79	1.83	1.88	
501 ~ 600	1.14	1.18	1.23	1.27	1.32	1.36	1.40	1.45	1.49	1.54	1.58	1.62	1.67	1.71	1.76	1.80	1.85	1.89	1.94	
601 ~ 700	1.20	1.24	1.29	1.33	1.38	1.42	1.46	1.51	1.55	1.60	1.64	1.68	1.73	1.77	1.82	1.86	1.91	1.95	2.00	
701 ~ 800	1.26	1.31	1.35	1.39	1.44	1.48	1.52	1.57	1.61	1.66	1.70	1.74	1.79	1.83	1.88	1.92	1.97	2.01	2.05	
801 ~ 900	1.32	1.37	1.41	1.45	1.50	1.54	1.58	1.63	1.67	1.72	1.76	1.80	1.85	1.89	1.94	1.98	2.03	2.07	2.11	
901 ~ 1,000		1.43	1.47	1.52	1.56	1.60	1.65	1.69	1.73	1.78	1.82	1.87	1.91	1.95	2.00	2.04	2.09	2.13	2.18	
1,001 ~ 1,100			1.53	1.58	1.62	1.66	1.71	1.75	1.80	1.84	1.88	1.93	1.97	2.01	2.06	2.10	2.15	2.19	2.23	
1,101 ~ 1,200			1.60	1.64	1.68	1.73	1.77	1.81	1.86	1.90	1.94	1.99	2.03	2.07	2.12	2.16	2.21	2.25	2.29	
1,201 ~ 1,300				1.70	1.74	1.79	1.83	1.87	1.92	1.96	2.00	2.05	2.09	2.13	2.18	2.22	2.27	2.31	2.36	
1,301 ~ 1,400					1.81	1.85	1.89	1.93	1.98	2.02	2.06	2.11	2.15	2.20	2.24	2.28	2.33	2.37	2.42	
1,401 ~ 1,500					1.87	1.91	1.95	2.00	2.04	2.08	2.12	2.17	2.21	2.26	2.30	2.34	2.39	2.43	2.48	
1,501 ~ 1,600					1.93	1.97	2.02	2.06	2.10	2.15	2.19	2.23	2.28	2.32	2.36	2.41	2.45	2.50	2.54	
1,601 ~ 1,700					1.99	2.04	2.08	2.12	2.16	2.21	2.25	2.29	2.34	2.38	2.43	2.47	2.51	2.56	2.60	
1,701 ~ 1,800					2.06	2.10	2.14	2.18	2.23	2.27	2.31	2.35	2.40	2.44	2.49	2.53	2.57	2.62	2.66	
1,801 ~ 1,900						2.16	2.20	2.25	2.29	2.33	2.37	2.42	2.46	2.50	2.55	2.59	2.63	2.68	2.72	
1,901 ~ 2,000						2.22	2.26	2.31	2.35	2.39	2.43	2.48	2.52	2.56	2.61	2.65	2.69	2.74	2.78	
2,001 ~ 2,100								2.33	2.37	2.41	2.45	2.50	2.54	2.58	2.62	2.67	2.71	2.75	2.80	
2,101 ~ 2,200								2.39	2.43	2.47	2.52	2.56	2.60	2.64	2.69	2.73	2.77	2.82	2.86	
2,201 ~ 2,300									2.49	2.53	2.58	2.62	2.66	2.70	2.75	2.79	2.83	2.88	2.92	
2,301 ~ 2,400									2.55	2.60	2.64	2.68	2.72	2.77	2.81	2.85	2.90	2.94	2.98	
2,401 ~ 2,500										2.66	2.70	2.74	2.79	2.83	2.87	2.91	2.96	3.00	3.04	
2,501 ~ 2,600										2.72	2.76	2.81	2.85	2.89	2.94	2.98	3.02	3.06	3.11	
2,601 ~ 2,700											2.83	2.87	2.91	2.95	3.00	3.04	3.08	3.13	3.17	
2,701 ~ 2,800												2.89	2.93	2.97	3.02	3.06	3.10	3.15	3.20	

- * For the specifications with **Hook Lock**, 0.21 juta/set will be added to the price above
- * For the specifications with **Hook Lock with key**, 0.53 juta/set will be added to the price above.
- * This price is not included glass, assembling fee, delivery fee and installation fee.

SLIDING FLAT SILL 2 LEAVES

SYSTEM DRAWING

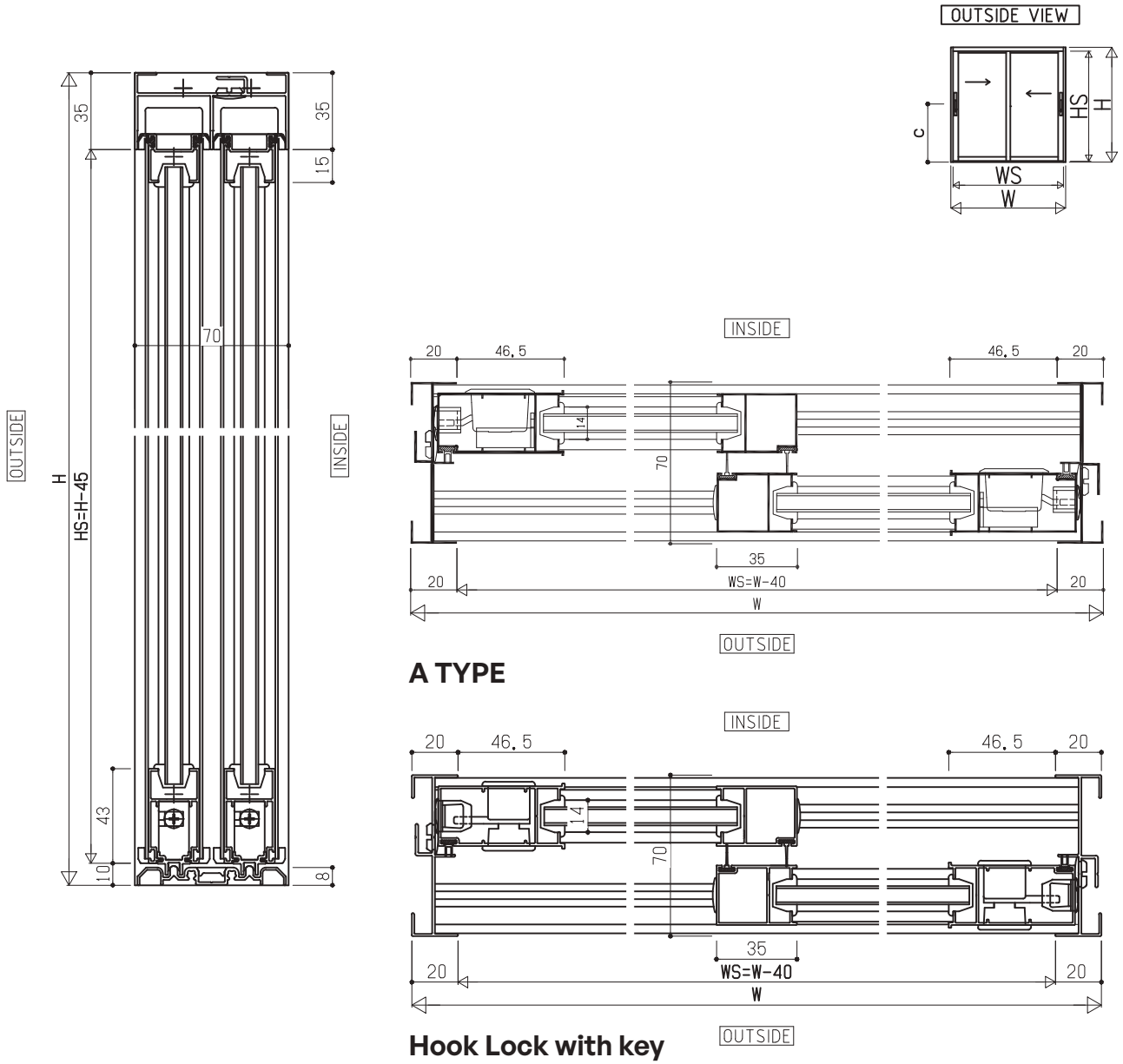
CRESCENT LOCK



SLIDING FLAT SILL 2 LEAVES

SYSTEM DRAWING

HOOK LOCK



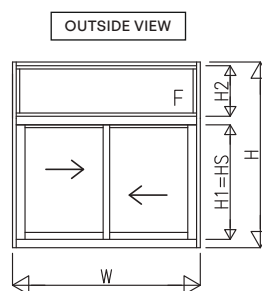
FIX/SLIDING FLAT SILL 2 LEAVES



Performance

Structural (Wind Load)	-
Water Tightness	-
Sound Insulation	-

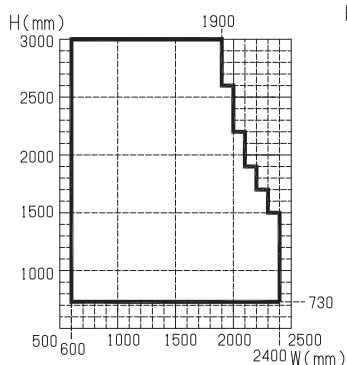
Standard Specification



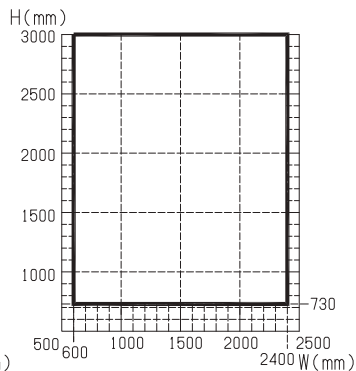
- Crescent Height : as**
- H1/2
 - 600
 - Custom
- Hook Lock Height : c**
- H1/2
 - 600
 - Custom

Size Limitation

WH size



H1 size



For H>2500 use glass only 6mm & 8mm

Specifications

Selected parts :

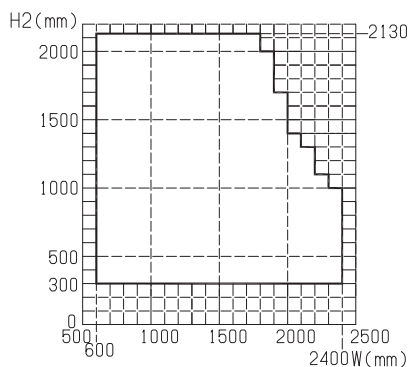
Crescent, Hook Lock, Hook Lock with key

Glass

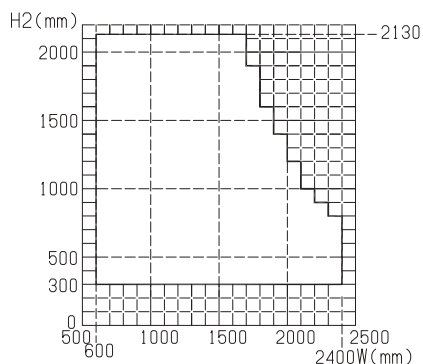
	Glass Size	Qty	Thickness
SL	(W/2-66)×(H1-44)	2	5,6,8
FIX	(W-62)×(H2-22)	1	5,6,8

Size Limitation

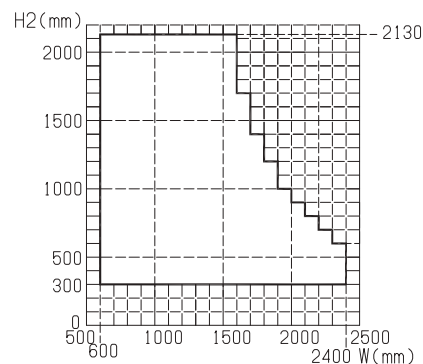
H2 size



Glass thickness 5 mm



Glass thickness 6 mm



Glass thickness 8 mm

FIX/SLIDING FLAT SILL 2 LEAVES

PRICE LIST

1 See the price list below for the upper FIX

2 See page **36** for the lower Sliding window

Price : +

FIX (Transom Price Included)

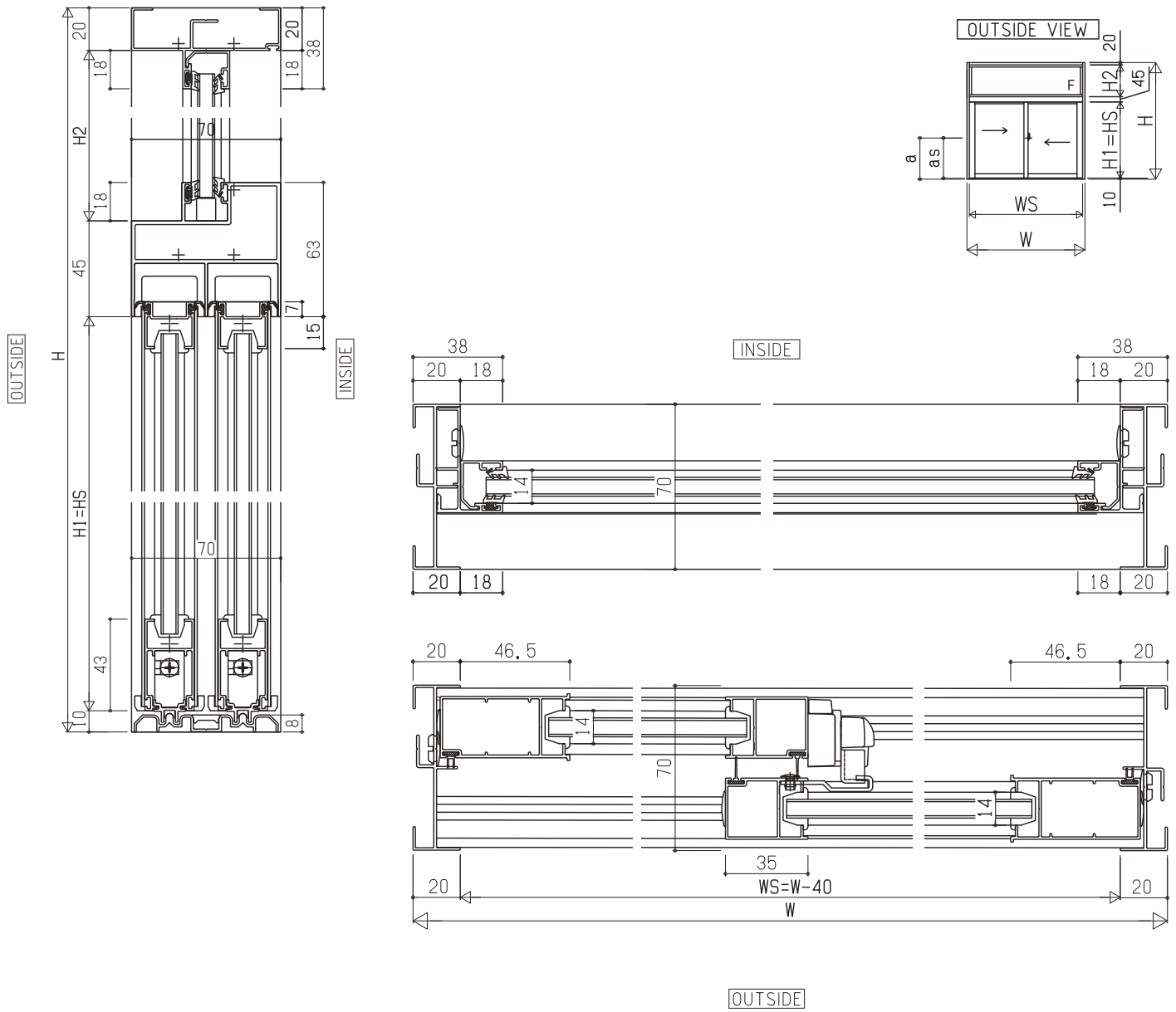
Juta Rp

W (mm)		600	601-700	701-800	801-900	901-1,000	1,001-1,100	1,101-1,200	1,201-1,300	1,301-1,400	1,401-1,500	1,501-1,600	1,601-1,700	1,701-1,800	1,801-1,900	1,901-2,000	2,001-2,100	2,101-2,200	2,201-2,300	2,301-2,400			
H (mm)		300	400	500	600	700	800	900	1,000	1,100	1,200	1,300	1,400	1,500	1,600	1,700	1,800	1,900	2,000	2,100	2,200	2,300	2,400
301	~	0.43	0.45	0.47	0.50	0.52	0.54	0.57	0.59	0.62	0.64	0.66	0.69	0.71	0.73	0.76	0.78	0.80	0.83	0.85	0.88	0.90	0.93
401	~	0.45	0.47	0.50	0.52	0.55	0.57	0.59	0.62	0.64	0.66	0.69	0.71	0.74	0.76	0.78	0.81	0.83	0.85	0.88	0.90	0.93	0.95
501	~	0.48	0.50	0.52	0.55	0.57	0.59	0.62	0.64	0.67	0.69	0.71	0.74	0.76	0.78	0.81	0.83	0.85	0.88	0.90	0.93	0.95	0.98
601	~	0.50	0.52	0.55	0.57	0.59	0.62	0.64	0.67	0.69	0.71	0.74	0.76	0.79	0.81	0.83	0.86	0.88	0.90	0.93	0.95	0.98	1.00
701	~	0.52	0.55	0.57	0.60	0.62	0.64	0.67	0.69	0.72	0.74	0.76	0.79	0.81	0.83	0.86	0.88	0.90	0.93	0.95	0.98	1.00	1.03
801	~	0.55	0.57	0.60	0.62	0.64	0.67	0.69	0.72	0.74	0.77	0.79	0.81	0.84	0.86	0.88	0.91	0.93	0.95	0.98	1.00	1.03	1.05
901	~	0.58	0.60	0.62	0.65	0.67	0.69	0.72	0.74	0.77	0.79	0.81	0.84	0.86	0.88	0.91	0.93	0.96	0.98	1.00	1.03	1.05	1.07
1,001	~	0.60	0.62	0.65	0.67	0.70	0.72	0.74	0.77	0.79	0.81	0.84	0.86	0.89	0.91	0.93	0.96	0.98	1.00	1.03	1.05	1.07	1.09
1,101	~	0.63	0.65	0.67	0.70	0.72	0.74	0.77	0.79	0.82	0.84	0.86	0.89	0.91	0.93	0.96	0.98	1.00	1.03	1.05	1.07	1.09	1.11
1,201	~	0.65	0.67	0.70	0.72	0.74	0.77	0.79	0.82	0.84	0.86	0.89	0.91	0.94	0.96	0.98	1.00	1.03	1.05	1.07	1.09	1.11	1.13
1,301	~	0.67	0.70	0.72	0.75	0.77	0.79	0.82	0.84	0.87	0.89	0.91	0.94	0.96	0.98	1.01	1.03	1.06	1.08	1.10	1.12	1.14	1.16
1,401	~	0.70	0.72	0.75	0.77	0.80	0.82	0.84	0.87	0.89	0.91	0.94	0.96	0.99	1.01	1.03	1.06	1.08	1.10	1.12	1.14	1.16	1.18
1,501	~	0.73	0.75	0.77	0.80	0.82	0.84	0.87	0.89	0.92	0.94	0.96	0.99	1.01	1.03	1.06	1.08	1.10	1.12	1.14	1.16	1.18	1.20
1,601	~	0.75	0.77	0.80	0.82	0.85	0.87	0.89	0.92	0.94	0.96	0.99	1.01	1.04	1.06	1.08	1.10	1.12	1.14	1.16	1.18	1.20	1.22
1,701	~	0.77	0.80	0.82	0.85	0.87	0.89	0.92	0.94	0.97	0.99	1.01	1.04	1.06	1.08	1.11	1.13	1.15	1.17	1.19	1.21	1.23	1.25
1,801	~	0.80	0.82	0.85	0.87	0.89	0.92	0.94	0.97	0.99	1.01	1.04	1.06	1.09	1.11	1.13	1.15	1.17	1.19	1.21	1.23	1.25	1.27
1,901	~	0.83	0.85	0.87	0.90	0.92	0.94	0.97	0.99	1.02	1.04	1.06	1.09	1.11	1.13	1.15	1.17	1.19	1.21	1.23	1.25	1.27	1.29
2,001	~	0.85	0.87	0.90	0.92	0.95	0.97	0.99	1.02	1.04	1.06	1.09	1.11	1.14	1.16	1.18	1.20	1.22	1.24	1.26	1.28	1.30	1.32
2,101	~	0.88	0.90	0.92	0.95	0.97	0.99	1.02	1.04	1.07	1.09	1.11	1.14	1.16	1.18	1.20	1.22	1.24	1.26	1.28	1.30	1.32	1.34
2,201	~	0.90	0.92	0.95	0.97	1.00	1.02	1.04	1.07	1.09	1.11	1.14	1.16	1.19	1.21	1.23	1.25	1.27	1.29	1.31	1.33	1.35	1.37

FIX/SLIDING FLAT SILL 2 LEAVES

SYSTEM DRAWING

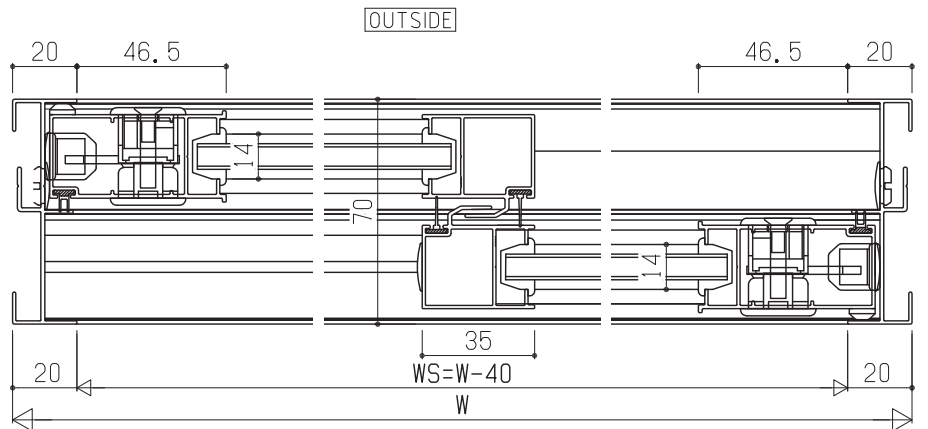
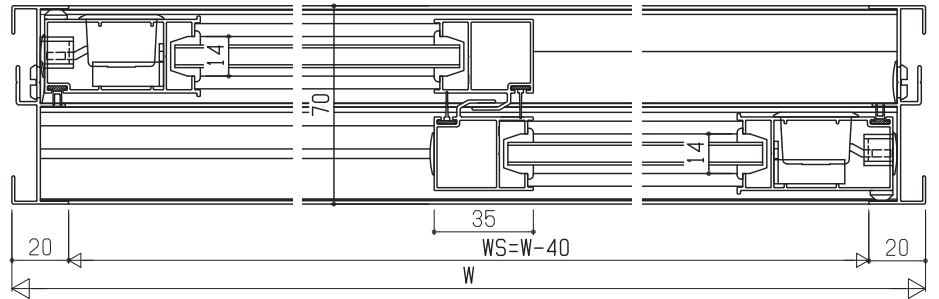
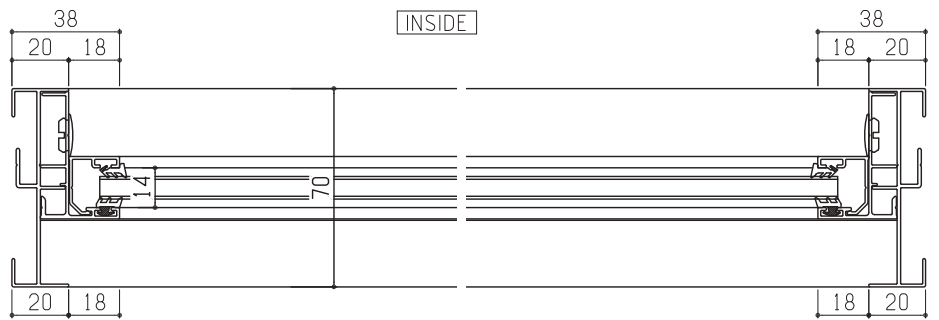
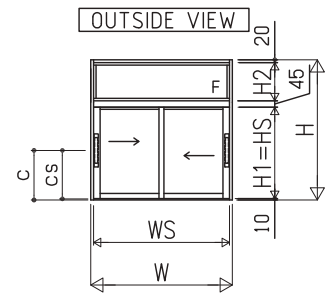
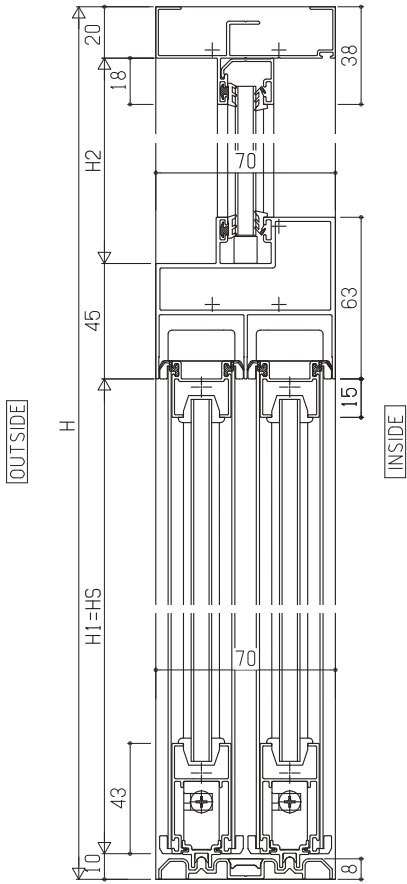
CRESCENT LOCK



FIX/SLIDING FLAT SILL 2 LEAVES

SYSTEM DRAWING

HOOK LOCK



Hook Lock with key

OUTSIDE

SLIDING FLAT SILL 4 LEAVES

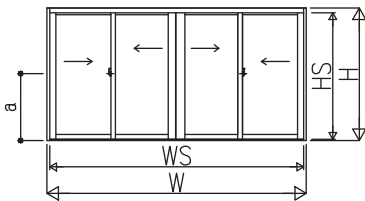


Performance

Structural (Wind Load)	-
Water Tightness	-
Sound Insulation	-

Standard Specifications

OUTSIDE VIEW



Crescent Height : a

- $H/2-12.5$
- 610

Hook Lock / Hook Lock wth key

- Height : c**
- $H/2-12.5$
 - 610

Specifications

Selected parts :

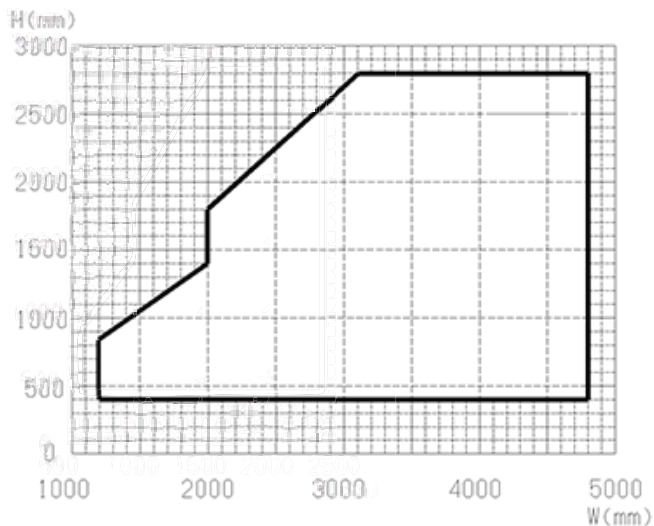
Crescent, Hook Lock, Hook Lock with key

Glass

Glass Size	Qty	Thickness
$(W/4-64) \times (H-89)$	4	5,6,8

- FOR $H > 2500$ USE GLASS ONLY 6mm & 8mm

Size Limitation



SLIDING FLAT SILL 4 LEAVES

PRICE LIST

CRESCENT

Juta Rp

H (mm) \ W (mm)	W (mm)																			
	1.200	1.300	1.400	1.500	1.600	1.700	1.800	1.900	2.000	2.100	2.200	2.300	2.400	2.500	2.600	2.700	2.800	2.900	3.000	
400	1.80	1.84	1.89	1.93	1.97	2.02	2.06	2.10	2.15	2.19	2.23	2.28	2.32	2.36	2.41	2.45	2.49	2.54	2.58	
401 ~ 500	1.91	1.95	1.99	2.04	2.08	2.12	2.17	2.21	2.25	2.30	2.34	2.38	2.42	2.47	2.51	2.55	2.60	2.64	2.68	
501 ~ 600	2.01	2.06	2.10	2.14	2.19	2.23	2.27	2.31	2.36	2.40	2.44	2.49	2.53	2.57	2.62	2.66	2.70	2.75	2.79	
601 ~ 700	2.12	2.16	2.21	2.25	2.29	2.33	2.38	2.42	2.46	2.51	2.55	2.59	2.64	2.68	2.72	2.76	2.81	2.85	2.89	
701 ~ 800	2.23	2.27	2.31	2.35	2.40	2.44	2.48	2.53	2.57	2.61	2.66	2.70	2.74	2.78	2.83	2.87	2.91	2.96	3.00	
801 ~ 900	2.33	2.38	2.42	2.46	2.50	2.55	2.59	2.63	2.68	2.72	2.76	2.81	2.85	2.89	2.93	2.98	3.02	3.06	3.11	
901 ~ 1,000		2.48	2.53	2.57	2.61	2.65	2.70	2.74	2.78	2.83	2.87	2.91	2.96	3.00	3.04	3.08	3.13	3.17	3.21	
1,001 ~ 1,100				2.67	2.72	2.76	2.80	2.85	2.89	2.93	2.98	3.02	3.06	3.10	3.15	3.19	3.23	3.28	3.32	
1,101 ~ 1,200					2.82	2.87	2.91	2.95	3.00	3.04	3.08	3.12	3.17	3.21	3.25	3.30	3.34	3.38	3.43	
1,201 ~ 1,300							3.02	3.06	3.10	3.15	3.19	3.23	3.27	3.32	3.36	3.40	3.45	3.49	3.53	
1,301 ~ 1,400								3.16	3.21	3.25	3.29	3.34	3.38	3.42	3.47	3.51	3.55	3.59	3.64	
1,401 ~ 1,500										3.36	3.40	3.44	3.49	3.53	3.57	3.61	3.66	3.70	3.74	
1,501 ~ 1,600										3.47	3.51	3.55	3.60	3.64	3.68	3.72	3.77	3.81	3.85	
1,601 ~ 1,700										3.57	3.62	3.66	3.70	3.74	3.79	3.83	3.87	3.92	3.96	
1,701 ~ 1,800										3.68	3.72	3.76	3.81	3.85	3.89	3.94	3.98	4.02	4.07	
1,801 ~ 1,900										3.78	3.83	3.87	3.91	3.96	4.00	4.04	4.08	4.13	4.17	
1,901 ~ 2,000										3.89	3.93	3.98	4.02	4.06	4.10	4.15	4.19	4.23	4.28	
2,001 ~ 2,100													4.08	4.13	4.17	4.21	4.25	4.30	4.34	
2,101 ~ 2,200														4.23	4.27	4.32	4.36	4.40	4.45	
2,201 ~ 2,300															4.38	4.42	4.47	4.51	4.55	
2,301 ~ 2,400																4.53	4.57	4.61	4.66	
2,401 ~ 2,500																	4.68	4.72	4.76	
2,501 ~ 2,600																		4.83	4.87	
2,601 ~ 2,700																			4.98	
2,701 ~ 2,800																			5.02	
																			5.13	

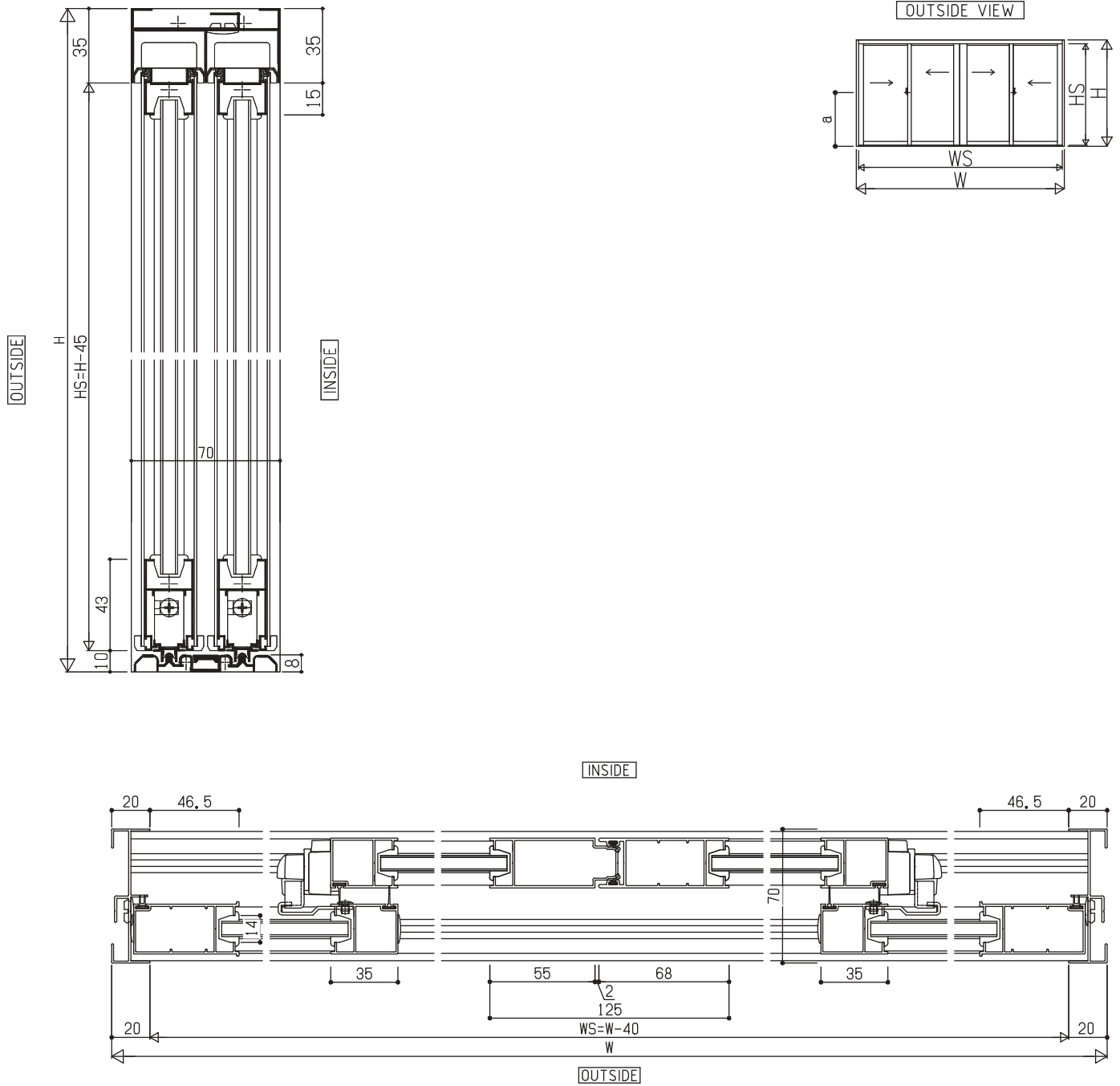
H (mm) \ W (mm)	W (mm)																	
	3,100	3,200	3,300	3,400	3,500	3,600	3,700	3,800	3,900	4,000	4,100	4,200	4,300	4,400	4,500	4,600	4,700	4,800
400	2.62	2.67	2.71	2.75	2.80	2.84	2.88	2.92	2.97	3.01	3.06	3.10	3.14	3.18	3.23	3.27	3.31	3.36
401 ~ 500	2.73	2.77	2.81	2.86	2.90	2.94	2.99	3.03	3.07	3.12	3.16	3.20	3.25	3.29	3.33	3.38	3.42	3.46
501 ~ 600	2.83	2.88	2.92	2.96	3.01	3.05	3.09	3.13	3.18	3.22	3.27	3.31	3.35	3.39	3.44	3.48	3.52	3.57
601 ~ 700	2.94	2.98	3.02	3.07	3.11	3.15	3.20	3.24	3.28	3.33	3.37	3.41	3.46	3.50	3.54	3.59	3.63	3.67
701 ~ 800	3.04	3.09	3.13	3.17	3.22	3.26	3.30	3.34	3.39	3.43	3.48	3.52	3.56	3.60	3.65	3.69	3.73	3.78
801 ~ 900	3.15	3.19	3.24	3.28	3.32	3.36	3.41	3.45	3.49	3.54	3.58	3.62	3.67	3.71	3.75	3.80	3.84	3.88
901 ~ 1,000	3.26	3.30	3.34	3.39	3.43	3.47	3.51	3.56	3.60	3.64	3.69	3.73	3.77	3.82	3.86	3.90	3.95	3.99
1,001 ~ 1,100	3.36	3.41	3.45	3.49	3.53	3.58	3.62	3.66	3.71	3.75	3.79	3.84	3.88	3.92	3.96	4.01	4.05	4.09
1,101 ~ 1,200	3.47	3.51	3.56	3.60	3.64	3.68	3.73	3.77	3.81	3.86	3.90	3.94	3.99	4.03	4.07	4.11	4.16	4.20
1,201 ~ 1,300	3.58	3.62	3.66	3.70	3.75	3.79	3.83	3.88	3.92	3.96	4.01	4.05	4.09	4.13	4.18	4.22	4.26	4.31
1,301 ~ 1,400	3.68	3.72	3.77	3.81	3.85	3.90	3.94	3.98	4.02	4.07	4.11	4.15	4.20	4.24	4.28	4.33	4.37	4.41
1,401 ~ 1,500	3.79	3.83	3.87	3.92	3.96	4.00	4.04	4.09	4.13	4.17	4.22	4.26	4.30	4.35	4.39	4.43	4.47	4.52
1,501 ~ 1,600	3.90	3.94	3.98	4.02	4.07	4.11	4.15	4.20	4.24	4.28	4.33	4.37	4.41	4.46	4.50	4.54	4.58	4.63
1,601 ~ 1,700	4.00	4.05	4.09	4.13	4.17	4.22	4.26	4.30	4.35	4.39	4.43	4.48	4.52	4.56	4.60	4.65	4.69	4.73
1,701 ~ 1,800	4.11	4.15	4.19	4.24	4.28	4.32	4.37	4.41	4.45	4.50	4.54	4.58	4.62	4.67	4.71	4.75	4.80	4.84
1,801 ~ 1,900	4.21	4.26	4.30	4.34	4.39	4.43	4.47	4.51	4.56	4.60	4.64	4.69	4.73	4.77	4.82	4.86	4.90	4.94
1,901 ~ 2,000	4.32	4.36	4.41	4.45	4.49	4.53	4.58	4.62	4.66	4.71	4.75	4.79	4.84	4.88	4.92	4.96	5.01	5.05
2,001 ~ 2,100	4.43	4.47	4.51	4.56	4.60	4.64	4.68	4.73	4.77	4.81	4.86	4.90	4.94	4.99	5.03	5.07	5.11	5.16
2,101 ~ 2,200	4.53	4.58	4.62	4.66	4.70	4.75	4.79	4.83	4.88	4.92	4.96	5.01	5.05	5.09	5.13	5.18	5.22	5.26
2,201 ~ 2,300	4.64	4.68	4.72	4.77	4.81	4.85	4.90	4.94	4.98	5.03	5.07	5.11	5.15	5.20	5.24	5.28	5.33	5.37
2,301 ~ 2,400	4.74	4.79	4.83	4.87	4.92	4.96	5.00	5.04	5.09	5.13	5.17	5.22	5.26	5.30	5.35	5.39	5.43	5.47
2,401 ~ 2,500	4.85	4.89	4.94	4.98	5.02	5.07	5.11	5.15	5.19	5.24	5.28	5.32	5.37	5.41	5.45	5.50	5.54	5.58
2,501 ~ 2,600	4.96	5.00	5.05	5.09	5.13	5.17	5.22	5.26	5.30	5.35	5.39	5.43	5.48	5.52	5.56	5.60	5.65	5.69
2,601 ~ 2,700	5.07	5.11	5.15	5.19	5.24	5.28	5.32	5.37	5.41	5.45	5.50	5.54	5.58	5.62	5.67	5.71	5.75	5.80
2,701 ~ 2,800	5.17	5.21	5.26	5.30	5.34	5.39	5.43	5.47	5.51	5.56	5.60	5.64	5.69	5.73	5.77	5.82	5.86	5.90

- * For the specifications with **Hook Lock**, 0.31 juta/set will be added to the price above
- * For the specifications with **Hook Lock with key**, 0.76 juta/set will be added to the price above
- * This price is not included glass, assembling fee, delivery fee and installation fee.

SLIDING FLAT SILL 4 LEAVES

SYSTEM DRAWING

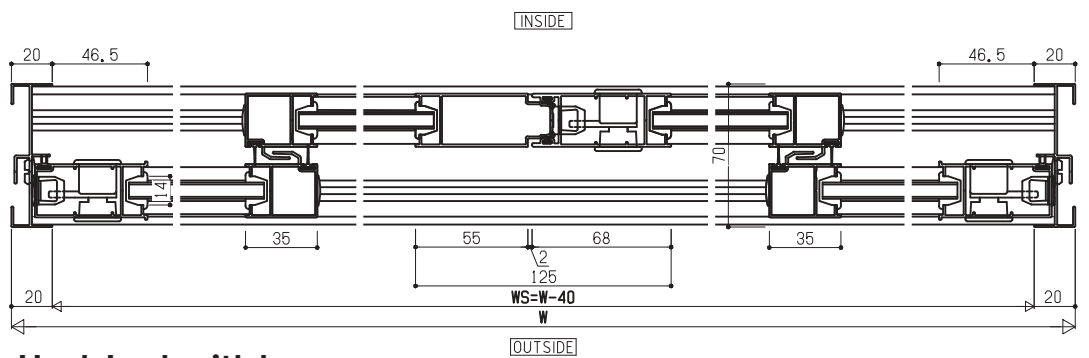
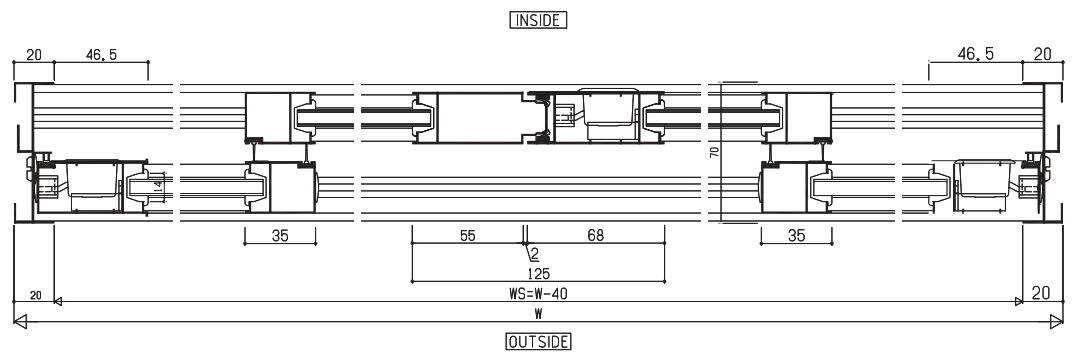
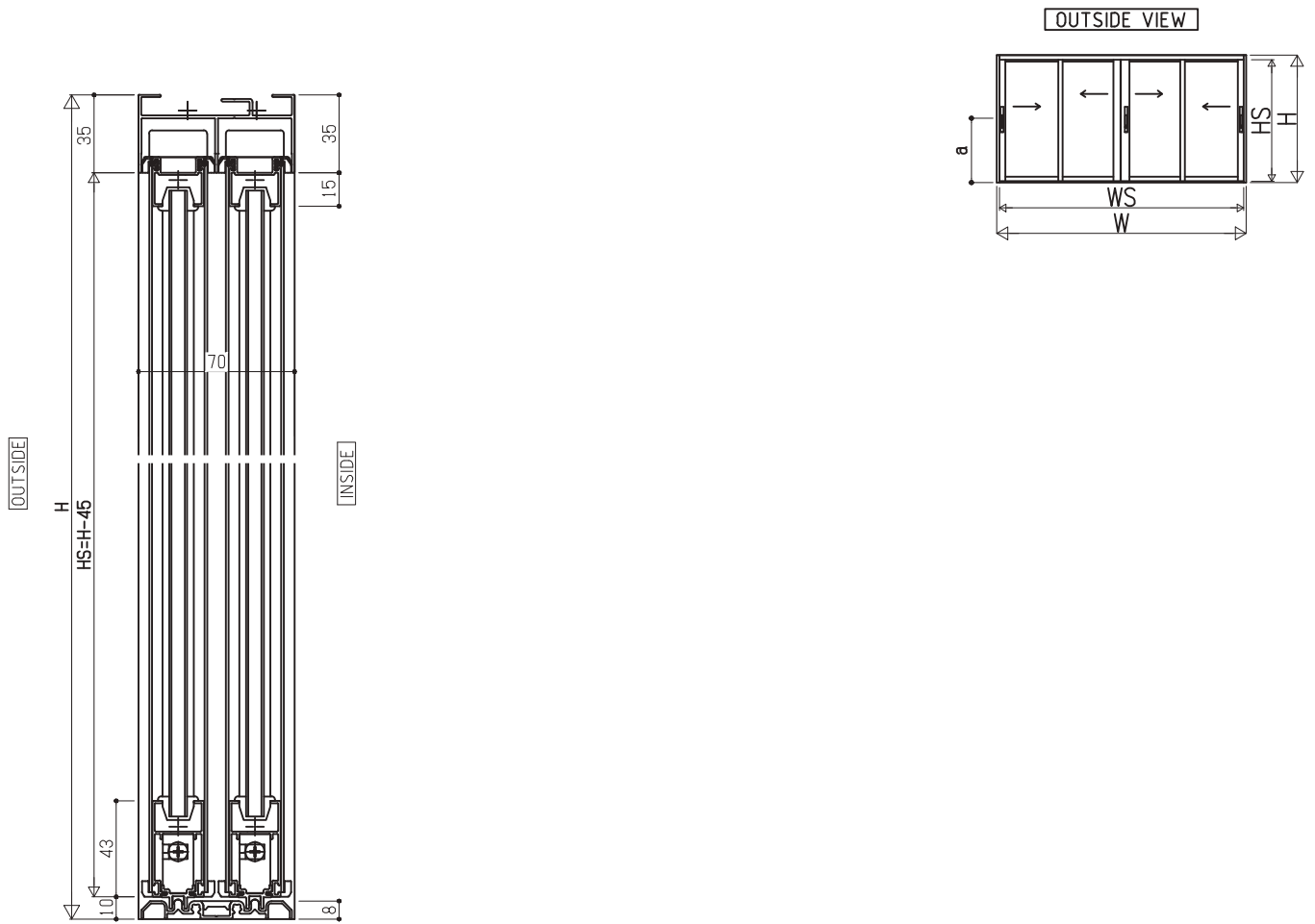
CRESCENT LOCK



SLIDING FLAT SILL 4 LEAVES

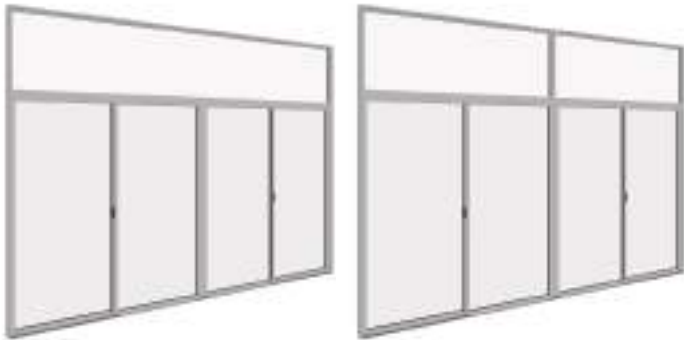
SYSTEM DRAWING

HOOK LOCK



Hook Lock with key

FIX/SLIDING FLAT SILL 4 LEAVES

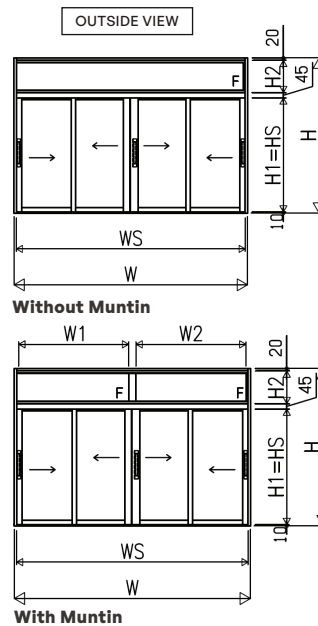


W>2400 FIX will divided by Muntin

Performance

Structural (Wind Load)	-
Water Tightness	-
Sound Insulation	-

Standard Specification



- Crescent Height : as**
- H1/2
 - 600
 - Custom
- Hook Lock Height : c**
- H1/2
 - 600
 - Custom

Glass

Without Muntin

	Glass Size	Qty	Thickness
SL	(W/4-64)×(H1-44)	4	5,6,8
FIX	(W-62)×(H2-22)	1	5,6,8

With Muntin

	Glass Size	Qty	Thickness
SL	(W/4-64)×(H1-44)	4	5,6,8
FIX	(W/2-54,5)×(H2-22)	2	5,6,8

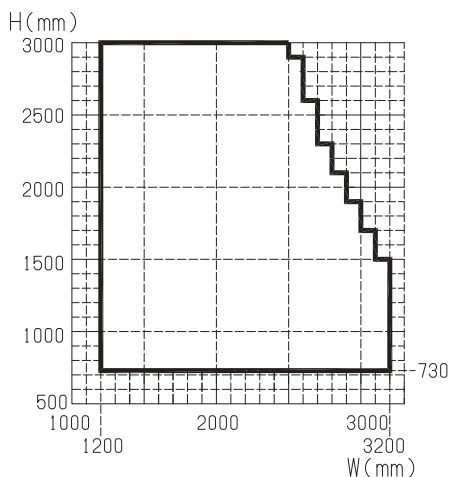
Specifications

Selected parts :

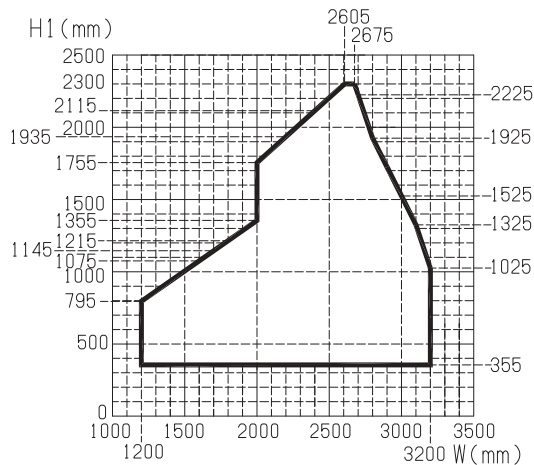
Crescent, Hook Lock, Hook Lock with key

Size Limitation

WH size



H1 size

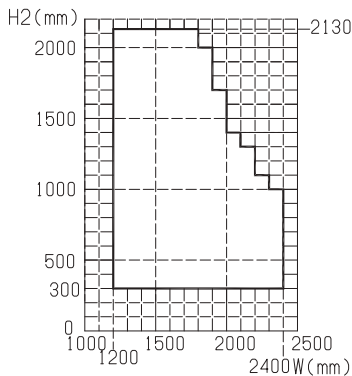


FIX/SLIDING FLAT SILL 4 LEAVES

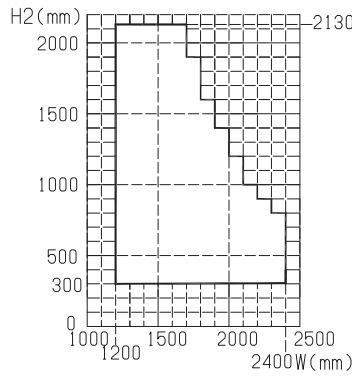
SIZE LIMITATION & PRICE LIST

Size Limitation

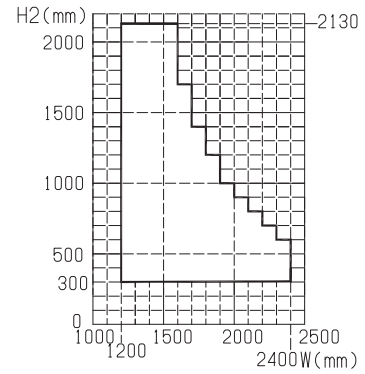
H2 size



Glass thickness 5 mm



Glass thickness 6 mm



Glass thickness 8 mm

Size Limitation

1 See the price list below for the upper FIX

2 See page **44** for the lower Sliding window

Price : +

* The price list below is for 1 unit of FIX.

When W>2400, 1 unit will be divided to 2 units by muntin, and the price count double.

FIX (Transom Price Included)

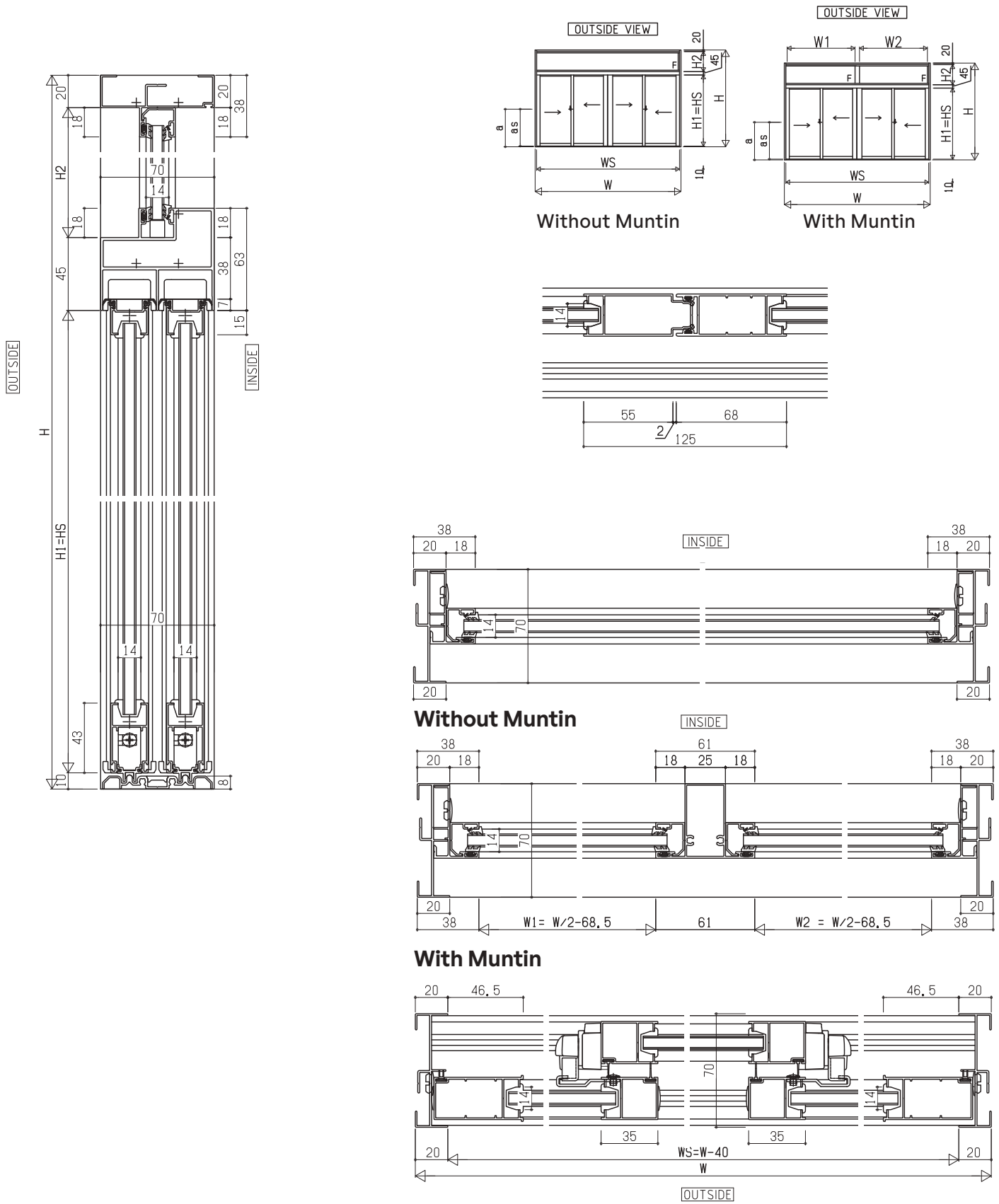
Juta Rp

W (mm) \ H (mm)		W (mm)													
		1,200	1,201-1,300	1,301-1,400	1,401-1,500	1,501-1,600	1,601-1,700	1,701-1,800	1,801-1,900	1,901-2,000	2,001-2,100	2,101-2,200	2,201-2,300	2,301-2,400	
300	~	0.86	0.88	0.90	0.93	0.95	0.98	1.00	1.02	1.04	1.07	0.98	1.01	1.03	
301	~	400	0.88	0.90	0.93	0.95	0.98	1.00	1.02	1.05	1.07	1.09	1.01	1.03	1.06
401	~	500	0.91	0.93	0.95	0.98	1.00	1.03	1.05	1.07	1.09	1.12	1.03	1.06	1.08
501	~	600	0.93	0.95	0.98	1.00	1.03	1.05	1.07	1.10	1.12	1.14	1.06	1.08	1.11
601	~	700	0.96	0.98	1.00	1.03	1.05	1.08	1.10	1.12	1.14	1.17	1.08	1.10	1.13
701	~	800	0.98	1.00	1.03	1.05	1.08	1.10	1.12	1.15	1.17	1.19	1.11	1.13	1.15
801	~	900	1.01	1.03	1.05	1.08	1.10	1.13	1.15	1.17	1.19	1.22	1.13	1.16	1.18
901	~	1,000	1.03	1.05	1.08	1.10	1.13	1.15	1.17	1.20	1.22	1.24	1.16	1.18	1.21
1,001	~	1,100	1.06	1.08	1.10	1.13	1.15	1.18	1.20	1.22	1.24	1.27	1.18	1.21	
1,101	~	1,200	1.08	1.10	1.13	1.15	1.18	1.20	1.22	1.25	1.27	1.29	1.21		
1,201	~	1,300	1.11	1.13	1.15	1.18	1.20	1.23	1.25	1.27	1.29	1.32	1.23		
1,301	~	1,400	1.13	1.16	1.18	1.20	1.23	1.25	1.28	1.30	1.32	1.34			
1,401	~	1,500	1.16	1.18	1.20	1.23	1.25	1.28	1.30	1.32	1.34				
1,501	~	1,600	1.18	1.20	1.23	1.25	1.28	1.30	1.32	1.35	1.37				
1,601	~	1,700	1.21	1.23	1.25	1.28	1.30	1.33	1.35	1.37	1.39				
1,701	~	1,800	1.23	1.25	1.28	1.30	1.33	1.35	1.37	1.40					
1,801	~	1,900	1.26	1.28	1.30	1.33	1.35	1.38	1.40	1.42					
1,901	~	2,000	1.28	1.31	1.33	1.35	1.38	1.40	1.43	1.45					
2,001	~	2,100	1.31	1.33	1.35	1.38	1.40	1.43	1.45						
2,101	~	2,200	1.33	1.35	1.38	1.40	1.43	1.45	1.47						

FIX/SLIDING FLAT SILL 4 LEAVES

SYSTEM DRAWING

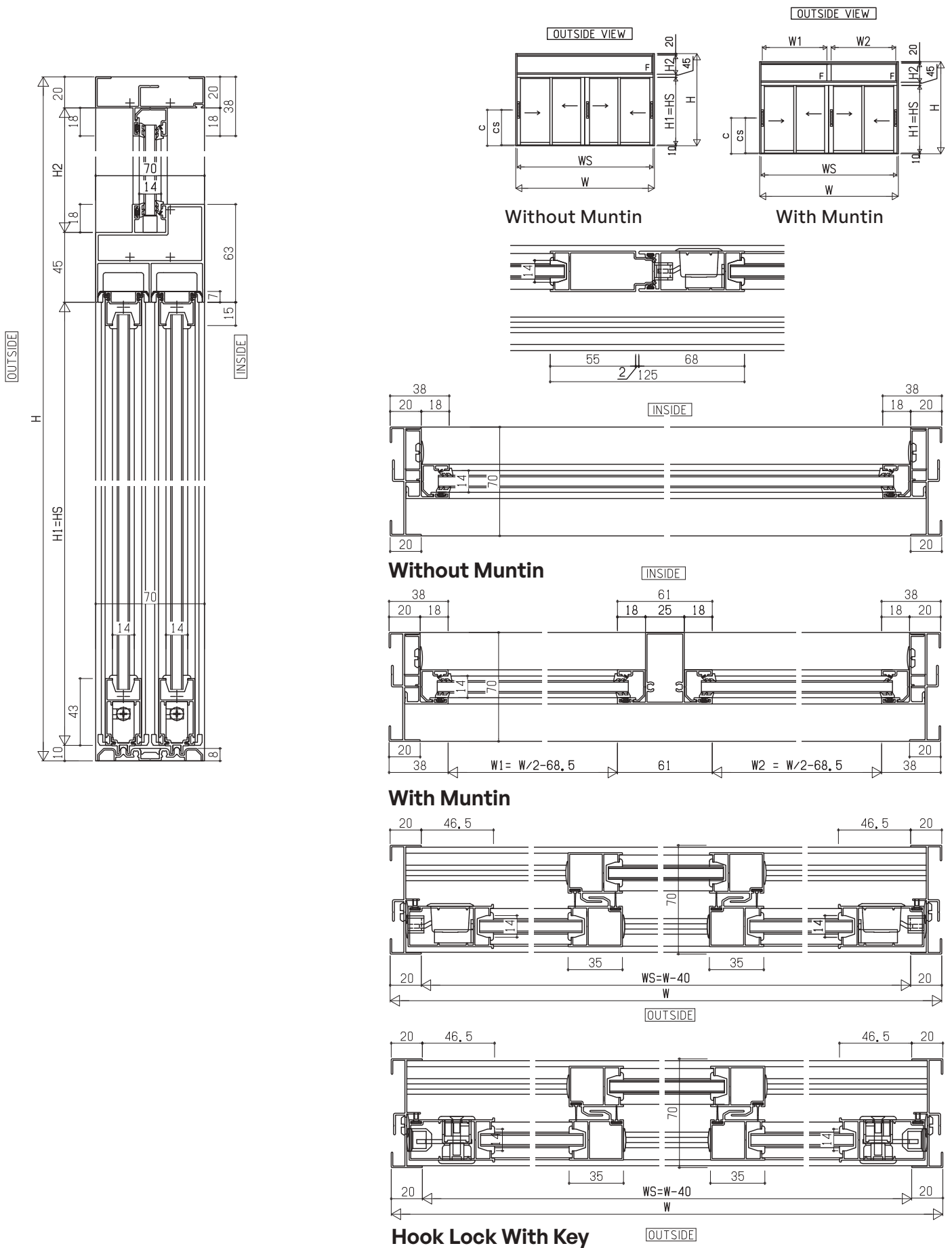
CRESCENT LOCK



FIX/SLIDING FLAT SILL 4 LEAVES

SYSTEM DRAWING

HOOK LOCK





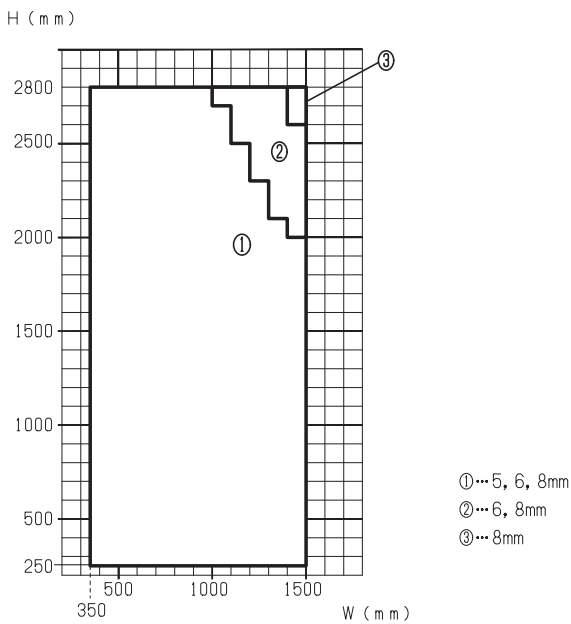
Performance

Structural (Wind Load)	1,200 Pa
Water Tightness	200 Pa
Sound Insulation	-25 dB

Glass

Glass Size	Qty	Thickness
(W-62)×(H-62)	1	5,6,8

Size Limitation



FIX

PRICE LIST

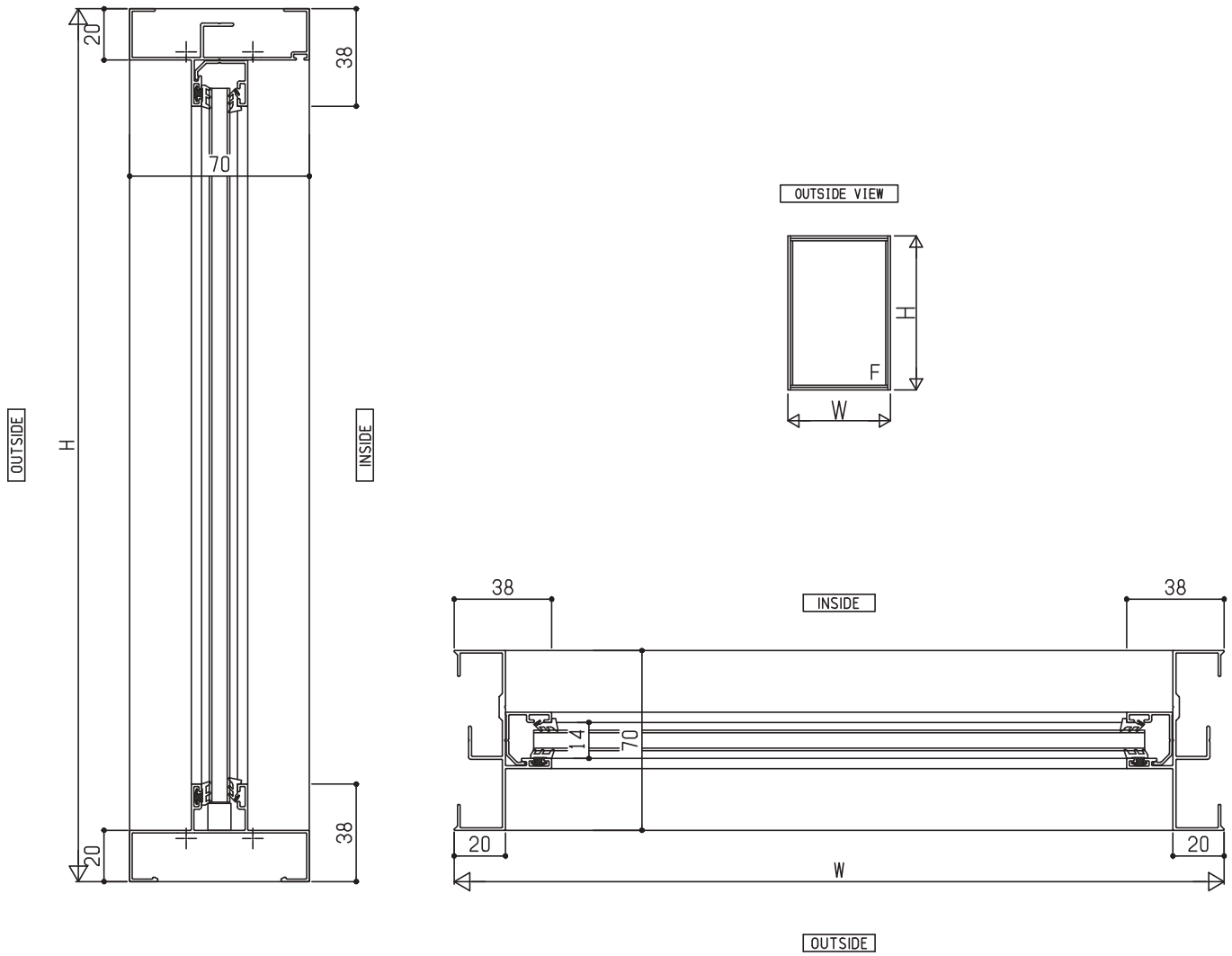
Juta Rp

W (mm) H (mm)	350- 400	401- 500	501- 600	601- 700	701- 800	801- 900	901- 1,000	1001- 1,100	1101- 1,200	1201- 1,300	1301- 1,400	1401- 1,500
300	0.26	0.28	0.30	0.33	0.35	0.37	0.39	0.42	0.44	0.46	0.49	0.51
301 ~ 400	0.28	0.30	0.33	0.35	0.37	0.40	0.42	0.44	0.47	0.49	0.51	0.53
401 ~ 500	0.31	0.33	0.35	0.37	0.40	0.42	0.44	0.47	0.49	0.51	0.54	0.56
501 ~ 600	0.33	0.35	0.38	0.40	0.42	0.45	0.47	0.49	0.51	0.54	0.56	0.58
601 ~ 700	0.36	0.38	0.40	0.42	0.45	0.47	0.49	0.52	0.54	0.56	0.59	0.61
701 ~ 800	0.38	0.40	0.43	0.45	0.47	0.50	0.52	0.54	0.56	0.59	0.61	0.63
801 ~ 900	0.41	0.43	0.45	0.48	0.50	0.52	0.54	0.57	0.59	0.61	0.64	0.66
901 ~ 1,000	0.43	0.45	0.48	0.50	0.52	0.55	0.57	0.59	0.62	0.64	0.66	0.68
1,001 ~ 1,100	0.46	0.48	0.50	0.52	0.55	0.57	0.59	0.62	0.64	0.66	0.69	0.71
1,101 ~ 1,200	0.48	0.50	0.53	0.55	0.57	0.60	0.62	0.64	0.66	0.69	0.71	0.73
1,201 ~ 1,300	0.51	0.53	0.55	0.57	0.60	0.62	0.64	0.67	0.69	0.71	0.74	0.76
1,301 ~ 1,400	0.53	0.55	0.58	0.60	0.62	0.65	0.67	0.69	0.72	0.74	0.76	0.78
1,401 ~ 1,500	0.56	0.58	0.60	0.63	0.65	0.67	0.69	0.72	0.74	0.76	0.79	0.81
1,501 ~ 1,600	0.58	0.60	0.63	0.65	0.67	0.70	0.72	0.74	0.77	0.79	0.81	0.83
1,601 ~ 1,700	0.61	0.63	0.65	0.67	0.70	0.72	0.74	0.77	0.79	0.81	0.84	0.86
1,701 ~ 1,800	0.63	0.65	0.68	0.70	0.72	0.75	0.77	0.79	0.81	0.84	0.86	0.88
1,801 ~ 1,900	0.66	0.68	0.70	0.73	0.75	0.77	0.79	0.82	0.84	0.86	0.89	0.91
1,901 ~ 2,000	0.68	0.70	0.73	0.75	0.77	0.80	0.82	0.84	0.87	0.89	0.91	0.93
2,001 ~ 2,100	0.71	0.73	0.75	0.78	0.80	0.82	0.84	0.87	0.89	0.91	0.94	0.96
2,101 ~ 2,200	0.73	0.75	0.78	0.80	0.82	0.85	0.87	0.89	0.92	0.94	0.96	0.98
2,201 ~ 2,300	0.76	0.78	0.80	0.82	0.85	0.87	0.89	0.92	0.94	0.96	0.99	1.01
2,301 ~ 2,400	0.78	0.80	0.83	0.85	0.87	0.90	0.92	0.94	0.97	0.99	1.01	1.03
2,401 ~ 2,500	0.81	0.83	0.85	0.88	0.90	0.92	0.94	0.97	0.99	1.01	1.04	1.06
2,501 ~ 2,600	0.83	0.85	0.88	0.90	0.92	0.95	0.97	0.99	1.02	1.04	1.06	1.08
2,601 ~ 2,700	0.86	0.88	0.90	0.93	0.95	0.97	0.99	1.02	1.04	1.06	1.09	1.11
2,701 ~ 2,800	0.88	0.90	0.93	0.95	0.97	1.00	1.02	1.04	1.07	1.09	1.11	1.13

*This price is not included glass, assembling fee, delivery fee and installation fee.

FIX

SYSTEM DRAWING



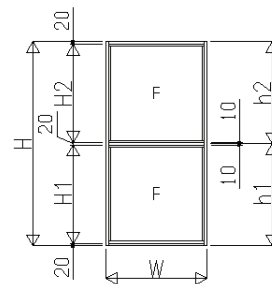


Performance

Structural (Wind Load)	1,200 Pa
Water Tightness	200 Pa
Sound Insulation	-25 dB

Standard Specification

OUTSIDE VIEW

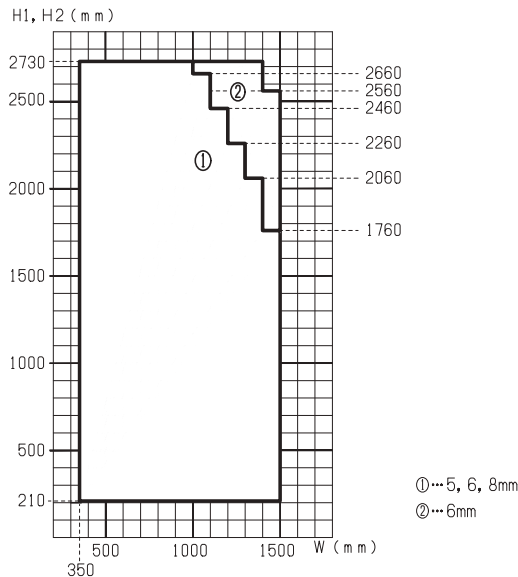
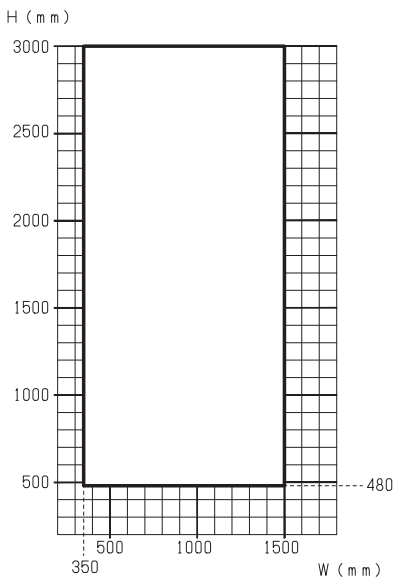


h1, h2 :
System Order
Dimensions

Glass

	Glass Size	Qty	Thickness
Upper	(W-62)×(H2-22)	1	5,6,8
Lower	(W-62)×(H1-22)	1	5,6,8

Size Limitation



*Size limitation for continuous windows : please see page 83 (Mullion, T-Mullion information)

FIX/FIX

PRICE LIST

1 See page **52** for the upper FIX

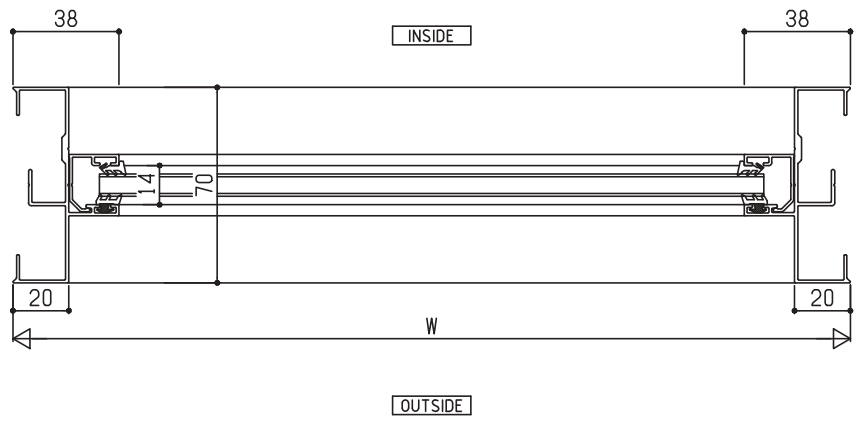
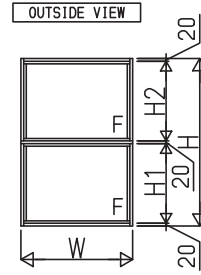
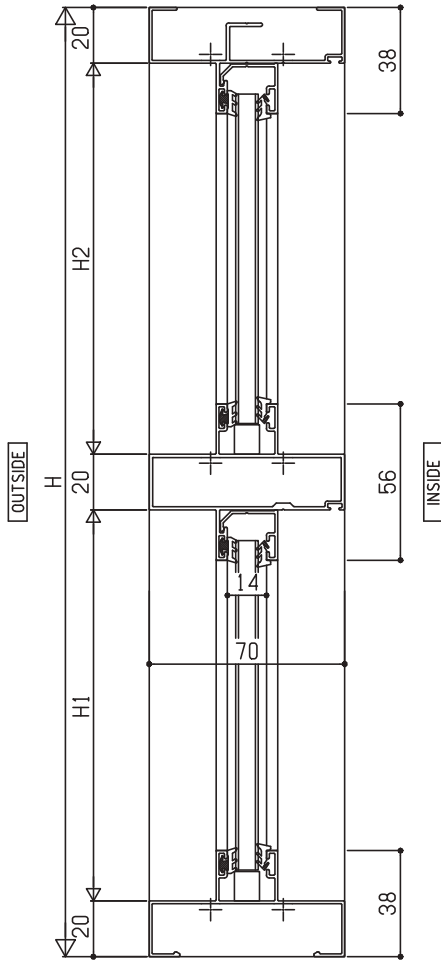
2 See page **52** for the lower FIX

Price : 1 + 2 - TRANSOM

*Please check the price on the MADELA online system.

FIX/FIX

SYSTEM DRAWING



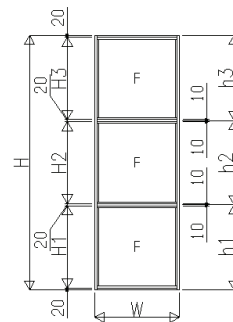


Performance

Structural (Wind Load)	1,200 Pa
Water Tightness	200 Pa
Sound Insulation	-25 dB

Standard Specification

OUTSIDE VIEW

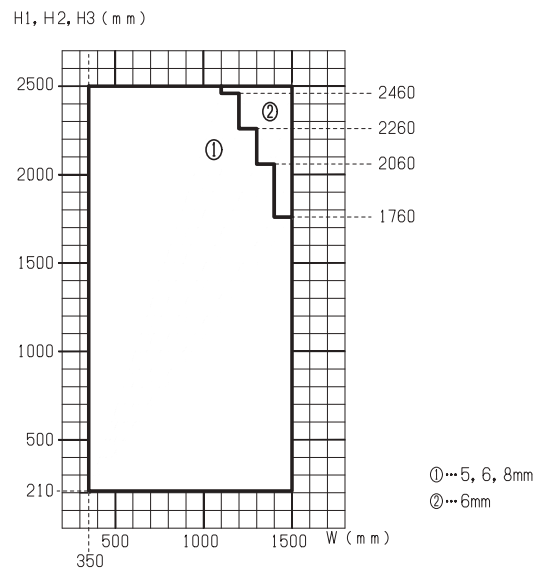
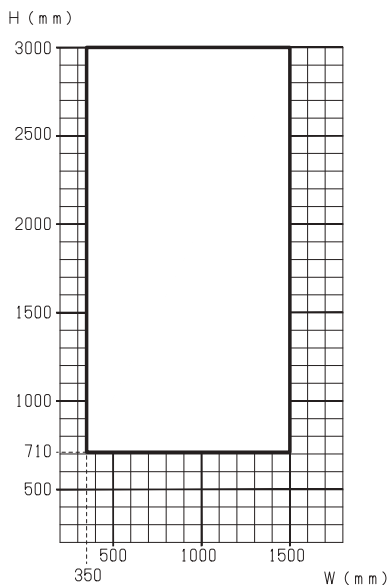


h1, h2, h3 :
System Order
Dimensions

Glass

	Glass Size	Qty	Thickness
Upper	(W-62)×(H3-22)	1	5,6,8
Middle	(W-62)×(H2-22)	1	5,6,8
Lower	(W-62)×(H1-22)	1	5,6,8

Size Limitation



*Size limitation for continuous windows : please see page 83 (Mullion, T-Mullion information)

FIX/FIX/FIX

PRICE LIST

1 See page **52** for the upper FIX

2 See page **52** for the middle FIX

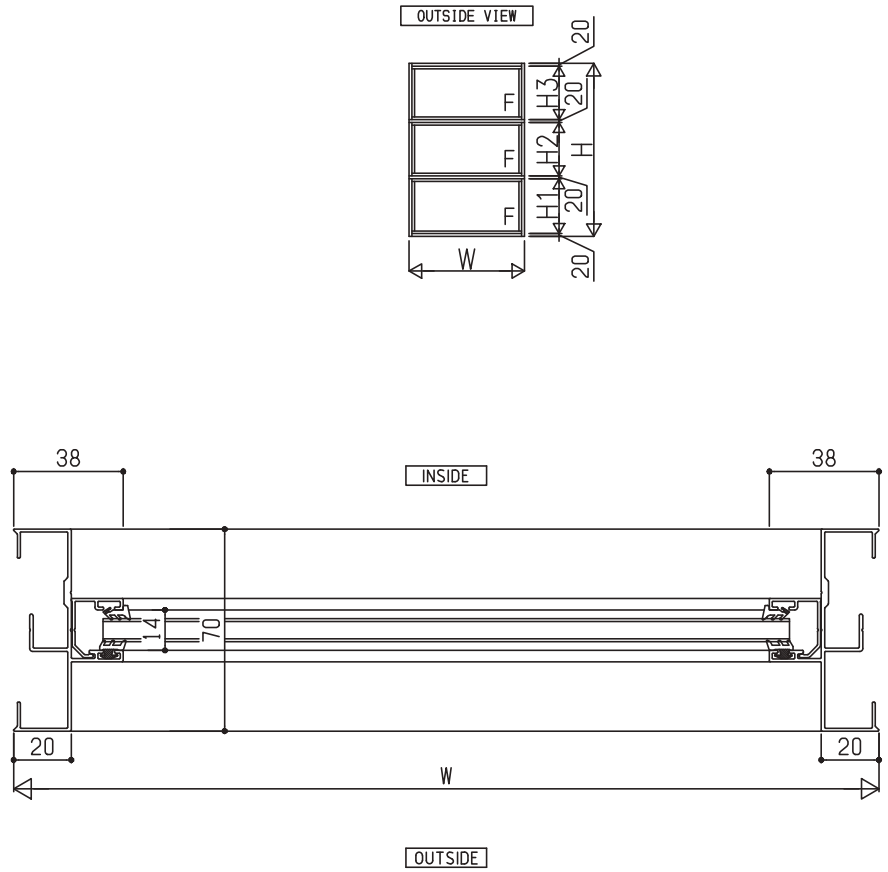
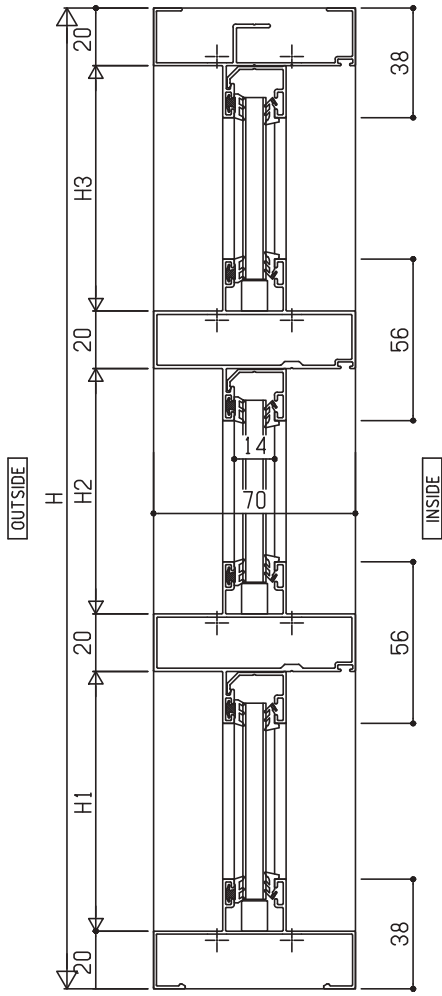
3 See page **52** for the lower FIX

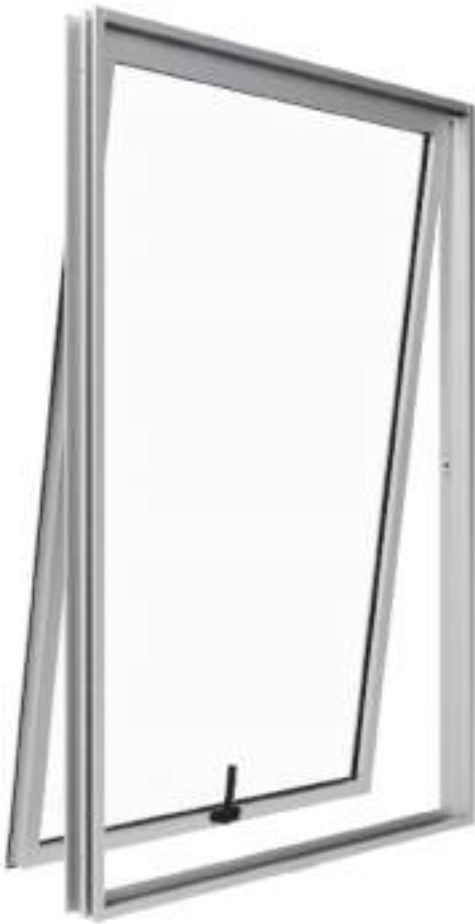
Price : 1 + 2 + 3 - TRANSOM

*Please check the price on the MADELA online system.

FIX/FIX/FIX

SYSTEM DRAWING





Performance

Structural (Wind Load)	1,200 Pa
Water Tightness	200 Pa
Sound Insulation	-25 dB

Specifications

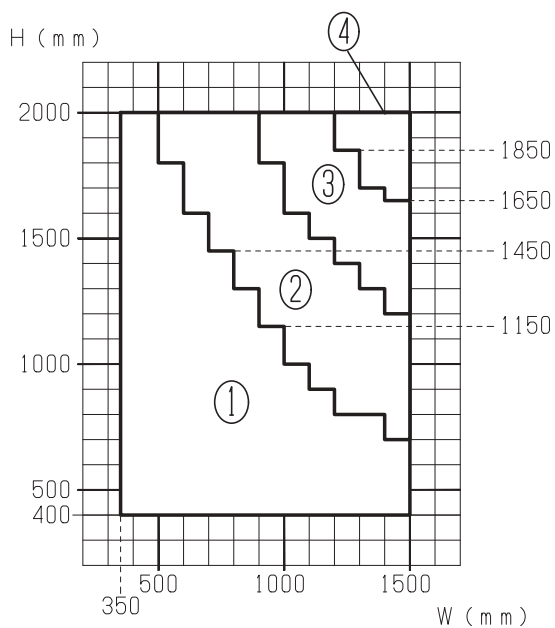
Selected parts :

Camlatch, Multipoint Lock

Glass

Glass Size	Qty	Thickness
(W-118)×(H-120)	1	5,6,8

Size Limitation



- ①...5, 6, 8mm (CAMLATCH)
- ②...5, 6, 8mm (MULTI POINT)
- ③...5.6mm (MULTI POINT)
- ④...5mm (MULTI POINT)

TOP HUNG

PRICE LIST

Juta Rp

H (mm) \ W (mm)	350-	401-	501-	601-	701-	801-	901-	1001-	1101-	1201-	1301-	1401-
	400	500	600	700	800	900	1,000	1,100	1,200	1,300	1,400	1,500
400	0.83	0.87	0.90	0.94	0.98	1.02	1.06	1.09	1.12	1.16	1.20	1.24
401 ~ 500	0.87	0.90	0.94	0.98	1.02	1.06	1.10	1.12	1.16	1.20	1.24	1.27
501 ~ 600	0.91	0.94	0.98	1.02	1.06	1.10	1.13	1.16	1.20	1.24	1.28	1.31
601 ~ 700	0.96	1.00	1.04	1.08	1.12	1.15	1.19	1.22	1.26	1.29	1.33	1.37
701 ~ 800	1.00	1.04	1.08	1.12	1.16	1.19	1.23	1.26	1.29	1.33	1.37	1.44
801 ~ 900	1.04	1.08	1.12	1.16	1.20	1.23	1.27	1.29	1.33	1.41	1.44	1.48
901 ~ 1,000	1.17	1.20	1.24	1.28	1.32	1.36	1.40	1.42	1.49	1.53	1.57	1.60
1,001 ~ 1,100	1.21	1.24	1.28	1.32	1.36	1.40	1.44	1.49	1.53	1.57	1.61	1.64
1,101 ~ 1,150	1.21	1.25	1.29	1.33	1.37	1.40	1.50	1.50	1.54	1.57	1.61	1.65
1,151 ~ 1,200	1.23	1.27	1.31	1.35	1.39	1.42	1.52	1.52	1.56	1.59	1.63	1.67
1,201 ~ 1,300	1.27	1.31	1.35	1.39	1.43	1.52	1.56	1.56	1.60	1.63	1.67	1.71
1,301 ~ 1,400	1.31	1.35	1.39	1.43	1.47	1.56	1.60	1.60	1.63	1.67	1.71	1.74
1,401 ~ 1,450	1.33	1.37	1.41	1.45	1.53	1.58	1.62	1.62	1.65	1.69	1.73	1.76
1,451 ~ 1,500	1.35	1.39	1.43	1.47	1.55	1.60	1.64	1.64	1.67	1.71	1.75	1.78
1,501 ~ 1,600	1.39	1.43	1.47	1.51	1.59	1.64	1.68	1.67	1.71	1.75	1.78	1.82
1,601 ~ 1,700	1.42	1.45	1.49	1.55	1.59	1.64	1.68	1.71	1.75	1.79	1.82	1.86
1,701 ~ 1,800	1.46	1.49	1.53	1.59	1.63	1.68	1.71	1.75	1.79	1.82	1.86	1.90
1,801 ~ 1,900	1.49	1.53	1.60	1.63	1.67	1.71	1.75	1.79	1.83	1.86	1.90	1.94
1,901 ~ 2,000	1.53	1.57	1.63	1.67	1.71	1.75	1.79	1.83	1.86	1.90	1.94	1.97

 Handle Camlatch type

 Handle Multi Point type

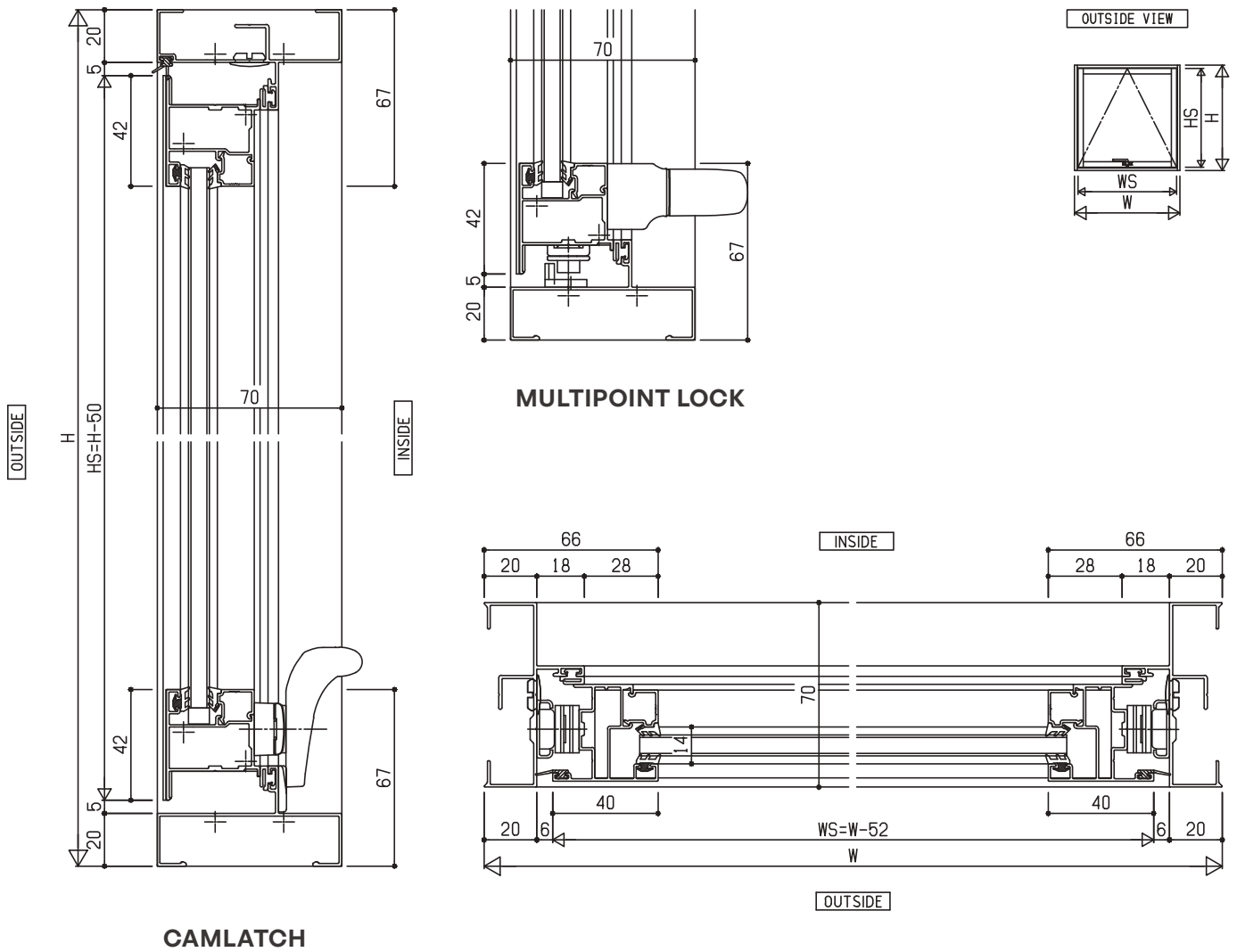
*This price is not included glass, assembling fee, delivery fee and installation fee.

* In case of adding Stopper base on size limitation;

- Arm stopper please add^o IDR 165.150,- to the price list above.
- Alm Plate 33 mm please add^o IDR 12.990,- to the price list above.
- Alm Plate 47 mm please add^o IDR 16.720,- to the price list above.

TOP HUNG

SYSTEM DRAWING



* The handle type is automatically selected according to the size range.
Please check the size limitation graph.



Performance

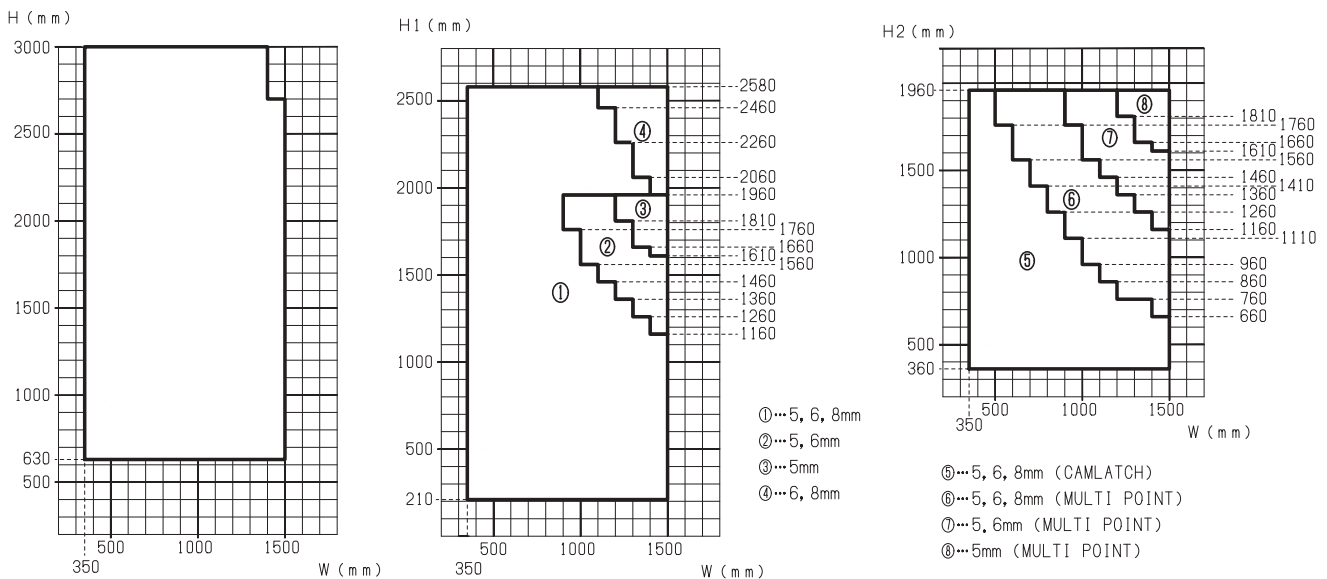
Structural (Wind Load)	1,200 Pa
Water Tightness	200 Pa
Sound Insulation	-25 dB

Standard Specification



h1, h2 :
System Order
Dimensions

Size Limitation



*Size limitation for continuous windows : please see page 83 (Mullion, T-Mullion information)

TOP HUNG/FIX

PRICE LIST

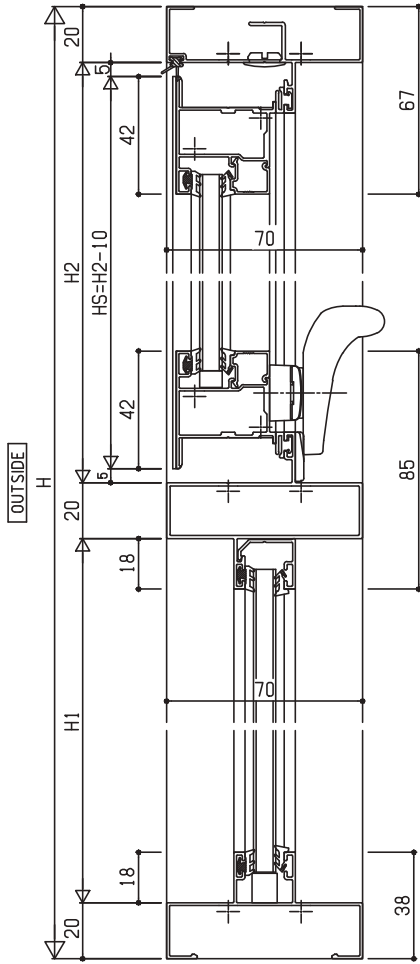
1 See page **64** for the upper Top Hung

2 See page **52** for the lower FIX

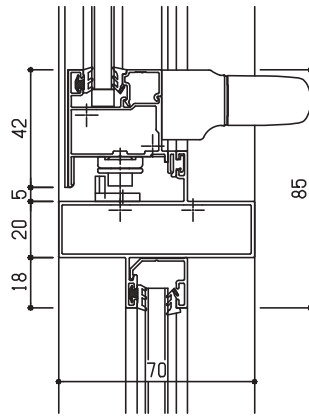
Price : 1 + 2 - TRANSOM

*Please check the price on the MADELA online system.

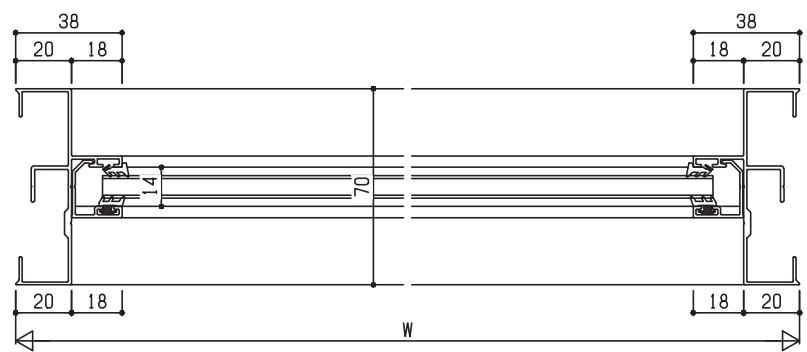
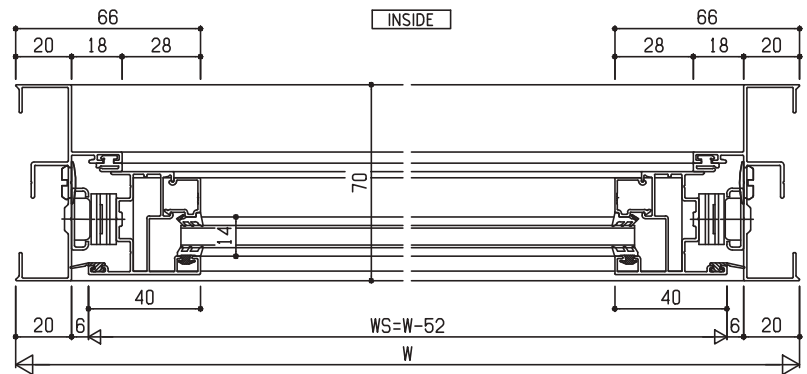
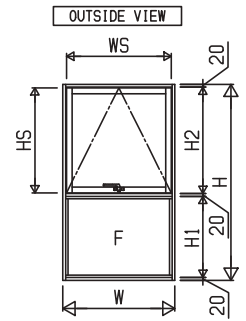
TOP HUNG/FIX SYSTEM DRAWING



CAMLATCH



MULTIPOINT LOCK



OUTSIDE

* The handle type is automatically selected according to the size range.
Please check the size limitation graph.

FIX/TOP HUNG

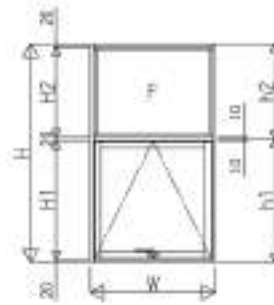


Performance

Structural (Wind Load)	1200 Pa
Water Tightness	200 Pa
Sound Insulation	-25 dB

Standard Specification

OUTSIDE VIEW

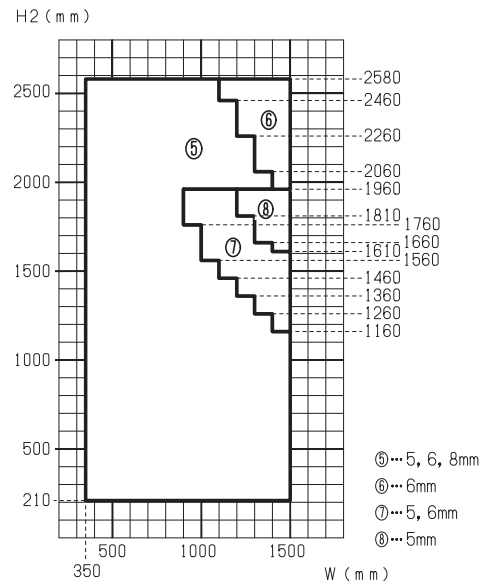
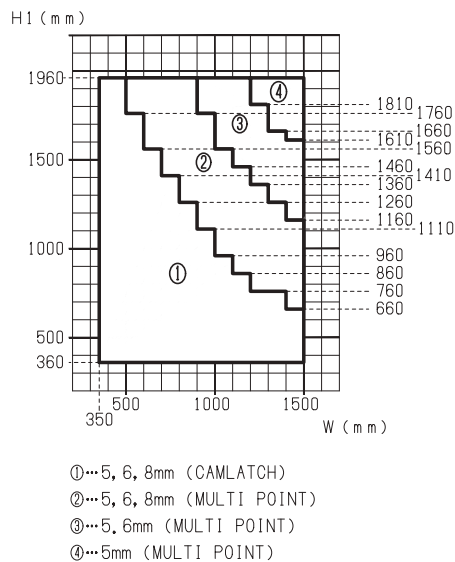
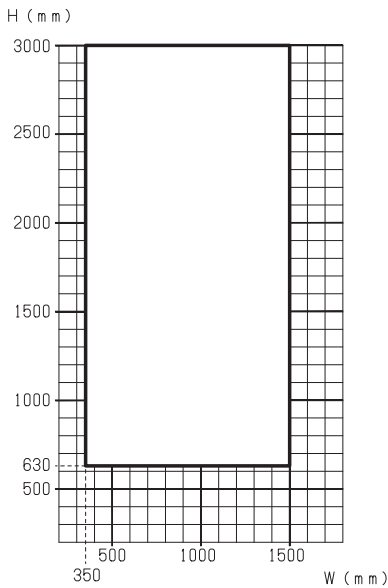


h1, h2 :
System Order
Dimensions

Glass

	Glass Size	Qty	Thickness
FIX	(W-62)×(H2-22)	1	5,6,8
TH	(W-118)×(H1-80)	1	5,6,8

Size Limitation



*Size limitation for continuous windows : please see page 83 (Mullion, T-Mullion information)

FIX/TOP HUNG

PRICE LIST

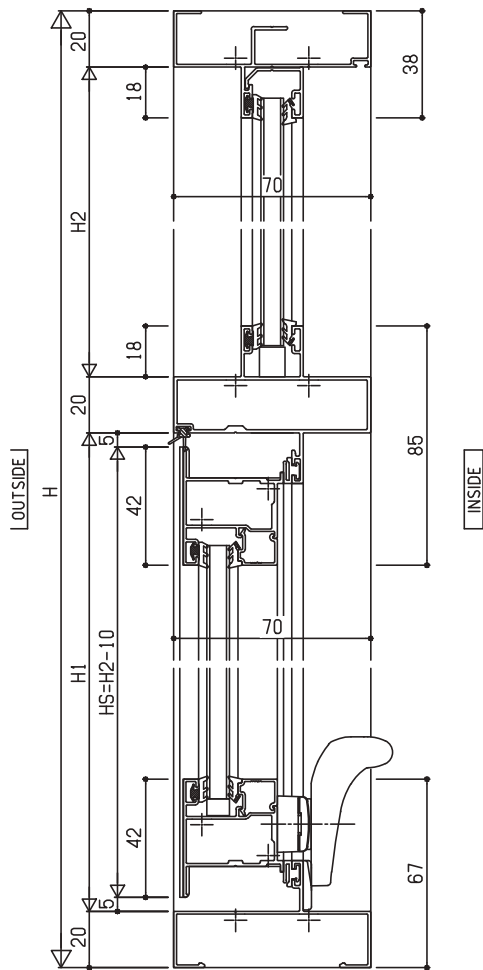
1 See page **52** for the upper FIX

2 See page **64** for the lower Top Hung

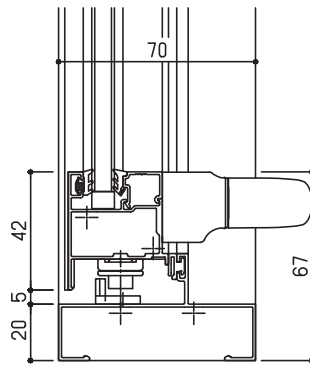
Price : 1 + 2 - TRANSOM

*Please check the price on the MADELA online system.

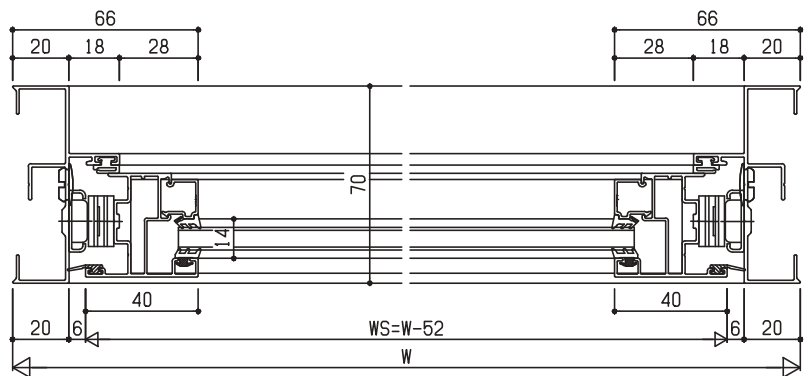
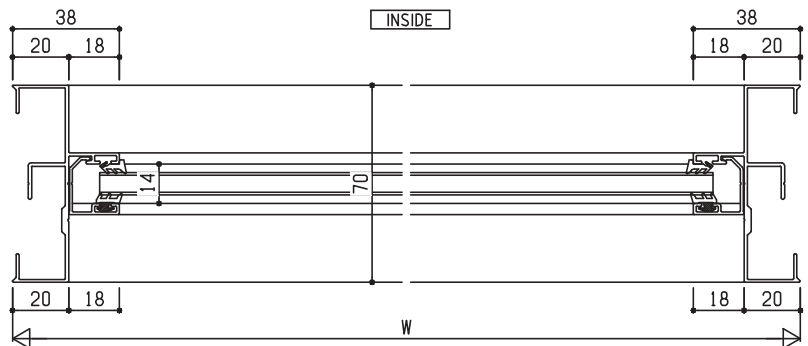
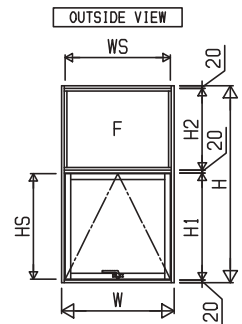
FIX/TOP HUNG SYSTEM DRAWING



CAMLATCH



MULTIPOINT LOCK



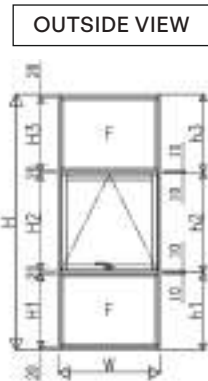
* The handle type is automatically selected according to the size range.
Please check the size limitation graph.



Performance

Structural (Wind Load)	1,200 Pa
Water Tightness	200 Pa
Sound Insulation	-25 dB

Standard Specification

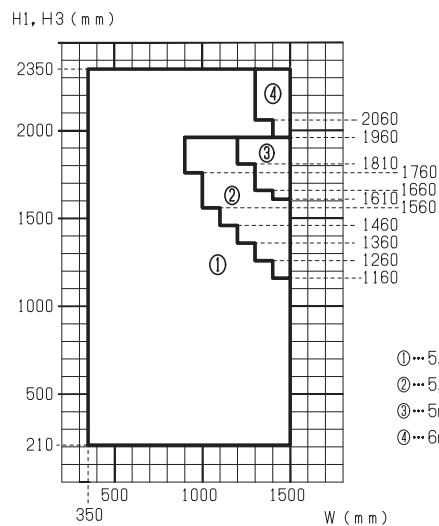
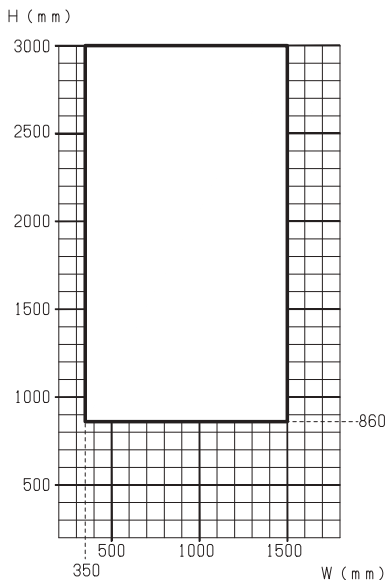


h1, h2, h3 :
System Order
Dimensions

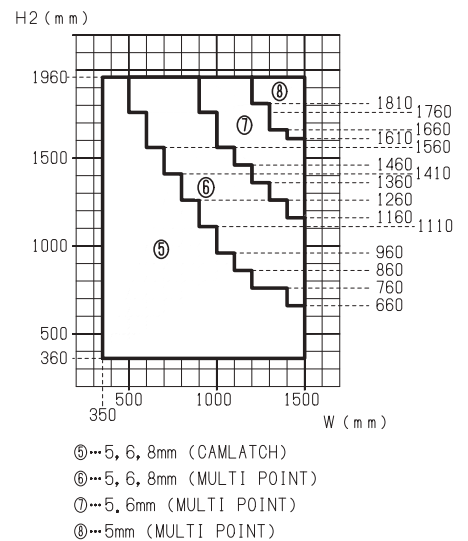
Glass

	Glass Size	Qty	Thickness
FIX	(W-62) × (H3-22)	1	5,6,8
TH	(W-118) × (H2-80)	1	5,6,8
FIX	(W-62) × (H1-22)	1	5,6,8

Size Limitation



- ①...5, 6, 8mm
- ②...5, 6mm
- ③...5mm
- ④...6mm



- ⑤...5, 6, 8mm (CAMLATCH)
- ⑥...5, 6, 8mm (MULTI POINT)
- ⑦...5, 6mm (MULTI POINT)
- ⑧...5mm (MULTI POINT)

*Size limitation for continuous windows : please see page 83 (Mullion, T-Mullion information)

FIX/TOP HUNG/FIX

PRICE LIST

1 See page **52** for the upper FIX

2 See page **64** for the middle Top Hung

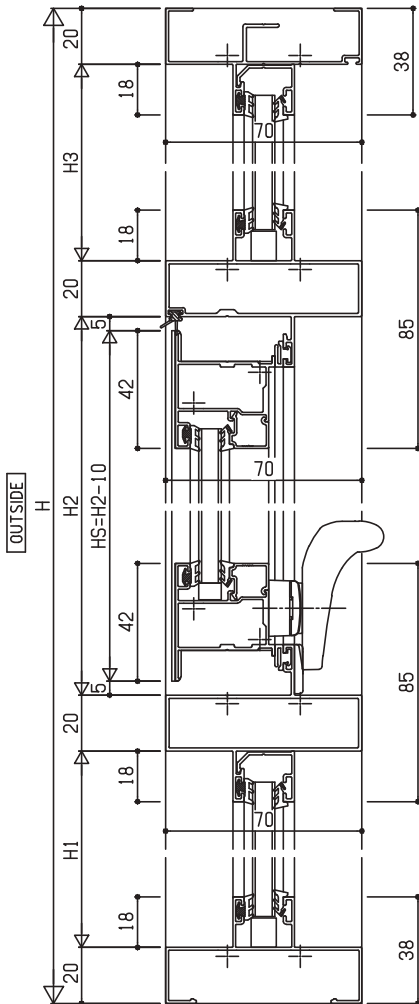
3 See page **52** for the lower FIX

Price : 1 + 2 + 3 - TRANSOM

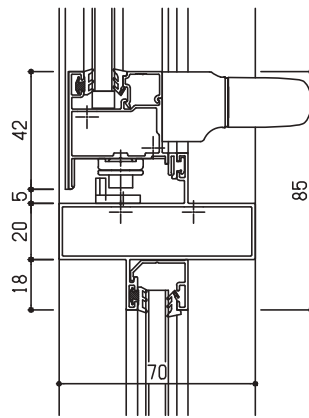
*Please check the price on the MADELA online system.

FIX/TOP HUNG/FIX

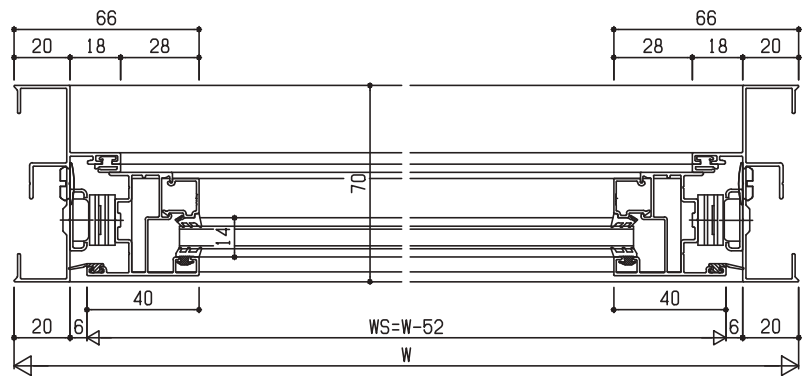
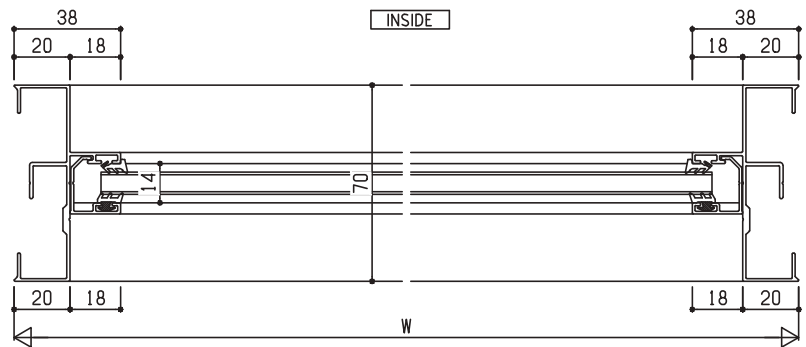
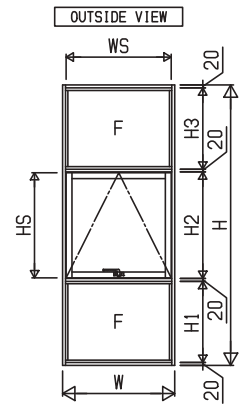
SYSTEM DRAWING



CAMLATCH



MULTIPOINT LOCK



* The handle type is automatically selected according to the size range.
Please check the size limitation graph.

TOP HUNG FRICTION STAYLESS



Performance

Structural (Wind Load)	1,200 Pa
Water Tightness	200 Pa
Sound Insulation	-25 dB

Specifications

Selected parts :

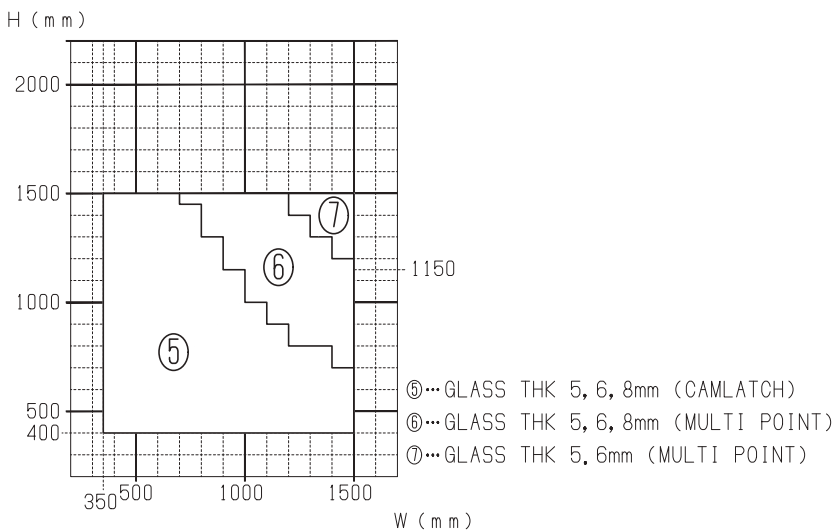
Cam latch, Multipoint Lock

Glass

Glass Size	Qty	Thickness
(W-118)×(H-120)	1	5,6,8

Size Limitation

1200Pa



TOP HUNG FRICTION STAYLESS

PRICE LIST

Juta Rp

W (mm)		350-400	401-500	501-600	601-700	701-800	801-900	901-1,000	1001-1,100	1101-1,200	1201-1,300	1301-1,400	1401-1,500
H (mm)													
	400	0.71	0.76	0.80	0.85	0.89	0.93	0.98	1.02	1.07	1.11	1.16	1.20
401	~ 500	0.76	0.80	0.84	0.89	0.93	0.98	1.02	1.06	1.11	1.15	1.20	1.24
501	~ 600	0.80	0.84	0.88	0.93	0.97	1.02	1.06	1.11	1.15	1.19	1.24	1.28
601	~ 700	0.84	0.89	0.93	0.97	1.01	1.06	1.10	1.15	1.19	1.24	1.28	1.32
701	~ 800	0.89	0.93	0.97	1.01	1.06	1.10	1.14	1.19	1.23	1.28	1.32	1.39
801	~ 900	0.93	0.97	1.01	1.06	1.10	1.14	1.19	1.23	1.27	1.32	1.35	1.39
901	~ 1,000	0.97	1.02	1.06	1.10	1.14	1.19	1.23	1.27	1.34	1.39	1.43	1.48
1,001	~ 1,100	1.02	1.06	1.10	1.14	1.19	1.23	1.27	1.34	1.39	1.43	1.47	1.52
1,101	~ 1,150	1.04	1.08	1.12	1.17	1.21	1.25	1.29	1.36	1.41	1.45	1.50	1.54
1,151	~ 1,200	1.06	1.10	1.15	1.19	1.23	1.27	1.34	1.39	1.43	1.47	1.52	1.56
1,201	~ 1,300	1.10	1.15	1.19	1.23	1.27	1.34	1.39	1.43	1.47	1.51	1.56	1.60
1,301	~ 1,400	1.15	1.19	1.23	1.27	1.32	1.39	1.43	1.47	1.51	1.56	1.60	1.64
1,401	~ 1,450	1.17	1.21	1.25	1.30	1.37	1.41	1.45	1.49	1.54	1.58	1.62	1.66
1,451	~ 1,500	1.19	1.23	1.28	1.32	1.39	1.43	1.47	1.52	1.56	1.60	1.64	1.69

 Handle Camlatch type

 Handle Multi Point type

* This price is not included glass, assembling fee, delivery fee and instalation fee.

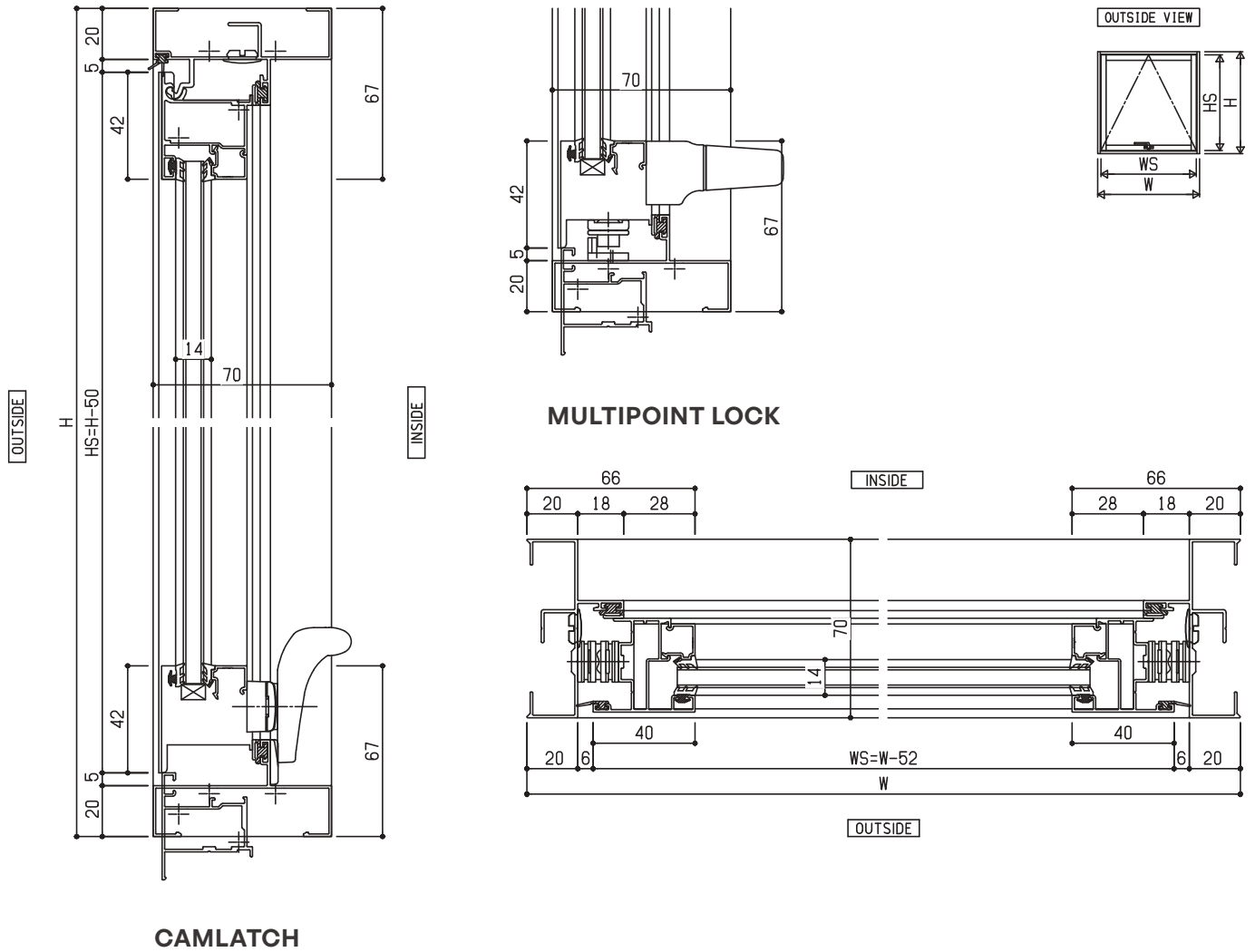
* The price include arm stopper

*The handle type is automatically selected according to the size range.

Please check the size limitation graph

TOP HUNG FRICTION STAYLESS

SYSTEM DRAWING



* The handle type is automatically selected according to the size range.
Please check the size limitation graph.

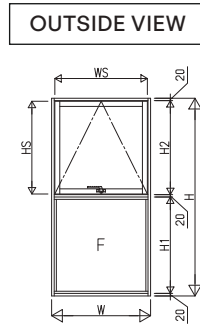
TOP HUNG FRICTION STAYLESS/FIX



Performance

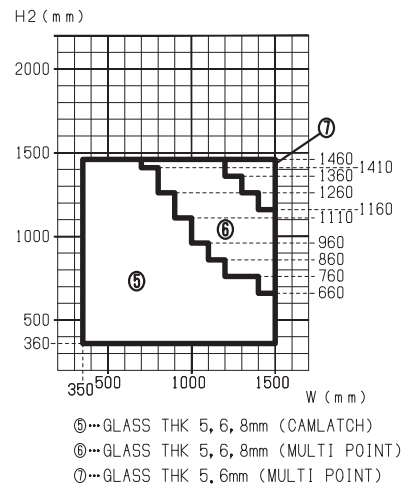
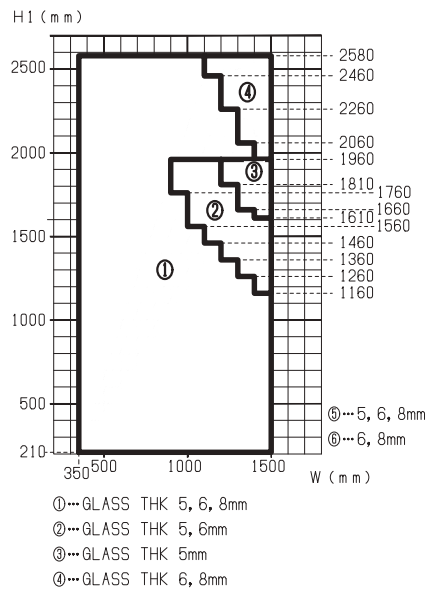
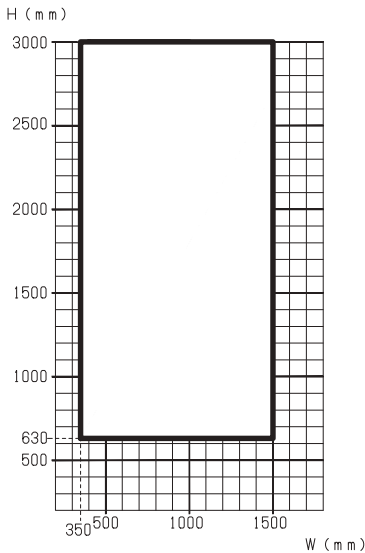
Structural (Wind Load)	1,200 Pa
Water Tightness	200 Pa
Sound Insulation	-25 dB

Standard Specification



h1, h2 :
System Order
Dimensions

Size Limitation



TOP HUNG FRICTION STAYLESS/FIX

PRICE LIST

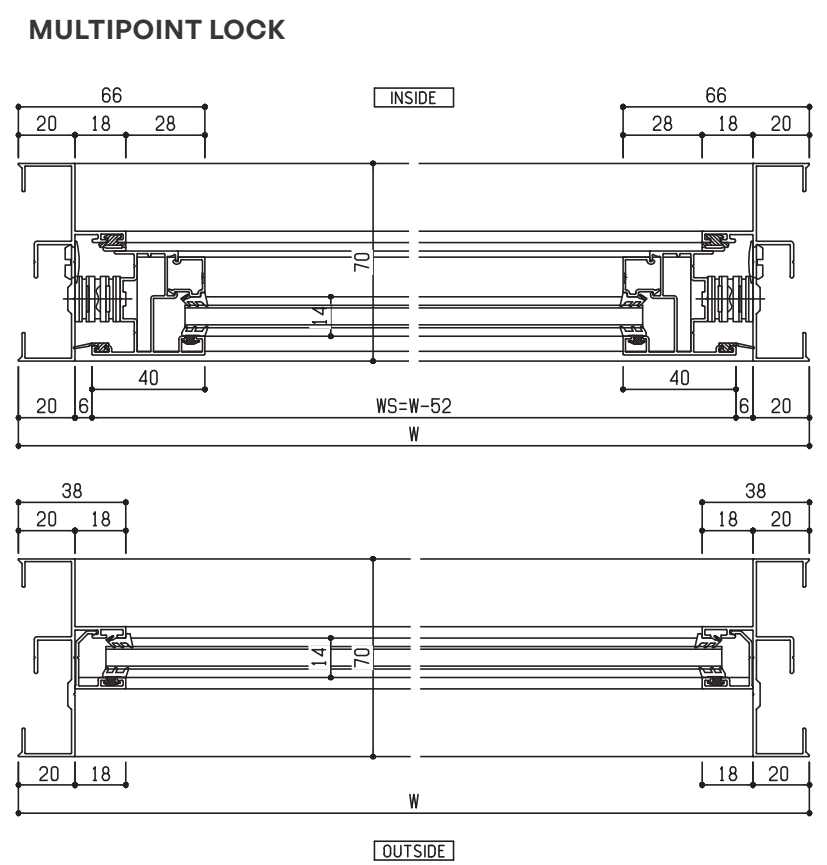
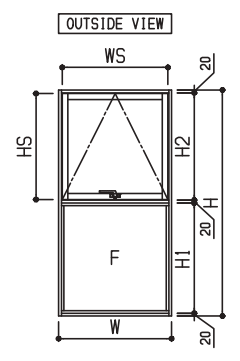
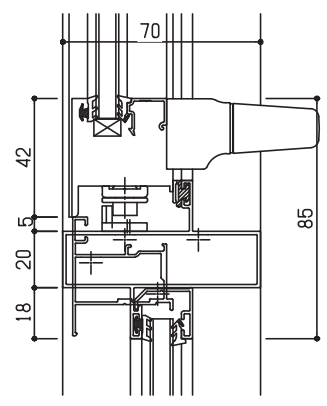
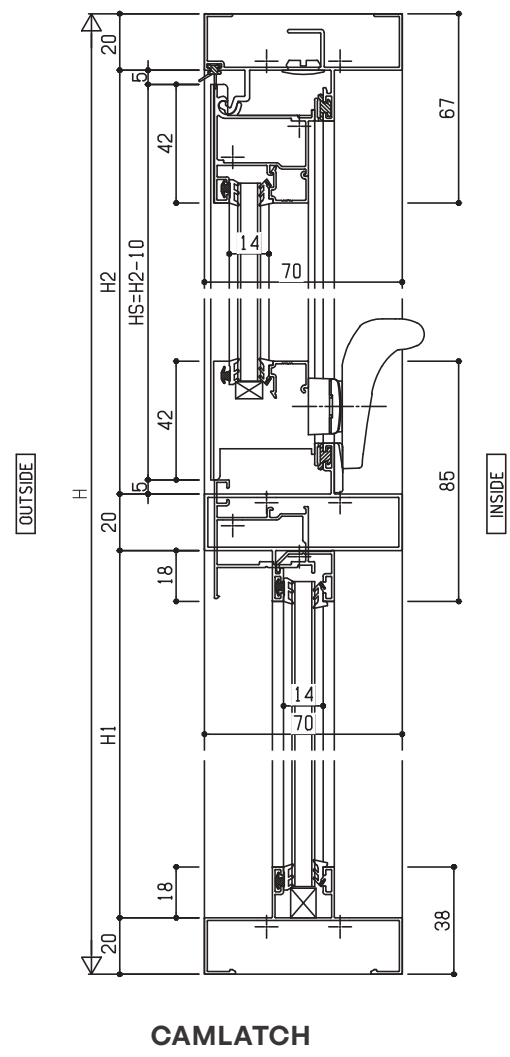
1 See page **80** for the upper Top Hung Friction Stayless

2 See page **52** for the lower FIX

Price : 1 + 2 - TRANSOM

*Please check the price on the MADELA online system.

TOP HUNG FRICTION STAYLESS/FIX SYSTEM DRAWING



* The handle type is automatically selected according to the size range.
Please check the size limitation graph.

FIX/TOP HUNG FRICTION STAYLESS

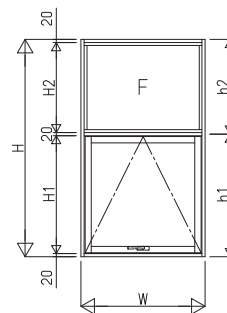


Performance

Structural (Wind Load)	1200 Pa
Water Tightness	200 Pa
Sound Insulation	-25 dB

Standard Specification

OUTSIDE VIEW

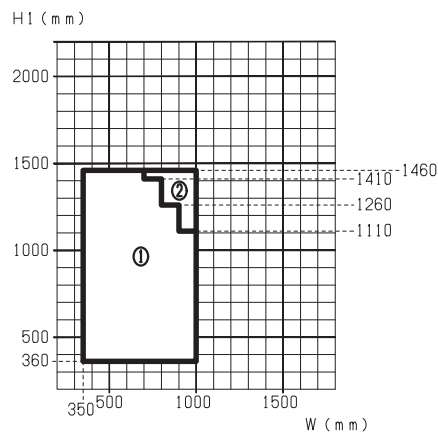
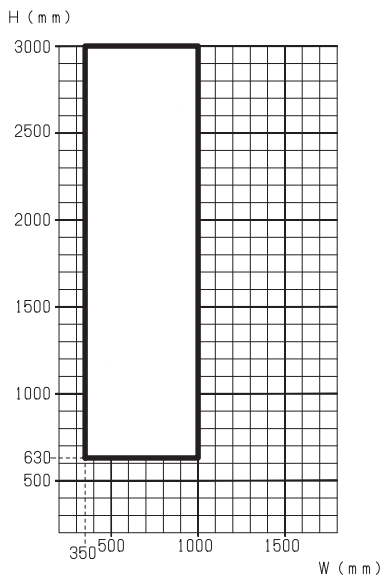


h1, h2 :
System Order
Dimensions

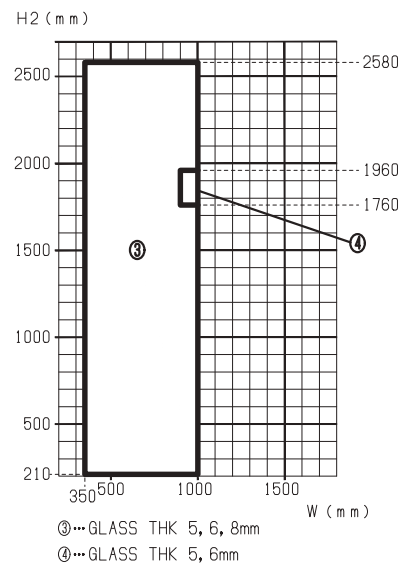
Glass

	Glass Size	Qty	Thickness
FIX	(W-62)×(H2-22)	1	5,6,8
TH	(W-118)×(H1-80)	1	5,6,8

Size Limitation



- ①...GLASS THK 5, 6, 8mm (CAMLATCH)
- ②...GLASS THK 5, 6, 8mm (MULTI POINT)



- ③...GLASS THK 5, 6, 8mm
- ④...GLASS THK 5, 6mm

FIX/TOP HUNG FRICTION STAYLESS

PRICE LIST

1 See page **52** for the upper FIX

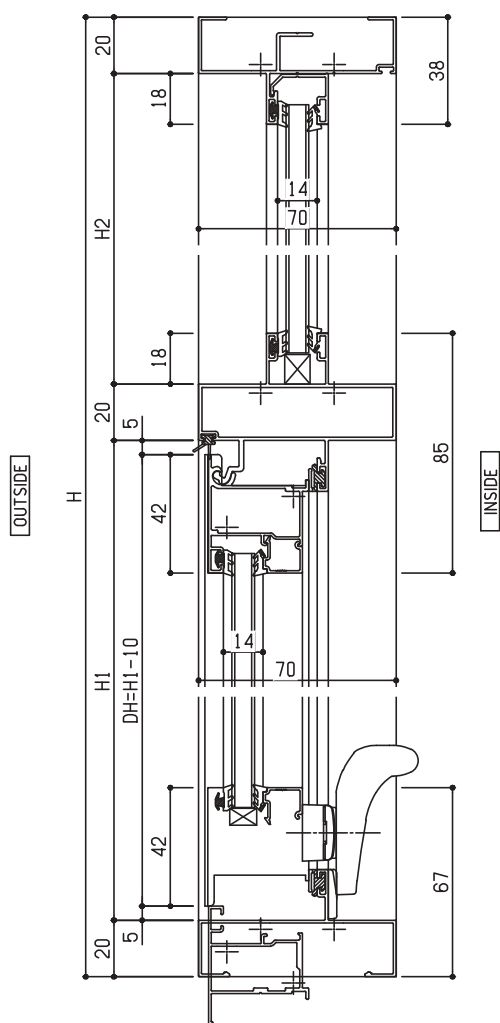
2 See page **80** for the lower Top Hung Friction Stayless

Price : 1 + 2 - TRANSOM

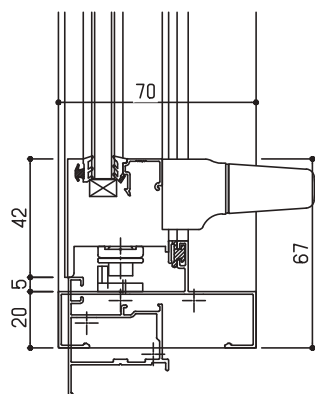
*Please check the price on the MADELA online system.

FIX/TOP HUNG FRICTION STAYLESS

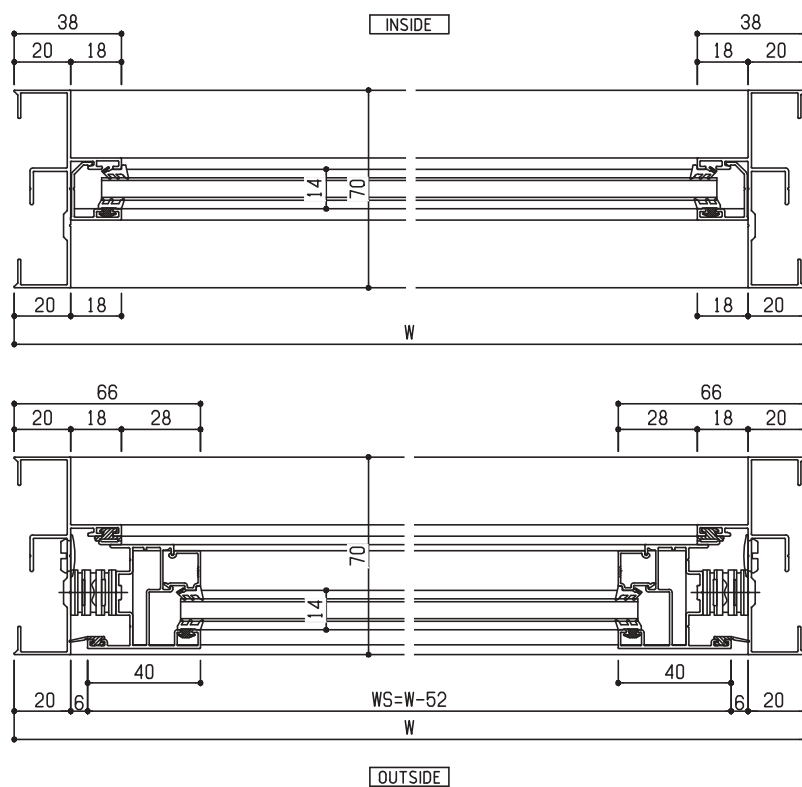
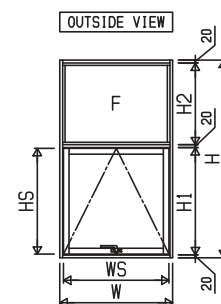
SYSTEM DRAWING



CAMLATCH



MULTIPOINT LOCK



* The handle type is automatically selected according to the size range.
Please check the size limitation graph.

FIX/TOP HUNG FRICTION STAYLESS/FIX

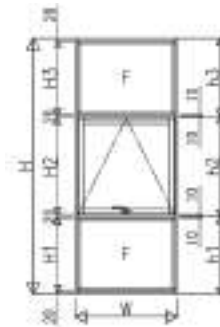


Performance

Structural (Wind Load)	1,200 Pa
Water Tightness	200 Pa
Sound Insulation	-25 dB

Standard Specification

OUTSIDE VIEW

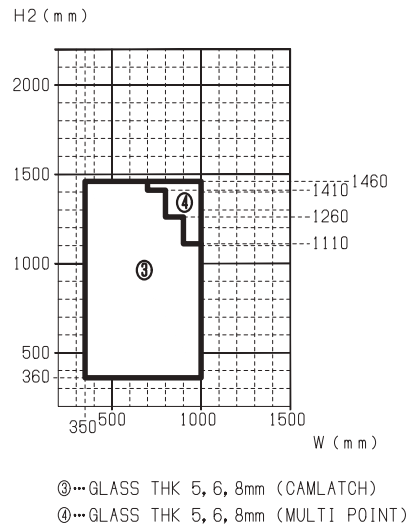
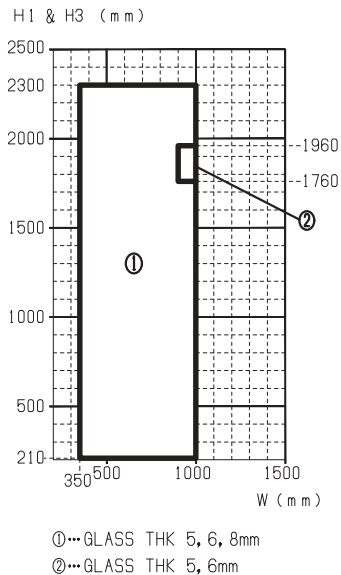
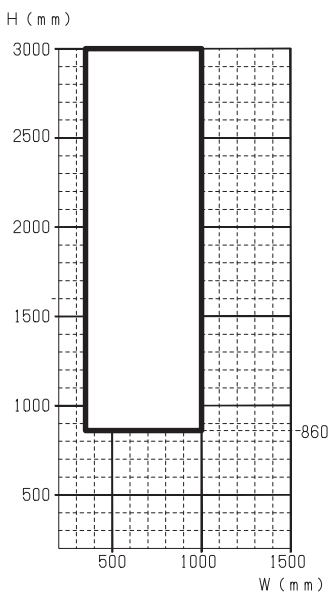


h1, h2, h3 :
System Order
Dimensions

Glass

	Glass Size	Qty	Thickness
FIX	(W-62) × (H3-22)	1	5,6,8
TH	(W-118) × (H2-80)	1	5,6,8
FIX	(W-62) × (H1-22)	1	5,6,8

Size Limitation



FIX/TOP HUNG FRICTION STAYLESS/FIX

PRICE LIST

1 See page **52** for the upper FIX

2 See page **80** for the middle Top Hung Friction Stayless

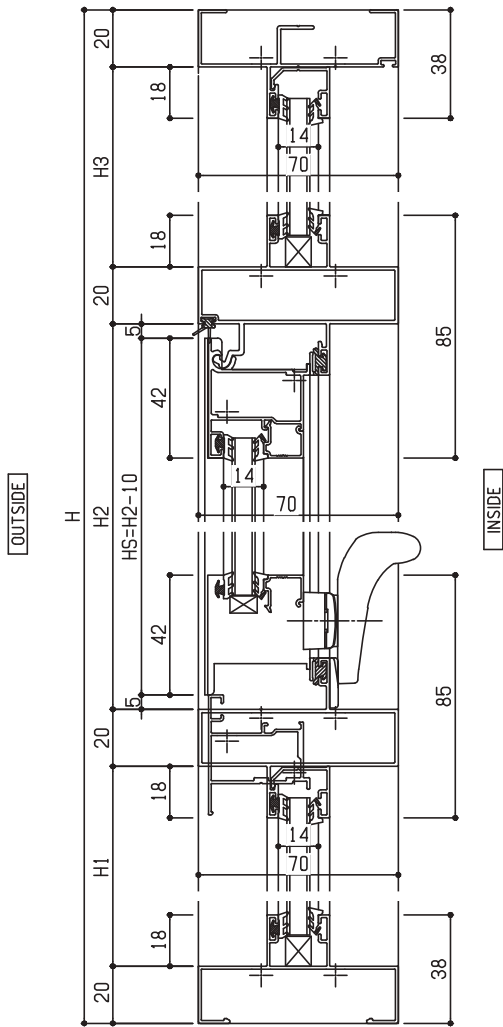
3 See page **52** for the lower FIX

Price : 1 + 2 + 3 - TRANSOM

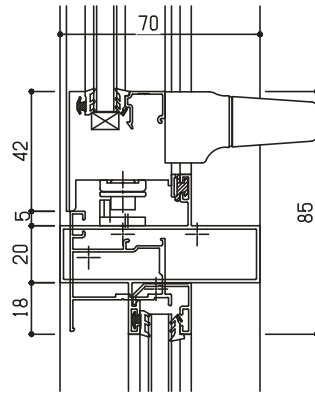
*Please check the price on the MADELA online system.

FIX/TOP HUNG FRICTION STAYLESS/FIX

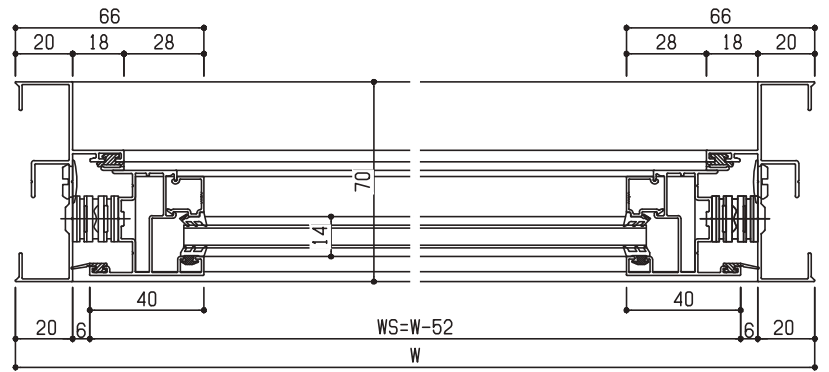
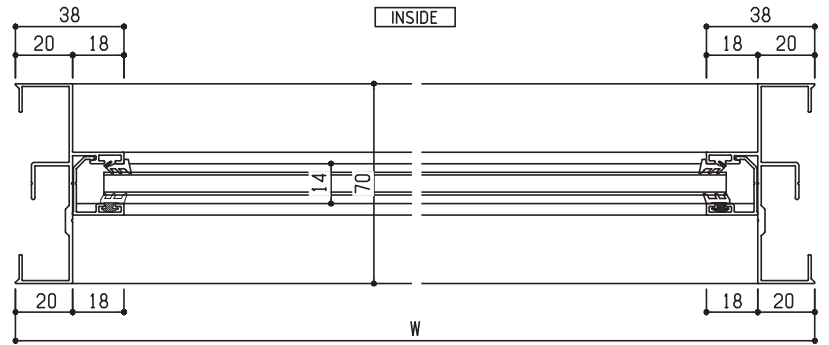
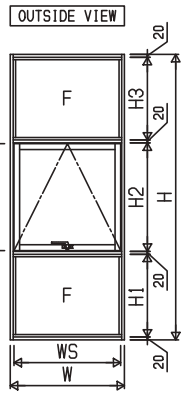
SYSTEM DRAWING



CAMLATCH



MULTIPOINT LOCK



* The handle type is automatically selected according to the size range.
Please check the size limitation graph.

CASEMENT



Performance

Structural (Wind Load)	1,200 Pa
Water Tightness	200 Pa
Sound Insulation	-25 dB

Glass

Glass Size	Qty	Thickness
(W-140)×(H-120)	1	5,6,8

Standard Specifications

OUTSIDE VIEW



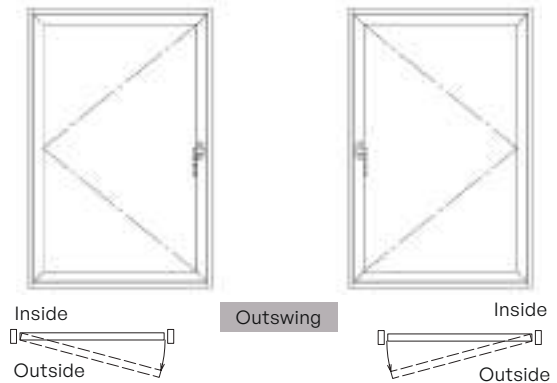
Handle Height : a
 - H/2
 - 625

Variation

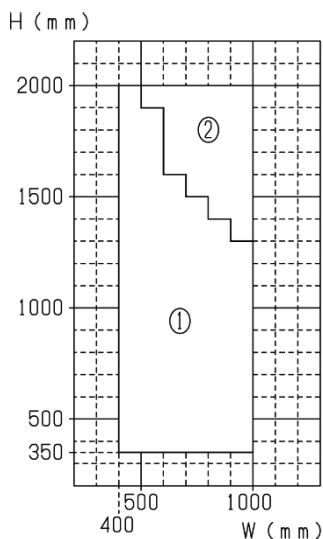
Right Swing (CAR)

Left Swing (CAL)

OUTSIDE VIEW



Size Limitation



- 1 Camlatch
- 2 Multi Point

CASEMENT

PRICE LIST

Juta Rp

H (mm) \ W (mm)		W (mm)						
		400	401-500	501-600	601-700	701-800	801-900	901-1.000
350 ~ 400	400	0,82	0,86	0,92	0,96	1,00	1,08	1,32
401 ~ 500	500	0,86	0,90	0,96	1,00	1,04	1,12	1,36
501 ~ 600	600	0,90	0,94	1,00	1,04	1,08	1,16	1,40
601 ~ 700	700	0,94	0,98	1,04	1,08	1,12	1,20	1,44
701 ~ 800	800	0,98	1,02	1,08	1,12	1,16	1,24	1,48
801 ~ 900	900	1,03	1,07	1,13	1,17	1,21	1,29	1,53
901 ~ 1.000	1.000	1,07	1,11	1,17	1,21	1,25	1,33	1,57
1.001 ~ 1.100	1.100	1,12	1,16	1,22	1,26	1,30	1,38	1,62
1.101 ~ 1.200	1.200	1,16	1,20	1,26	1,30	1,34	1,42	1,66
1.201 ~ 1.300	1.300	1,20	1,24	1,30	1,34	1,38	1,47	1,70
1.301 ~ 1.400	1.400	1,25	1,29	1,35	1,39	1,42	1,51	1,80
1.401 ~ 1.500	1.500	1,29	1,33	1,39	1,43	1,46	1,61	1,84
1.501 ~ 1.600	1.600	1,33	1,37	1,43	1,47	1,59	1,68	1,91
1.601 ~ 1.700	1.700	1,37	1,41	1,47	1,59	1,63	1,72	1,95
1.701 ~ 1.800	1.800	1,41	1,45	1,51	1,63	1,67	1,76	1,99
1.801 ~ 1.900	1.900	1,45	1,49	1,55	1,67	1,71	1,80	2,03
1.901 ~ 2.000	2.000	1,49	1,53	1,68	1,71	1,75	1,84	2,07

 Handle Camlatch type

 Handle Multi Point type

*This price is not included glass, assembling fee, delivery fee and installation fee.

* In case of adding Stopper base on size limitation;

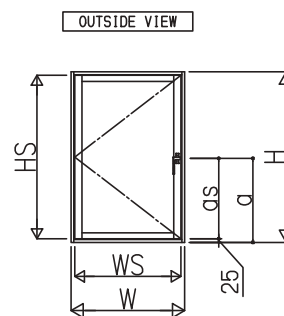
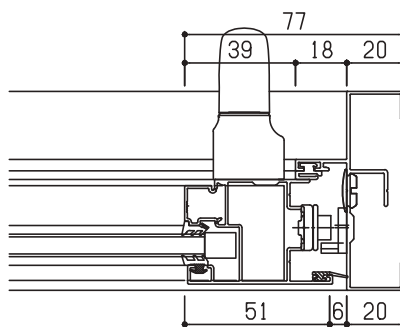
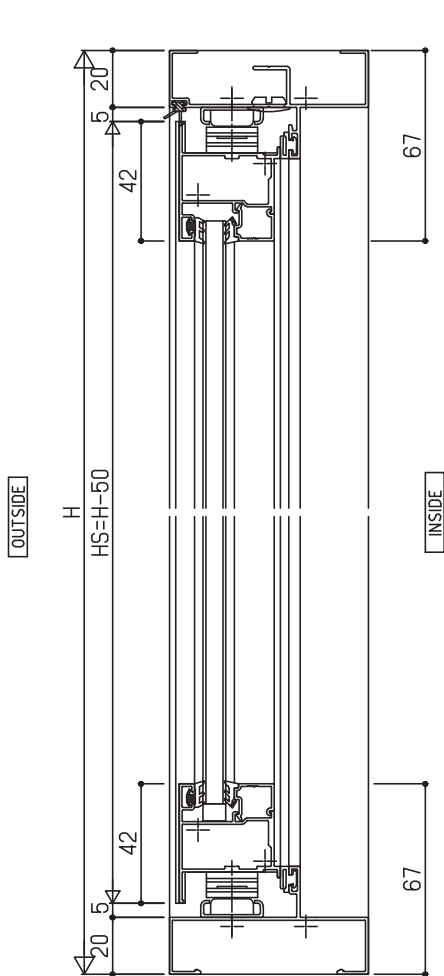
- Arm stopper please add IDR 165.150,- to the price list above.
- Alm Plate 33 mm please add IDR 12.990,- to the price list above.
- Alm Plate 47 mm please add IDR 16.720,- to the price list above.

* The handle type is automatically selected according to the size range.

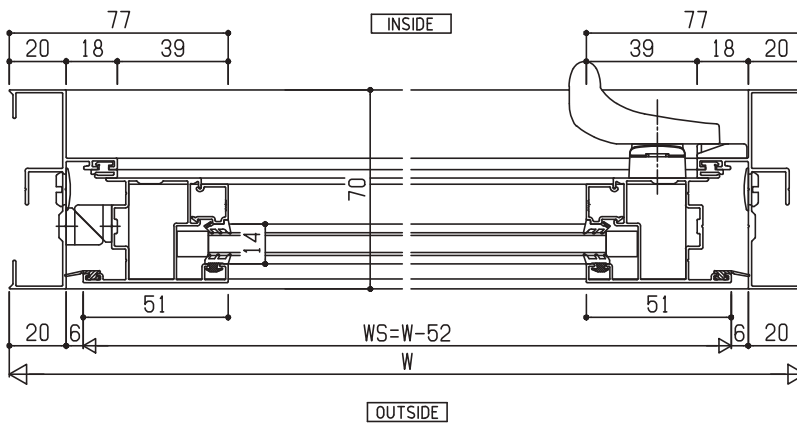
Please check the size limitation graph.

CASEMENT

SYSTEM DRAWING



MULTI POINT



CAMLATCH

* The handle type is automatically selected according to the size range.

Please check the size limitation graph.

CASEMENT/FIX



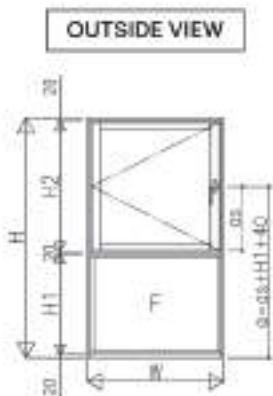
Performance

Structural (Wind Load)	1,200 Pa
Water Tightness	200 Pa
Sound Insulation	-25 dB

Glass

	Glass Size	Qty	Thickness
CA	(W-140)×(H2-80)	1	6,6,8
FIX	(W-62)×(H1-22)	1	6,6,8

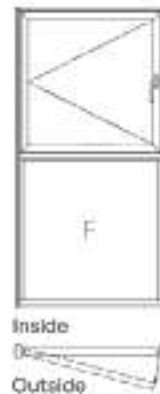
Standard Specifications



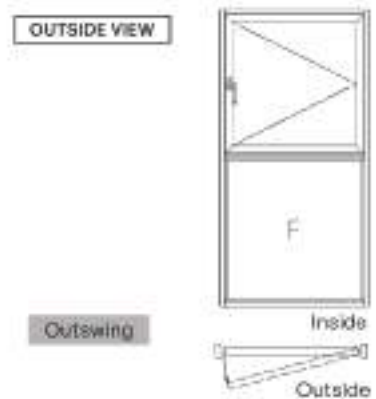
Handle Height : as
- H2/2
- 600

Variation

Right Swing (CAR/FIX)

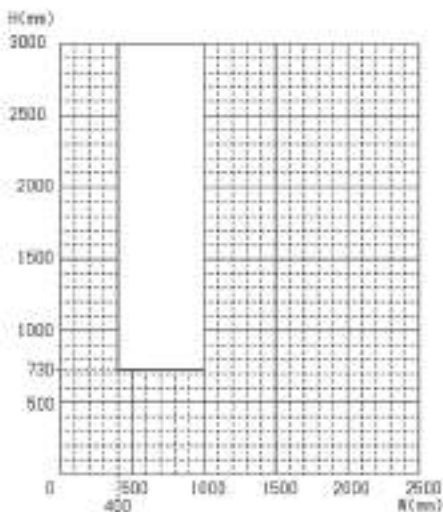


Left Swing (CAL/FIX)

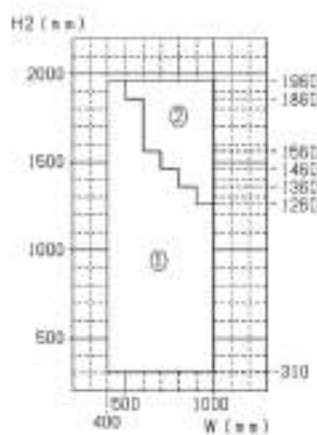


Size Limitation

WH size



H2 size



H1 size

360 ≤ H1 ≤ 2580

- 1 Camlatch
- 2 Multi Point

* Maximum H2500 for continuous windows

CASEMENT/FIX

PRICE LIST

1 See page **96** for the upper Casement

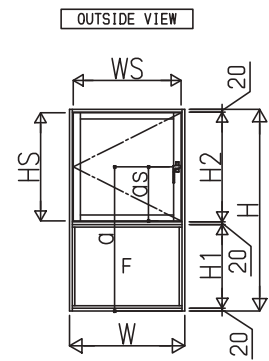
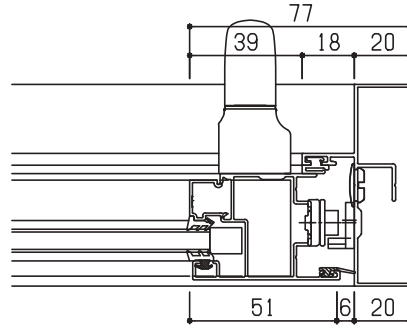
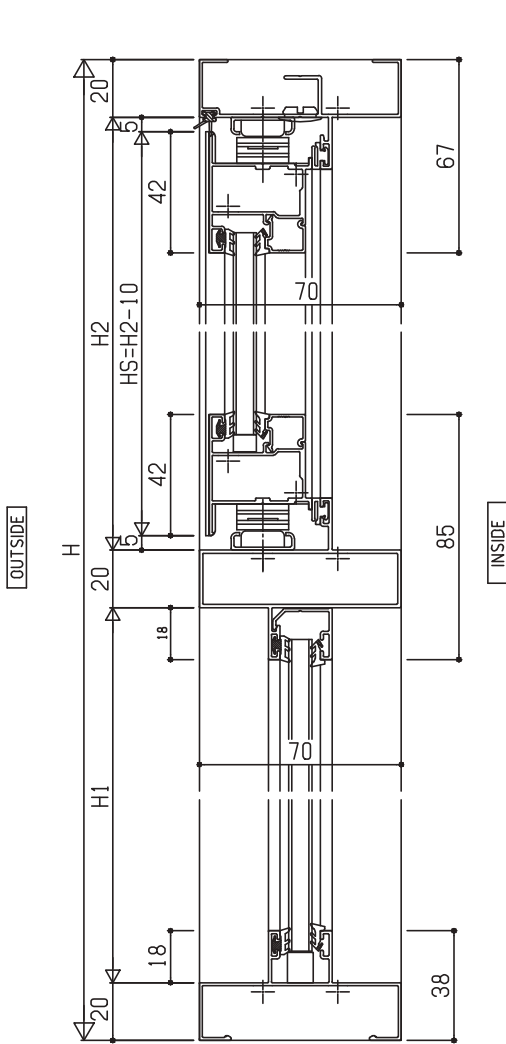
2 See page **52** for the lower FIX

Price : 1 + 2 - TRANSOM

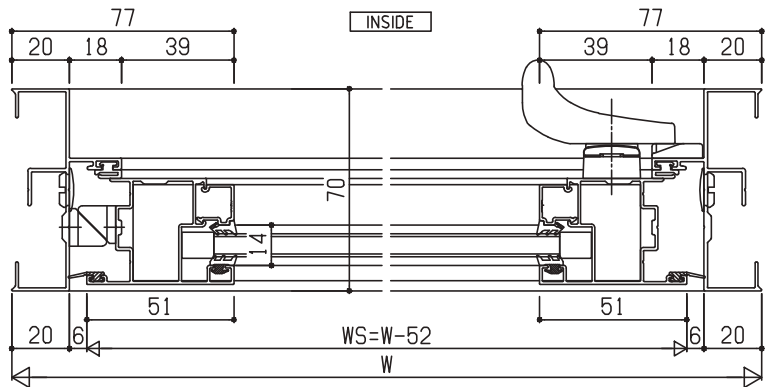
*Please check the price on the MADELA online system.

CASEMENT/FIX

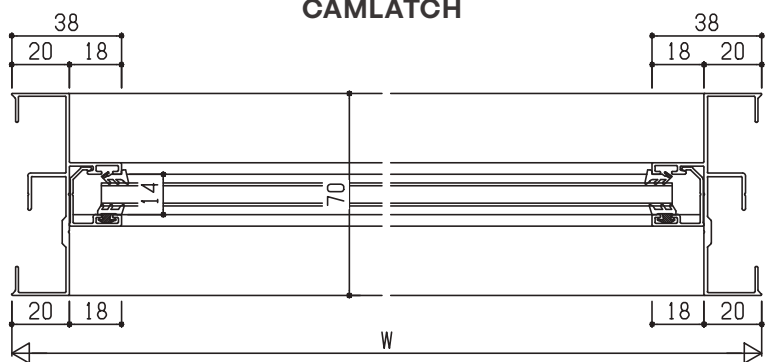
SYSTEM DRAWING



MULTI POINT



CAMLATCH





Performance

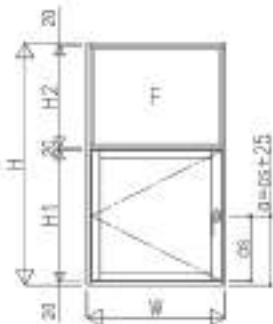
Structural (Wind Load)	1,200 Pa
Water Tightness	200 Pa
Sound Insulation	-25 dB

Glass

	Glass Size	Qty	Thickness
FIX	(W-62)×(H2-22)	1	5,6,8
CA	(W-140)×(H1-80)	1	5,6,8

Standard Specifications

OUTSIDE VIEW

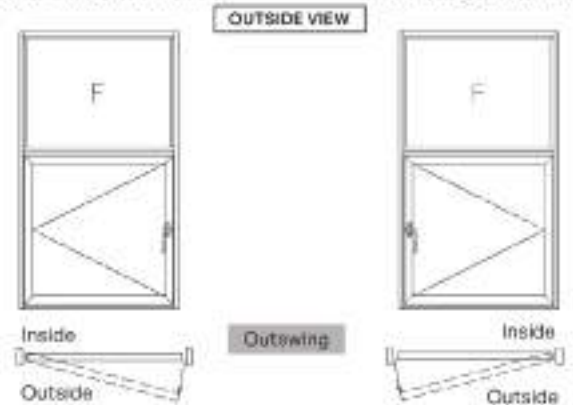


Handle Height : as
 - H1/2
 - 600

Variation

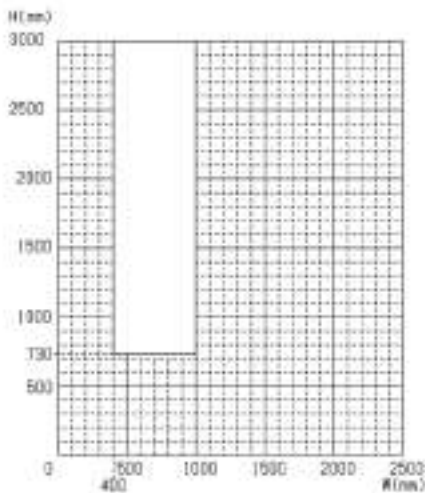
Right Swing (FIX/CAR)

Left Swing (FIX/CAL)

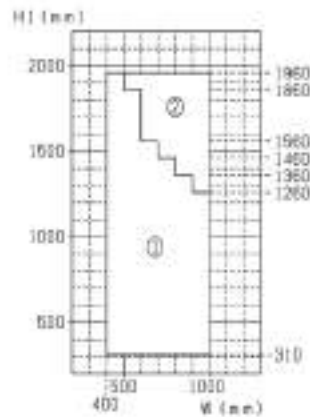


Size Limitation

WH size



H1 size



H2 size

$360 \leq H2 \leq 2680$

- 1 Camlatch
- 2 Multi Point

* Maximum H2500 for continuous windows

FIX/CASEMENT

PRICE LIST

1 See page **52** for the upper FIX

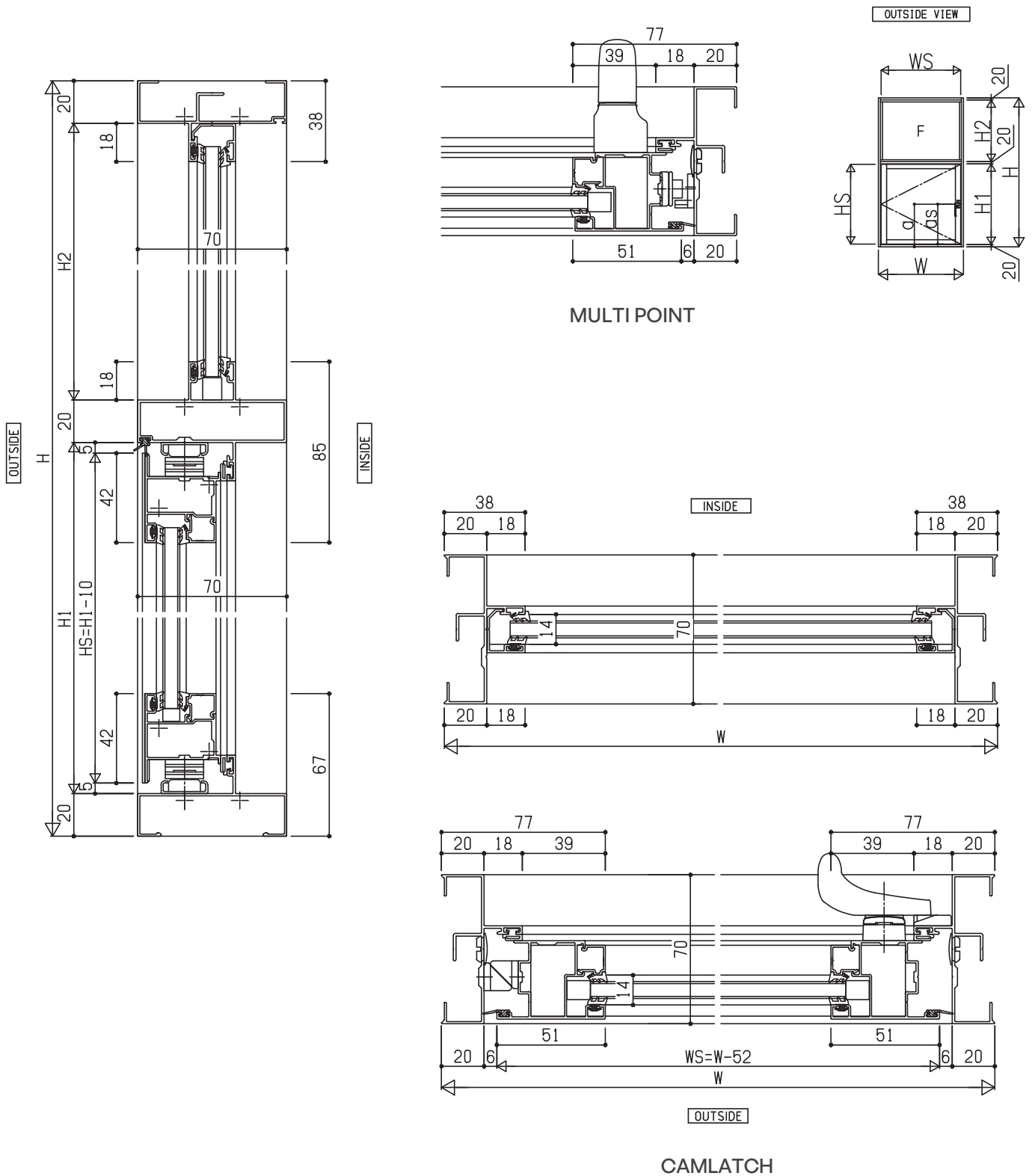
2 See page **96** for the lower Casement

Price : 1 + 2 - TRANSOM

*Please check the price on the MADELA online system.

FIX/CASEMENT

SYSTEM DRAWING



* The handle type is automatically selected according to the size range.
Please check the size limitation graph.

FIX/CASEMENT/FIX



Performance

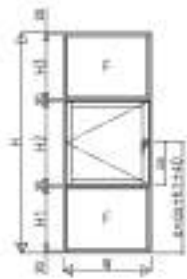
Structural (Wind Load)	1,200 Pa
Water Tightness	200 Pa
Sound Insulation	-25 dB

Glass

	Glass Size	Qty	Thickness
FIX	(W-62) × (H3-22)	1	5,6,8
CA	(W-140) × (H2-80)	1	5,6,8
FIX	(W-62) × (H1-22)	1	5,6,8

Standard Specifications

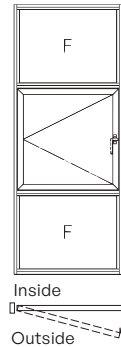
OUTSIDE VIEW



Handle Height : as
- H2/2
- 600

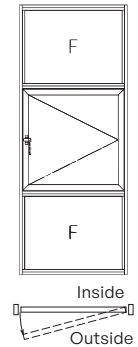
Variation

Right Swing (FIX/CAR/FIX)



Left Swing (FIX/CAL/FIX)

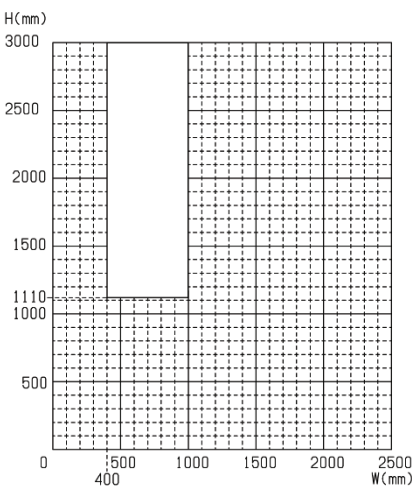
OUTSIDE VIEW



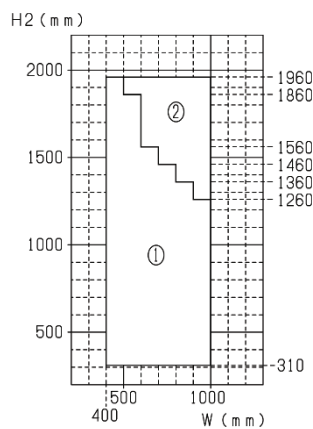
Outswing

Size Limitation

WH size



H2 size



H1, H3 size

$$360 \leq H3 \leq 2200$$

$$360 \leq H1 \leq 2200$$

1 Camlatch

2 Multi Point

* Maximum H2500 for continuous windows

FIX/CASEMENT/FIX

PRICE LIST

1 See page **52** for the upper FIX

2 See page **96** for the middle Casement

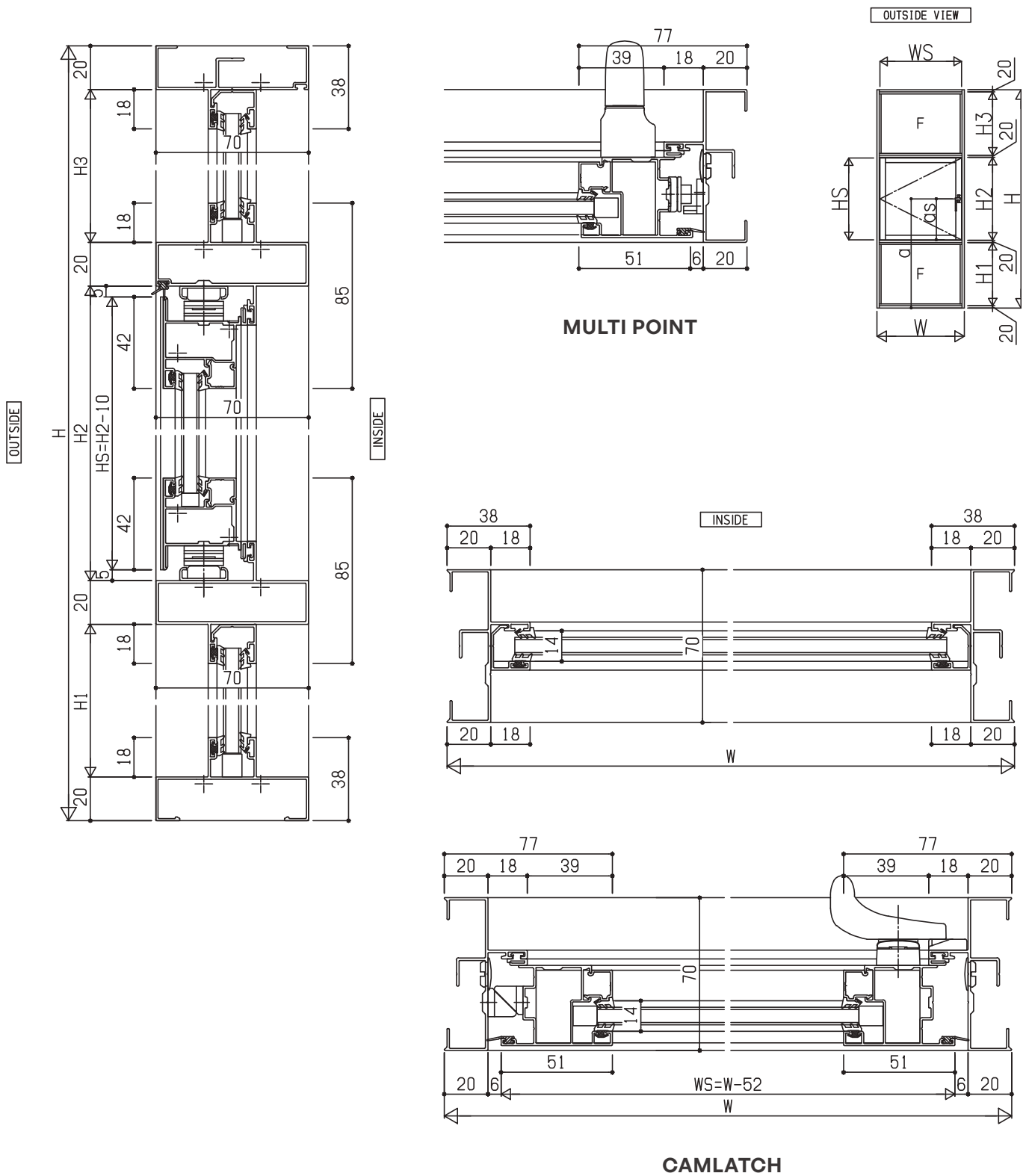
3 See page **52** for the lower FIX

Price : 1 + 2 + 3 + TRANSOM

*Please check the price on the MADELA online system.

FIX/CASEMENT/FIX

SYSTEM DRAWING



* The handle type is automatically selected according to the size range.
Please check the size limitation graph.

DOOR (WITH SILL)



With Sill
With Handle set

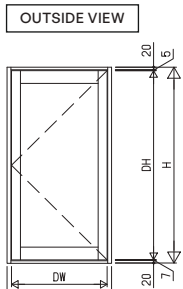
Performance

Structural (Wind Load)	1200 Pa
Water Tightness	200 Pa
Sound Insulation	-

Glass

Glass Size	Qty	Thickness
(W-199)(H-238)	1	5,6,8

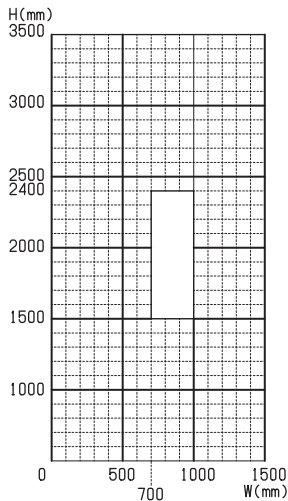
Standard Specifications



*Outswing (R)
Handle Height : a = 1000

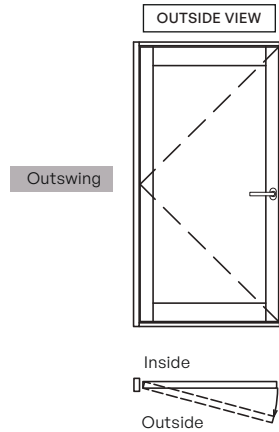
Size Limitation

With Sill/High Rise

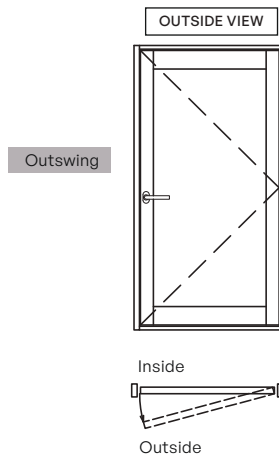


Variation

Right Swing (DOOR-CR)



Left Swing (DOOR-CL)



DOOR (WITH SILL)

PRICE LIST

SINGLE DOOR

Juta Rp

FRAME AND INNER PRICE

H (mm) \ W (mm)	W (mm)			
	700	701-800	801-900	901-1,000
1,500	2.06	2.12	2.18	2.23
1,501 ~ 1,600	2.12	2.17	2.23	2.29
1,601 ~ 1,700	2.17	2.23	2.28	2.34
1,701 ~ 1,800	2.22	2.28	2.34	2.39
1,801 ~ 1,900	2.28	2.33	2.39	2.45
1,901 ~ 2,000	2.33	2.39	2.45	2.50
2,001 ~ 2,100	2.39	2.44	2.50	2.55
2,101 ~ 2,200	2.44	2.49	2.55	2.61
2,201 ~ 2,300	2.49	2.55	2.60	2.66
2,301 ~ 2,400	2.55	2.60	2.66	2.72

* This price does not include glass, assembling fee, delivery fee and installation fee.

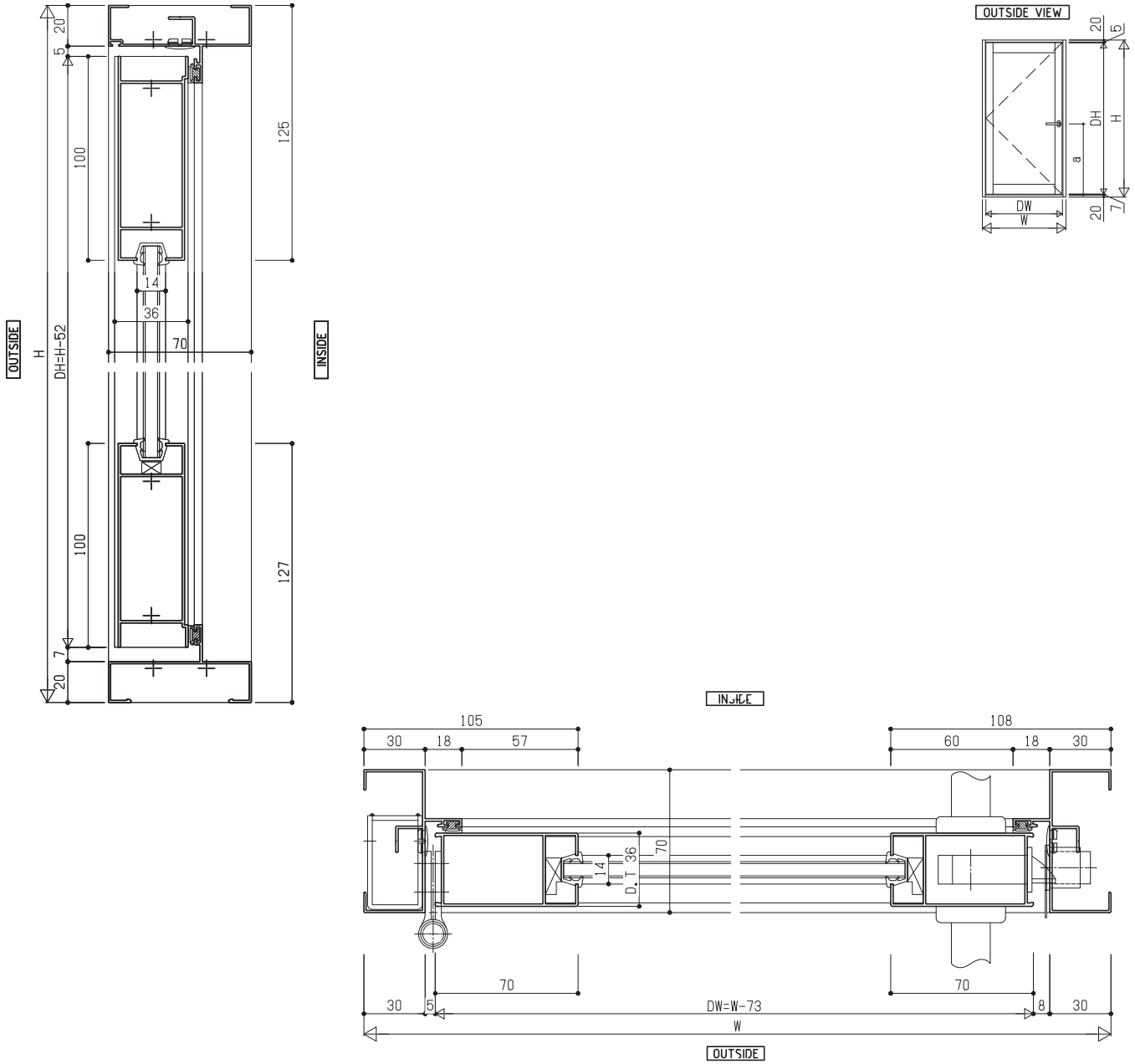
HANDLE SET PRICE

For the specifications with Handle set, 0.4 juta/set will be added to the door price frame and inner frame.



DOOR (WITH SILL) SYSTEM DRAWING

OUTSWING



FIX/DOOR (WITH SILL)



With Sill
With Lockset

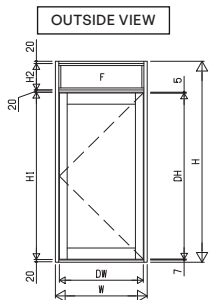
Performance

Structural (Wind Load)	1200 Pa
Water Tightness	200 Pa
Sound Insulation	-

Glass

	Glass Size	Qty	Thickness
Door	(W-199)(H1-198)	1	5,6,8
FIX	(W-82)(H2-22)	1	5,6,8

Standard Specifications

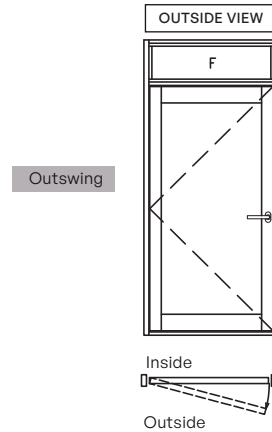


*Outswing (R)

Handle Height : a = 1000

Variation

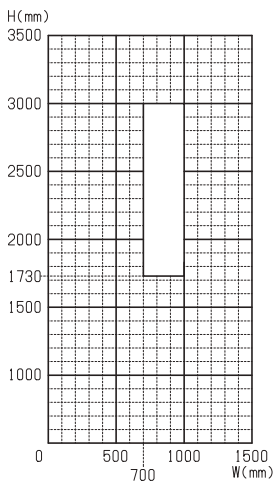
Right Swing (DOOR-CR)



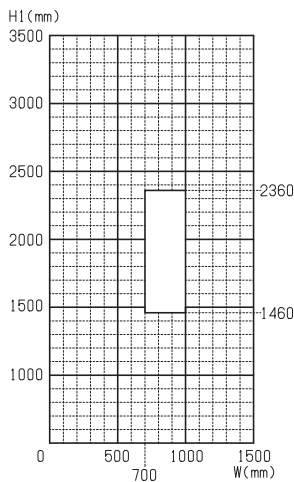
Size Limitation

With Sill/High Rise

WH SIZE



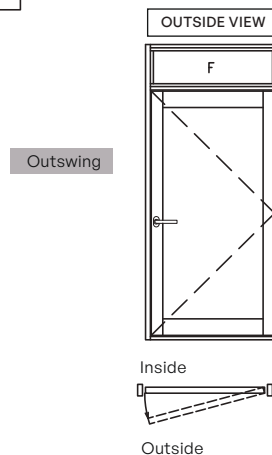
H1 SIZE



H2 SIZE

$$210 \leq H2 \leq 1480$$

Left Swing (DOOR-CL)



FIX/DOOR (WITH SILL)

PRICE LIST

1 See page **52** for the upper FIX

2 See page **112** for the lower Door

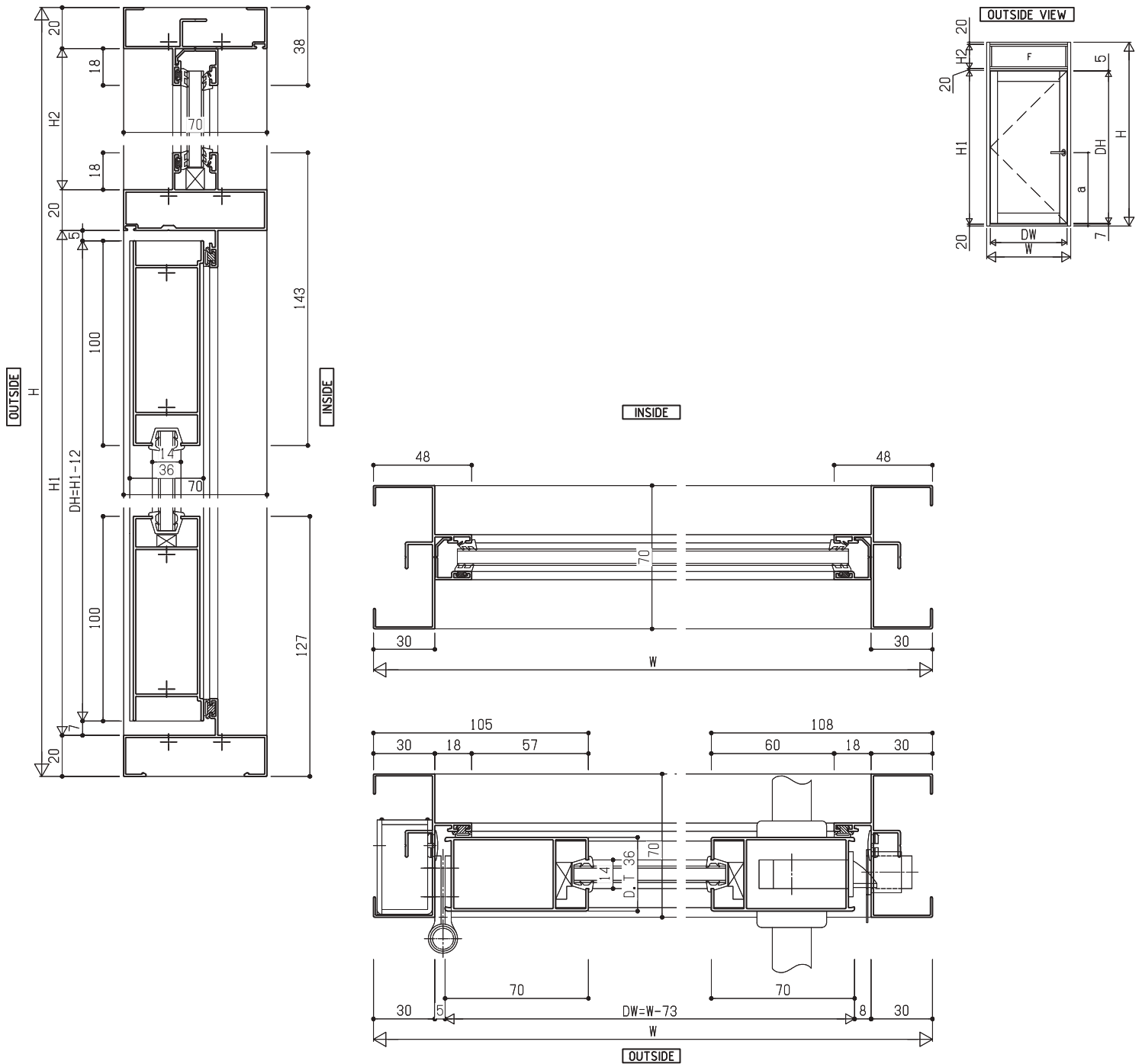
Price : 1 + 2 - TRANSOM

*Please check the price on the MADELA online system.

FIX/DOOR (WITH SILL)

SYSTEM DRAWING

OUTSWING



CONTINUOUS WINDOWS

(STANDARD TYPE)

Ensure optimal performance and appearance by selecting Mullion options by Condition Pattern

Condition Pattern

	MADELA FIX · TH · CA	MADELA SL2 · SL4	MADELA Door (lock side use)	MADELA Door (hinge side use)	Other series
MADELA FIX · TH · CA	M ^{*1} C	T ^{*2}	T ^{*2}	HT ^{*3}	T ^{*2}
MADELA SL2 · SL4	T ^{*2}	T ^{*2}	T ^{*2}	HT ^{*3}	T ^{*2}
MADELA Door (lock side use)	T ^{*2}	T ^{*2}	T ^{*2}	HT ^{*3}	T ^{*2}
MADELA Door (hinge side use)	HT ^{*3}	HT ^{*3}	HT ^{*3}		HT ^{*3}
Other series	T ^{*2}	T ^{*2}	T ^{*2}	HT ^{*3}	T ^{*2}

(MULLION TYPE)

M : Mullion

C : Coupling Mullion

T : T-Mullion

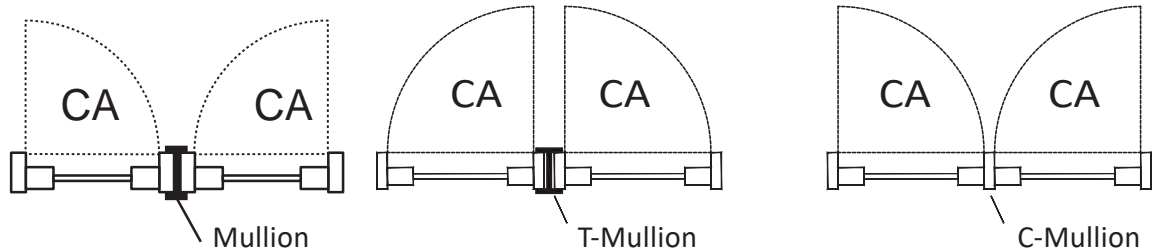
HT : Hinge at T-Mullion

CONTINUOUS WINDOWS CONDITION

*1 CASE USING MADELA MULLION

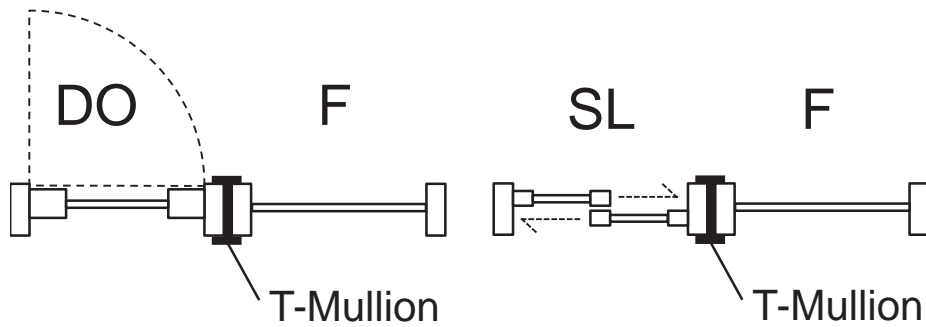
Standard Coupling Mullion can be used at MADELA FIX/TH/CA.

However, when using Mullion with CA, please use T-Mullion in the case of the combination shown below.



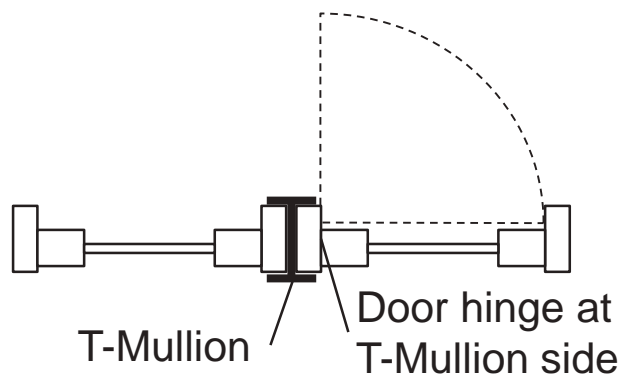
*2 CASE USING MADELA MULLION

Please use T-Mullion to connect MADELA SL/Door with other sash.



*3 CASE USING MADELA MULLION

Please use Hinge T-Mullion for door with hinge at Mullion side.



CONTINUOUS WINDOWS

MULLION



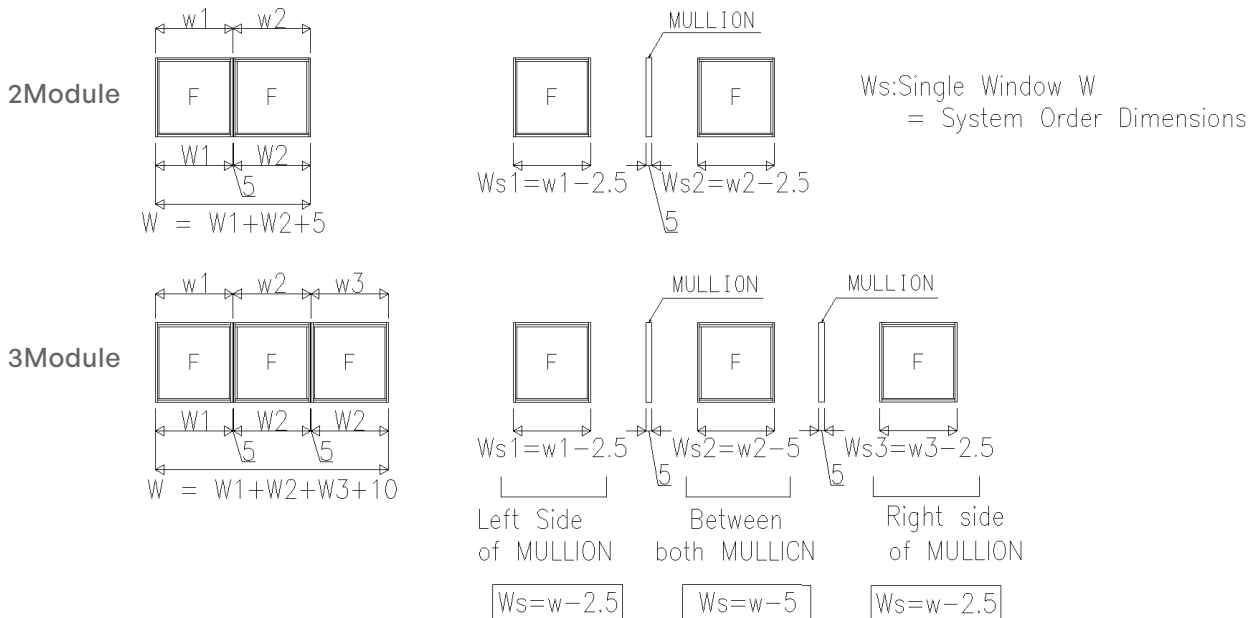
*Sliding cannot be combined as a continuous window

Performance

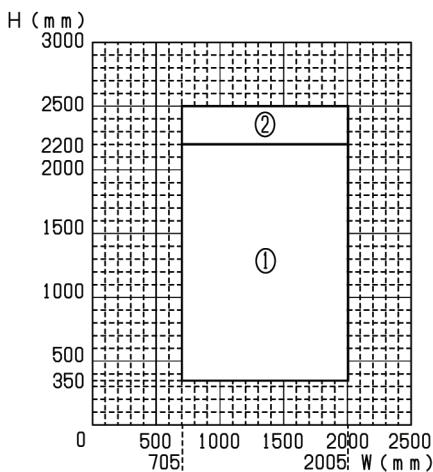
Structural (Wind Load)	1,200 Pa
Water Tightness	200 Pa
Sound Insulation	-25 dB

PERFORMANCE OF CONTINUOUS WINDOWS

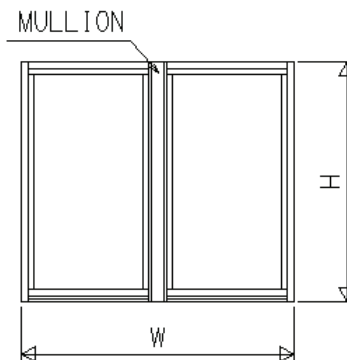
System Order Dimensions



Size Limitation



- 1 Standard
- 2 High Strength



SEE SYSTEM DRAWING (P69) FOR HIGH STRENGTH AND STANDARD

MULLION

PRICE LIST

Juta Rp

H (m m)	
350 ~ 400	0.05
401 ~ 500	0.06
501 ~ 600	0.06
601 ~ 700	0.07
701 ~ 800	0.08
801 ~ 900	0.09
901 ~ 1,000	0.10
1,001 ~ 1,100	0.10
1,101 ~ 1,200	0.11
1,201 ~ 1,300	0.12
1,301 ~ 1,400	0.13
1,401 ~ 1,500	0.14
1,501 ~ 1,600	0.14
1,601 ~ 1,700	0.15
1,701 ~ 1,800	0.16
1,801 ~ 1,900	0.17
1,901 ~ 2,000	0.18
2,001 ~ 2,100	0.18
2,101 ~ 2,200	0.19
2,201 ~ 2,300	0.46
2,301 ~ 2,400	0.48
2,401 ~ 2,500	0.50

Standard type

High Strength type

* This price is not included glass, assembling fee, delivery fee and installation fee.

* The Mullion type is automatically selected according to the size range. Please check the size limitation graph.

CONTINUOUS WINDOWS

T-MULLION



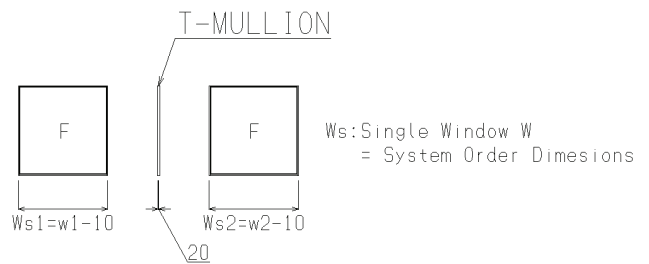
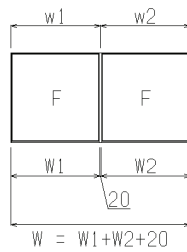
Performance

Structural (Wind Load)	1200 Pa
Water Tightness	200 Pa
Sound Insulation	-25 dB

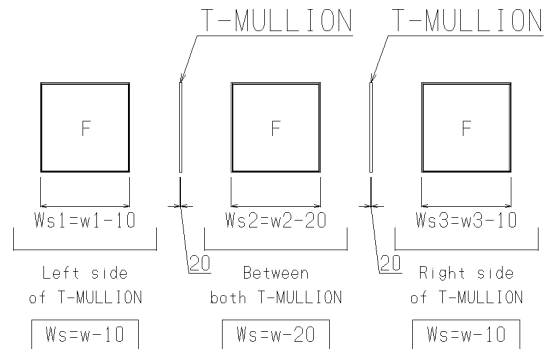
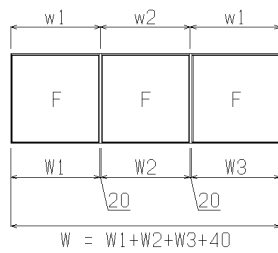
PERFORMANCE OF CONTINUOUS WINDOWS

System Order Dimensions

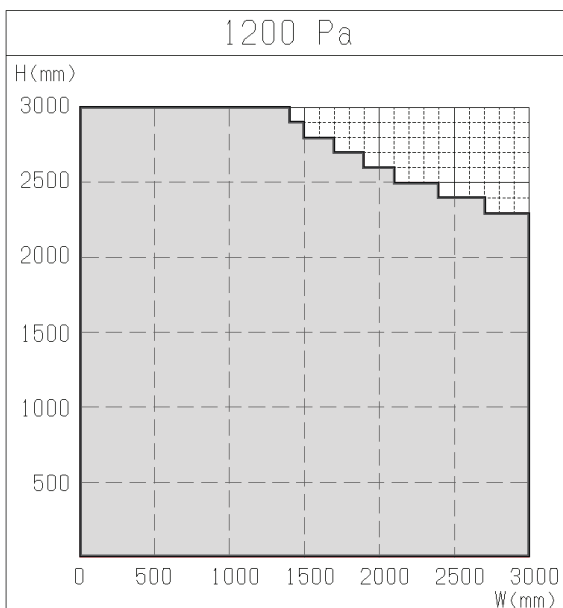
● 2 Module



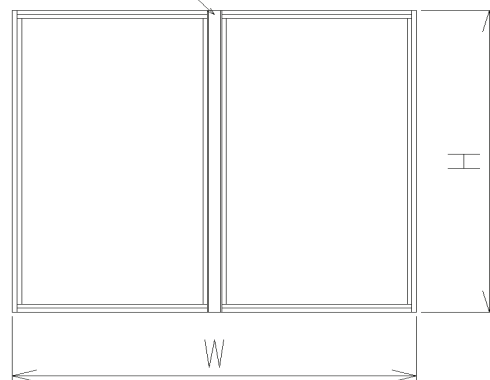
● 3 Module



Size Limitation



T-MULLION



T-MULLION

PRICE LIST

Juta Rp

H (m m)		
350	400	0.23
401	500	0.25
501	600	0.27
601	700	0.29
701	800	0.32
801	900	0.34
901	1,000	0.36
1,001	~ 1,100	0.38
1,101	~ 1,200	0.41
1,201	~ 1,300	0.43
1,301	~ 1,400	0.45
1,401	~ 1,500	0.47
1,501	~ 1,600	0.50
1,601	~ 1,700	0.52
1,701	~ 1,800	0.54
1,801	~ 1,900	0.56
1,901	~ 2,000	0.59
2,001	~ 2,100	0.61
2,101	~ 2,200	0.63
2,201	~ 2,300	0.66
2,301	~ 2,400	0.68
2,401	~ 2,500	0.70
2,501	~ 2,600	0.73
2,601	~ 2,700	0.75
2,701	~ 2,800	0.77
2,801	~ 2,900	0.80
2,901	~ 3,000	0.82

*This price is not included glass, assembling fee, delivery fee and installation fee.

* For the specifications with Hinge for Reinforcement, 0,08 juta/set will be added to the price above"

CONTINUOUS WINDOWS

COUPLING MULLION



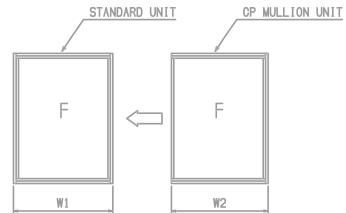
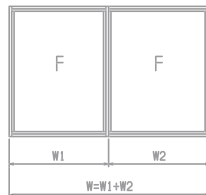
Performance

Structural (Wind Load)	1200 Pa
Water Tightness	200 Pa
Sound Insulation	-25 dB

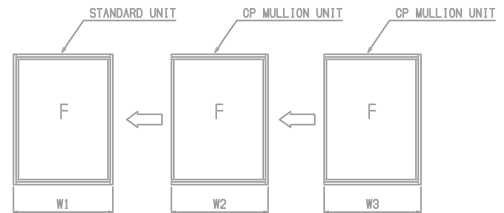
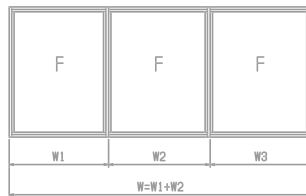
PERFORMANCE OF CONTINUOUS WINDOWS

System Order Dimensions

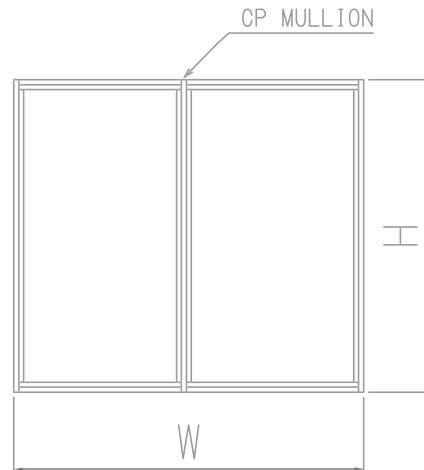
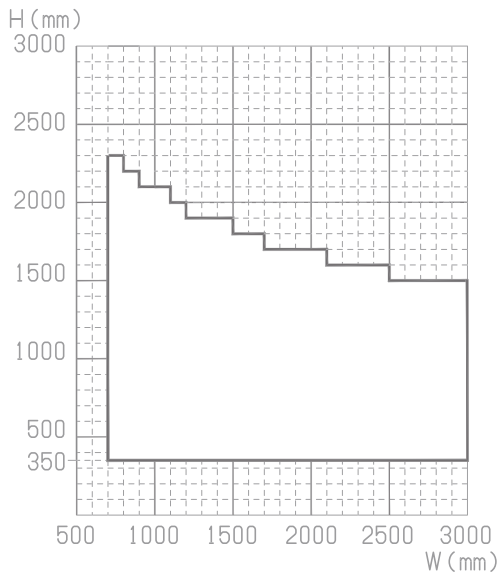
2 Module



3 Module



Size Limitation



COUPLING MULLION

PRICE LIST

H (mm)	Juta Rp
350 ~ 400	-0.013
401 ~ 500	-0.016
501 ~ 600	-0.020
601 ~ 700	-0.024
701 ~ 800	-0.028
801 ~ 900	-0.032
901 ~ 1,000	-0.036
1,001 ~ 1,100	-0.040
1,101 ~ 1,200	-0.044
1,201 ~ 1,300	-0.047
1,301 ~ 1,400	-0.051
1,401 ~ 1,500	-0.055
1,501 ~ 1,600	-0.059
1,601 ~ 1,700	-0.063
1,701 ~ 1,800	-0.067
1,801 ~ 1,900	-0.071
1,901 ~ 2,000	-0.075
2,001 ~ 2,100	-0.079
2,101 ~ 2,200	-0.083
2,201 ~ 2,300	-0.087
2,301 ~ 2,400	-0.091
2,401 ~ 2,500	-0.096
2,501 ~ 2,600	-0.101
2,601 ~ 2,700	-0.106
2,701 ~ 2,800	-0.111
2,801 ~ 2,900	-0.117

Price : TYPE 1 - COUPLING MULLION UNIT

*The prices above represent the deducted amount from standard windows when configured as continuous units with a coupling mullion.

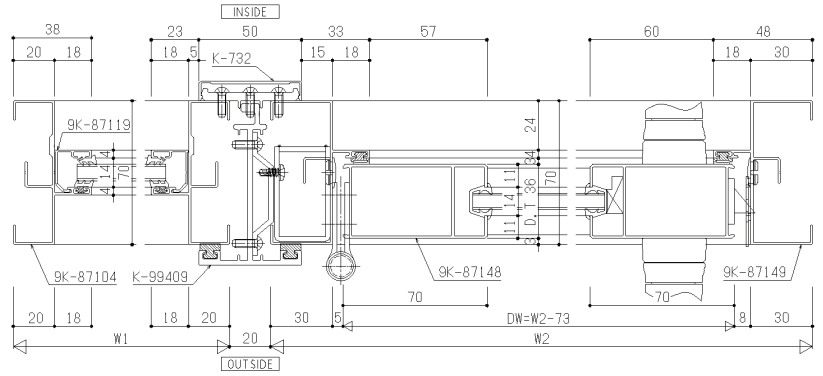
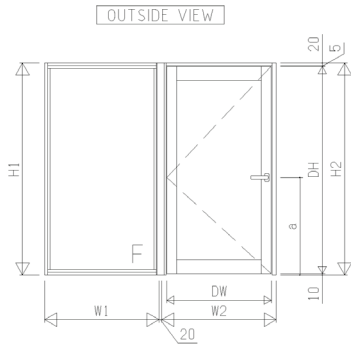
*Please check the price on the MADELA online system.

MULLION, T-MULLION

REFERENCE COMBINATION DRAWING

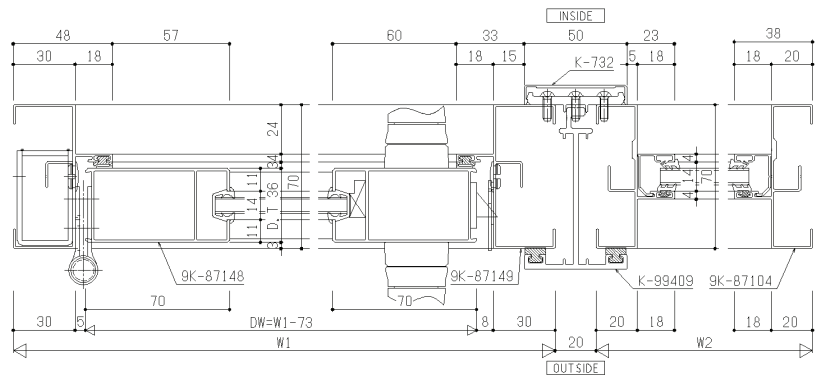
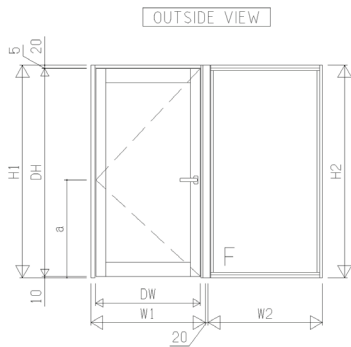
MADELA FIX + MADELA DOOR

HT (Hinge at T-Mullion)



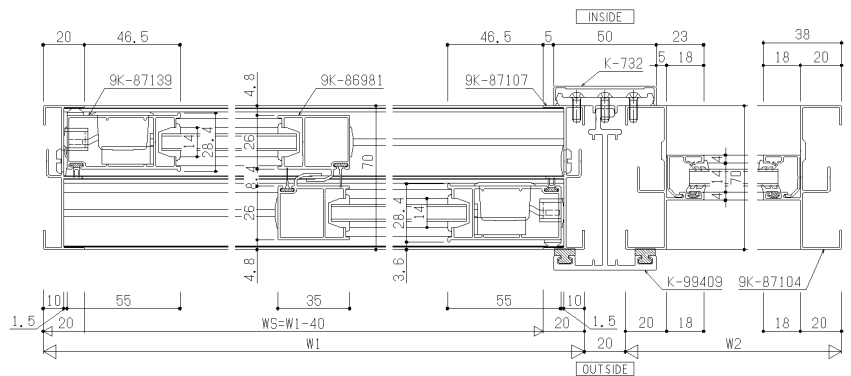
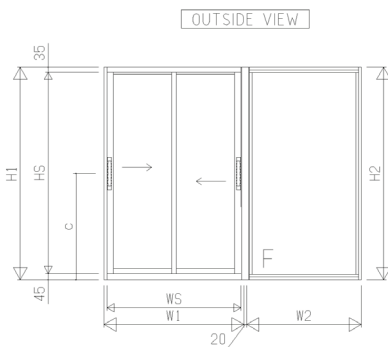
MADELA DOOR + MADELA FIX

T (T-Mullion)



MADELA SL + MADELA FIX

T (T-Mullion)

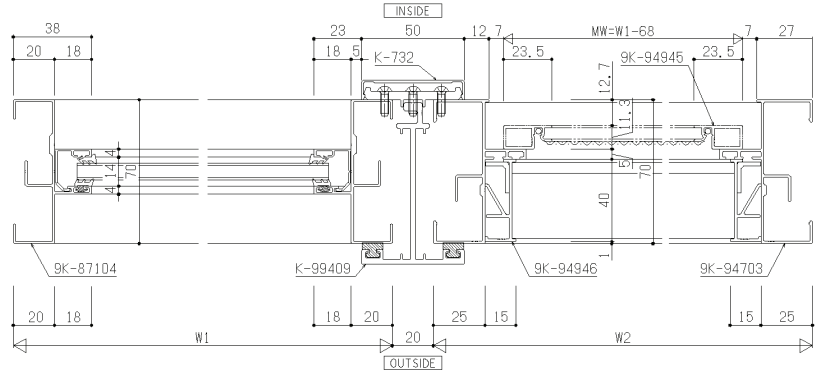
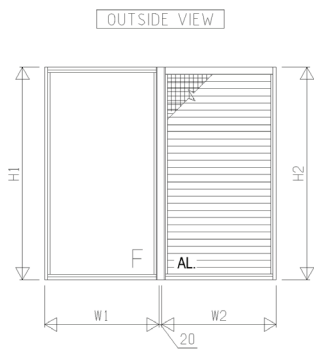


MULLION, T-MULLION

REFERENCE COMBINATION DRAWING

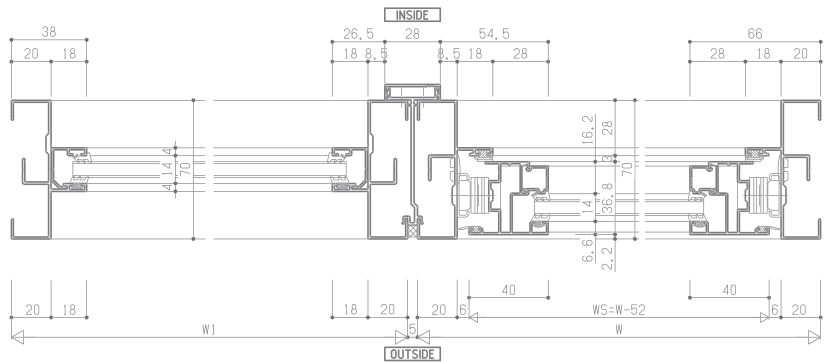
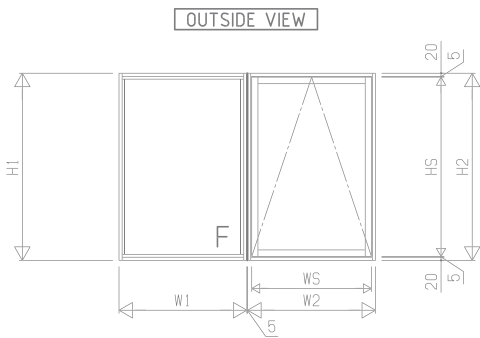
MADELA FIX + OTHER SERIES (NEXSTA LOUVER)

T (T-Mullion)



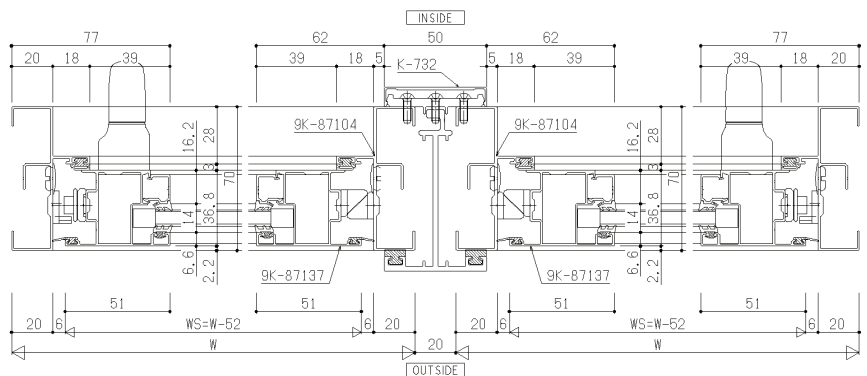
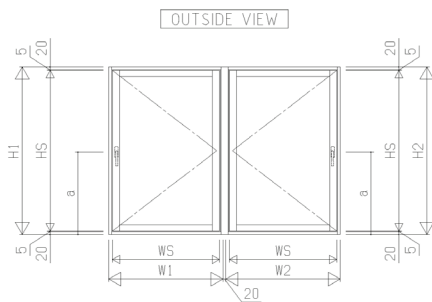
MADELA FIX + MADELA TH

M (Mullion)



MADELA CA + MADELA CA

T (T-Mullion)

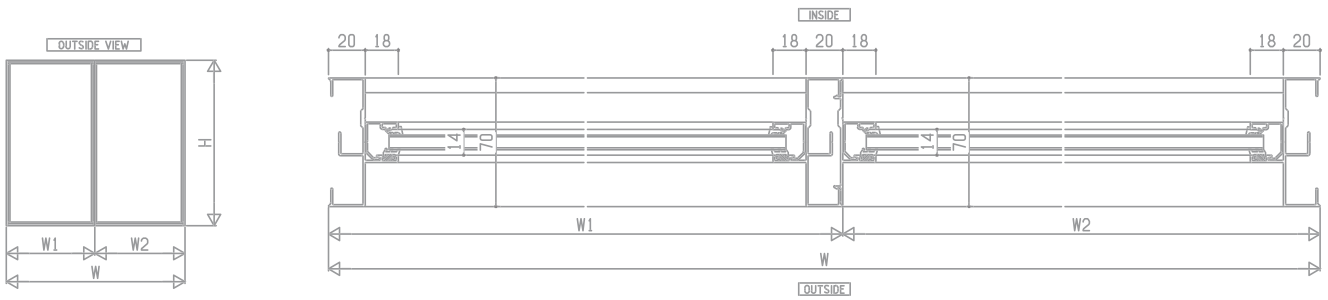


COUPLING MULLION

REFERENCE COMBINATION DRAWING

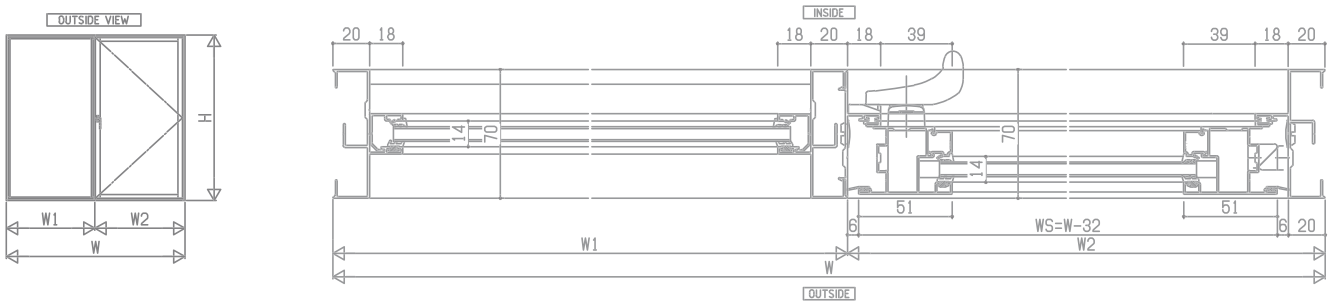
MADELA FIX + MADELA FIX

Coupling Mullion



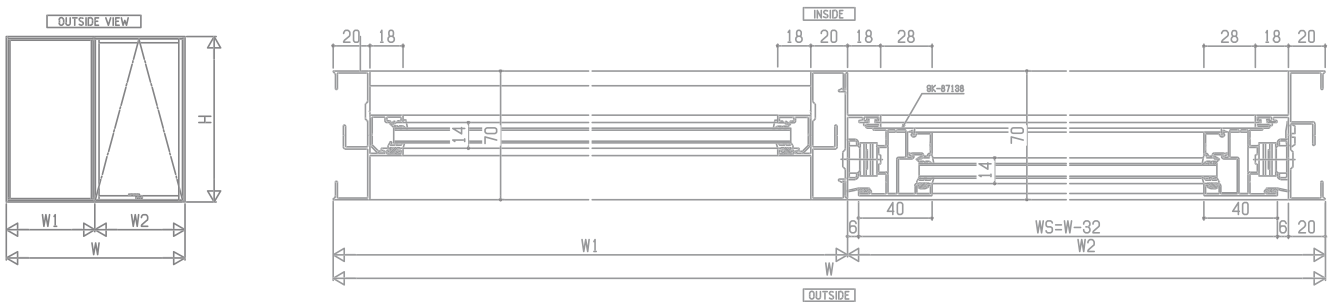
MADELA FIX + MADELA CASEMENT

Coupling Mullion



MADELA FIX + MADELA TOP HUNG

Coupling Mullion





MADELA

WINDOWS THAT MEET THE DEMANDS OF FUTURE HOUSING

PT YKK AP INDONESIA

Head Office & Factory

Kawasan Industri Manis
Jl. Manis Raya No.23, Ds. Kadu, Kec. Curug
Tangerang 15810, Banten, Indonesia
Tel: +62 21 591 9073
Fax: +62 21 591 9074
www.ykkap.co.id

Jakarta Sales & Marketing Office

Summitmas I Building
Jl. Jend. Sudirman Kav.61-62, 3rd Floor Jakarta
12190, Indonesia
Tel: +62 21 252 0745

Surabaya Branch Office

JAPFA INDOLAND CENTER
JAPFA TOWER I 6th Floor No.606-607
Jl. Jend. Basuki Rachmat 129-137 Surabaya 60271,
Jawa Timur, Indonesia
Tel: +62 31 535 1800 (Hunting)
Fax: +62 31 535 1700

YKK AP Vietnam Company Limited

Lot 5.2, 5th Leman Luxury Tower
117 Nguyen Dinh Chieu Street
Vo Thi Sau ward, District 3
Ho Chi Minh City, Vietnam
Tel: +84 8 3822 8900

YKK AP (THAILAND) CO., LTD.

Wave Place Building, 13th Floor No. 55
Wireless Road, Lumpini, Pathumwan
Bangkok 10330, Thailand
Tel: +66 2 655 6334
Fax: +66 2 655 6399



 www.ykkap.co.id



 [ykkapi_official](https://www.instagram.com/ykkapi_official)



ISSUE DATE JUN, 2025
PRINTED IN INDONESIA

C008-25JI-E-10



MADELA

WINDOWS THAT MEET THE DEMANDS OF FUTURE HOUSING

PT YKK AP INDONESIA

Head Office & Factory

Kawasan Industri Manis
Jl. Manis Raya No.23, Ds. Kadu, Kec. Curug
Tangerang 15810, Banten, Indonesia
Tel: +62 21 591 9073
Fax: +62 21 591 9074
www.ykkap.co.id

Jakarta Sales & Marketing Office

Summitmas I Building
Jl. Jend. Sudirman Kav.61-62, 3rd Floor Jakarta
12190, Indonesia
Tel: +62 21 252 0745

Surabaya Branch Office

JAPFA INDOLAND CENTER
JAPFA TOWER I 6th Floor No.606-607
Jl. Jend. Basuki Rachmat 129-137 Surabaya 60271,
Jawa Timur, Indonesia
Tel: +62 31 535 1800 (Hunting)
Fax: +62 31 535 1700

YKK AP Vietnam Company Limited

Lot 5.2, 5th Leman Luxury Tower
117 Nguyen Dinh Chieu Street
Vo Thi Sau ward, District 3
Ho Chi Minh City, Vietnam
Tel: +84 8 3822 8900

YKK AP (THAILAND) CO., LTD.

Wave Place Building, 13th Floor No. 55
Wireless Road, Lumpini, Pathumwan
Bangkok 10330, Thailand
Tel: +66 2 655 6334
Fax: +66 2 655 6399



 www.ykkap.co.id



 [ykkapi_official](https://www.instagram.com/ykkapi_official)



ISSUE DATE JUL, 2025
PRINTED IN INDONESIA

C008-25JI-E-10

DOUBLE DOOR (WITH SILL)



With Sill
With Lockset

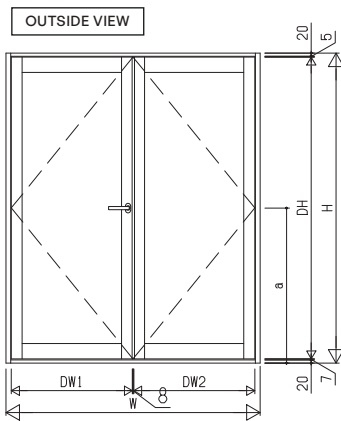
Performance

Structural (Wind Load)	600 Pa
Water Tightness	100 Pa
Sound Insulation	-

Glass

Glass Size	Qty	Thickness
(W/2-165)(H-238)	1	5,6,8

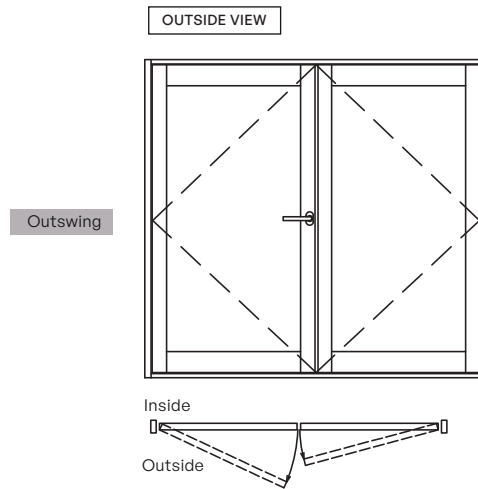
Standard Specifications



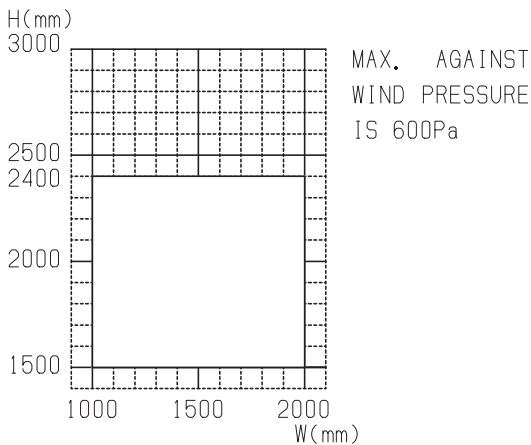
*Outswing (R)

Handle Height : a = 1000

Variation



Size Limitation



DOUBLE DOOR (WITH SILL)

PRICE LIST

Juta Rp

DOUBLE DOOR

FRAME AND INNER PRICE

W (mm) \ H (mm)	H (mm)										
	1,000	1,001-1,100	1,101-1,200	1,201-1,300	1,301-1,400	1,401-1,500	1,501-1,600	1,601-1,700	1,701-1,800	1,801-1,900	1,901-2,000
1,500	3.70	3.75	3.81	3.86	3.92	3.98	4.03	4.09	4.15	4.20	4.26
1,501 ~ 1,600	3.78	3.84	3.89	3.95	4.00	4.06	4.11	4.17	4.23	4.28	4.34
1,601 ~ 1,700	3.86	3.92	3.97	4.03	4.08	4.14	4.19	4.25	4.31	4.36	4.42
1,701 ~ 1,800	3.94	4.00	4.05	4.11	4.17	4.22	4.28	4.33	4.39	4.44	4.50
1,801 ~ 1,900	4.02	4.08	4.14	4.19	4.25	4.30	4.36	4.41	4.47	4.52	4.58
1,901 ~ 2,000	4.11	4.16	4.22	4.27	4.33	4.38	4.44	4.50	4.55	4.61	4.66
2,001 ~ 2,100	4.19	4.24	4.30	4.35	4.41	4.47	4.52	4.58	4.63	4.69	4.74
2,101 ~ 2,200	4.27	4.33	4.38	4.44	4.49	4.55	4.60	4.66	4.71	4.77	4.83
2,201 ~ 2,300	4.35	4.41	4.46	4.52	4.57	4.63	4.68	4.74	4.80	4.85	4.91
2,301 ~ 2,400	4.43	4.49	4.54	4.60	4.66	4.71	4.77	4.82	4.88	4.93	4.99

* This price does not include glass, assembling fee, delivery fee and installation fee.

HANDLE SET PRICE

For the specifications with Handle set, 0.4 juta/set will be added to the door price frame and inner frame.

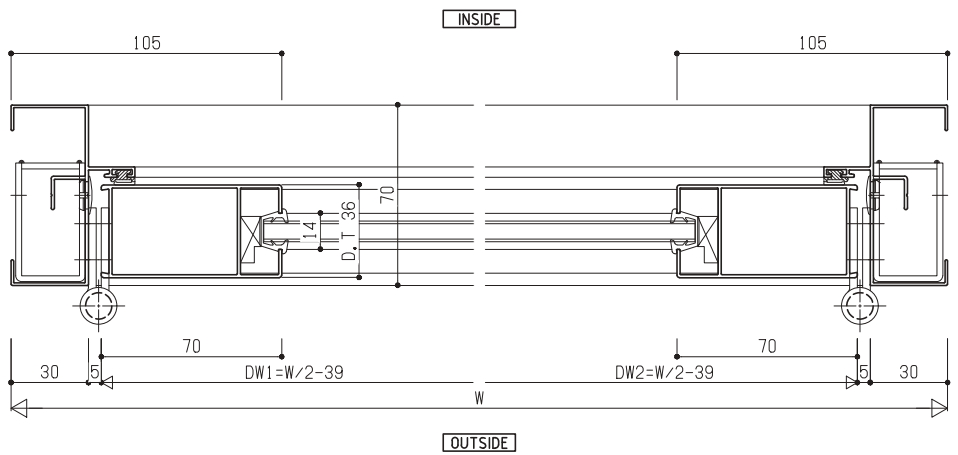
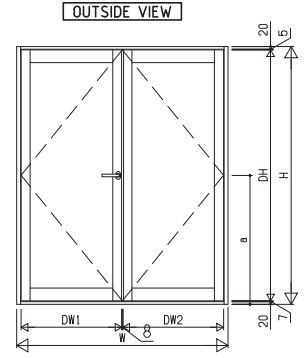
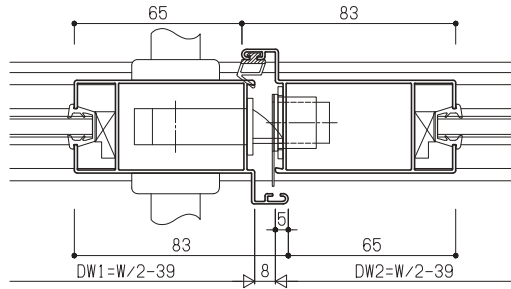
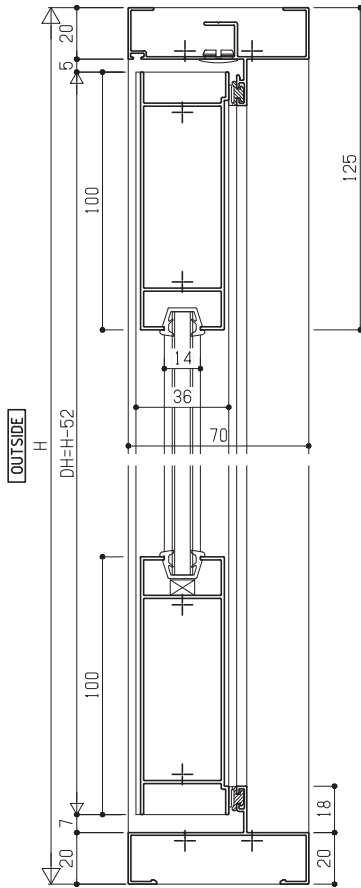
Handle set preview



DOUBLE DOOR (WITH SILL)

SYSTEM DRAWING

OUTSWING



FIX/DOUBLE DOOR (WITH SILL)



With Sill
With Lockset

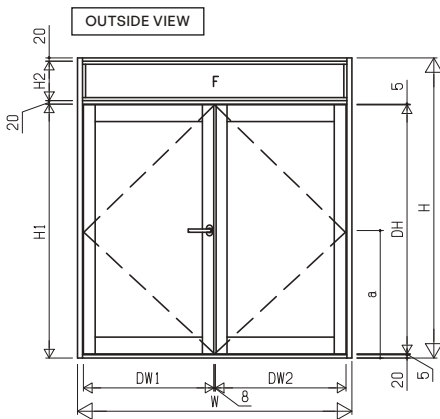
Performance

Structural (Wind Load)	600 Pa
Water Tightness	100 Pa
Sound Insulation	-

Glass

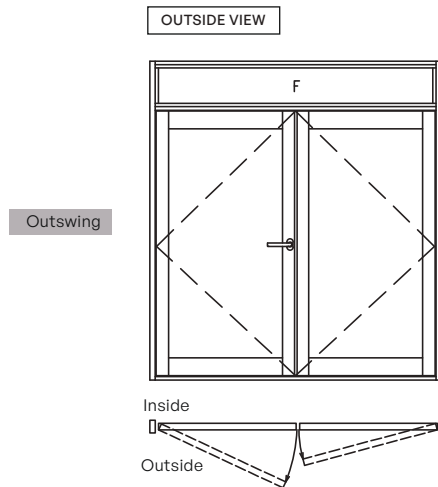
	Glass Size	Qty	Thickness
Door	(W/2-165)(H1-198)	1	5,6,8
FIX	(W-82)(H2-22)	1	5,6,8

Standard Specifications

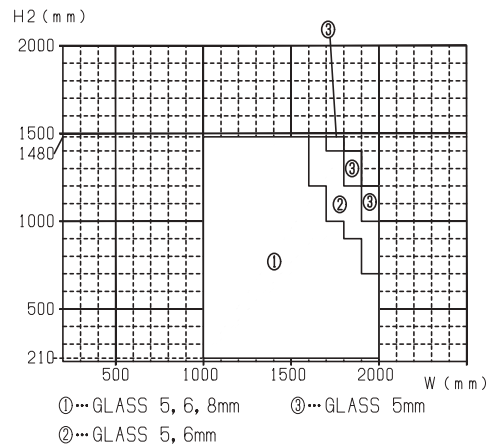
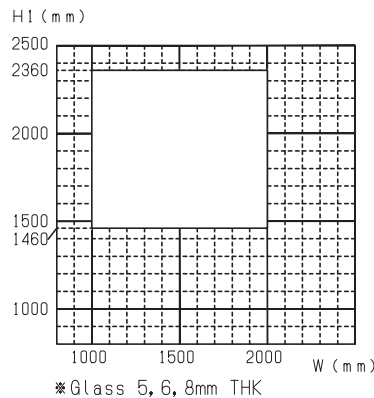
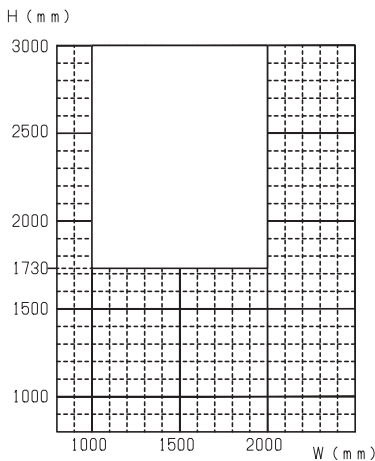


*Outswing (R)
Handle Height : a = 1000

Variation



Size Limitation



FIX/DOUBLE DOOR (WITH SILL)

PRICE LIST

FIX/DOUBLE DOOR (WITH SILL)

SYSTEM DRAWING

OUTSWING

